

11/22/2017 10:46:59 AM

G:\TORRID\17121... caddins\lci #56777... acadiana mall #56777... drawings\work in progress\17121.044 a6 STT ELEV.dwg

**CMA**  
architecture - planning - interior design  
C.M. ARCHITECTURE, P.A.  
A PROFESSIONAL ARCHITECTURAL CORPORATION  
800 WASHINGTON AVENUE, SUITE 208  
MINNEAPOLIS, MN 55401-4848  
PHONE: (612) 547-1100  
FAX: (612) 547-1100  
CONTACT: KELL GIVEN  
k.given@cmaarch.com

CONSULTANTS:  
MEP ENGINEER:  
AEDIFICA CASE  
796 MERUS COURT  
ST. LOUIS, MO 63026  
PH: (636) 349-1600

SEAL:  
  
PATRICK G. BLEES, ARCHITECT  
SIGNATURE \_\_\_\_\_  
DATE ISSUED 11.2.17  
REG. NO. 6140

**TORRID**  
ACADIANA MALL  
5725 JOHNSTON STREET  
LAFAYETTE, LA  
70503  
SPACE #B-115  
NEW MALL A

SHEET TITLE:  
STOREFRONT SECTIONS  
& DETAILS

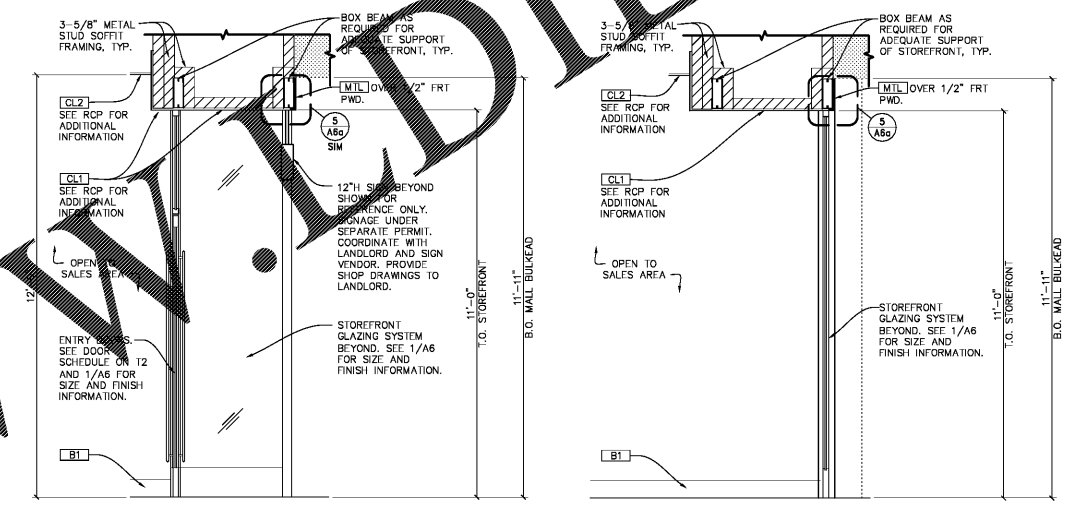
REVISIONS:

NO.	DATE:	BY:

PROJECT NO: 17121.044  
DRAWN BY: ABS

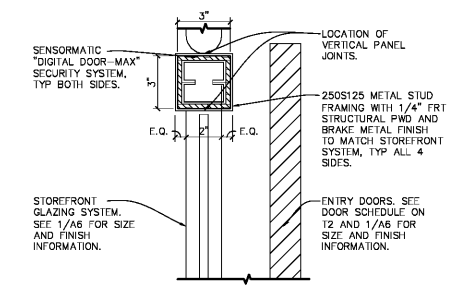
A6a

COPYRIGHT C.M. ARCHITECTURE, P.A. 2017

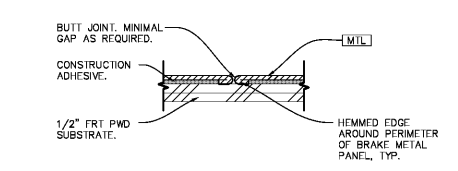


1 SECTION THRU ENTRY DOORS  
A6a SCALE 1/2" = 1'-0"

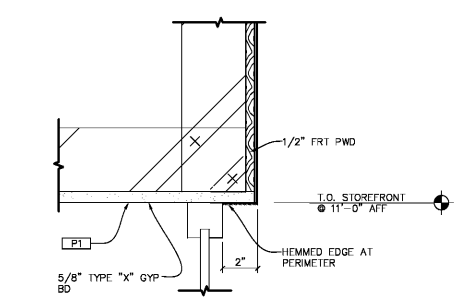
2 SECTION THRU GLAZING  
A6a SCALE 1/2" = 1'-0"



3 COLUMN AT STOREFRONT ENTRY  
A6a SCALE 3" = 1'-0"



4 SEAM DETAIL  
A6a SCALE 6" = 1'-0"



5 SEAM DETAIL  
A6a SCALE 3" = 1'-0"

Order Plans @ WWW.TorridLine.com