

NOTES:

1. CUT BOTTOM OF STANDARDS AS REQ IN FIELD.
2. PAINT SCREWS ON STANDARDS TO MATCH ADJACENT WALL.
3. HAND ACTIVATED DOOR OPENING HARDWARE TO BE MOUNTED AT 38" AFF. SEE DOOR AND HARDWARE SCHEDULE ON 12.
4. SEE A4 FOR MORE INFORMATION ON FIXTURES.
5. CAULK FIXTURES TO WALL USING CLEAR CAULK.

CMA
 architecture • planning • interior design
 C.M. ARCHITECTURE, P.A.,
 A PROFESSIONAL ARCHITECTURAL CORPORATION
 800 WASHINGTON AVE. SUITE 200
 MINNEAPOLIS, MN 55401-2005
 PHONE: (612) 547-1300
 FAX: (612) 547-1300
 CONTACT: KELLY JIVENS
 karrid@cma.com

5677

CONSULTANTS:

MEP ENGINEER:
 AEDIFICA CASE
 796 MERUS COURT
 ST. LOUIS, MO 63026
 PH: (636) 349-1600

SEAL:

PATRICK G. BLEES, ARCHITECT

SIGNATURE: _____
 DATE ISSUED: 11.2.17
 REG. NO. 6140

TORRID

ACADIANA MALL
 5725 JOHNSTON STREET
 LAFAYETTE, LA
 70503
 SPACE #B-115
 NEW MALL A

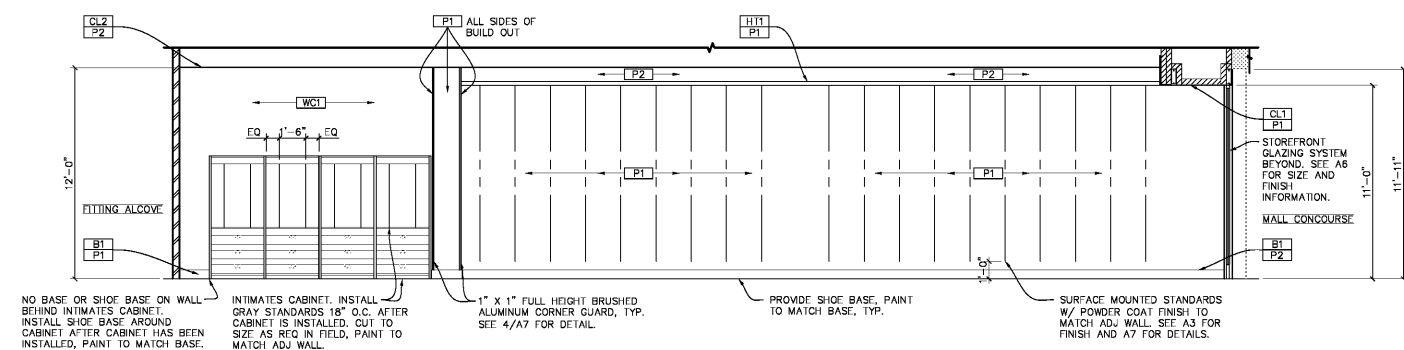
SHEET TITLE:
 INTERIOR ELEVATIONS -
 SALES AREA

REVISIONS:

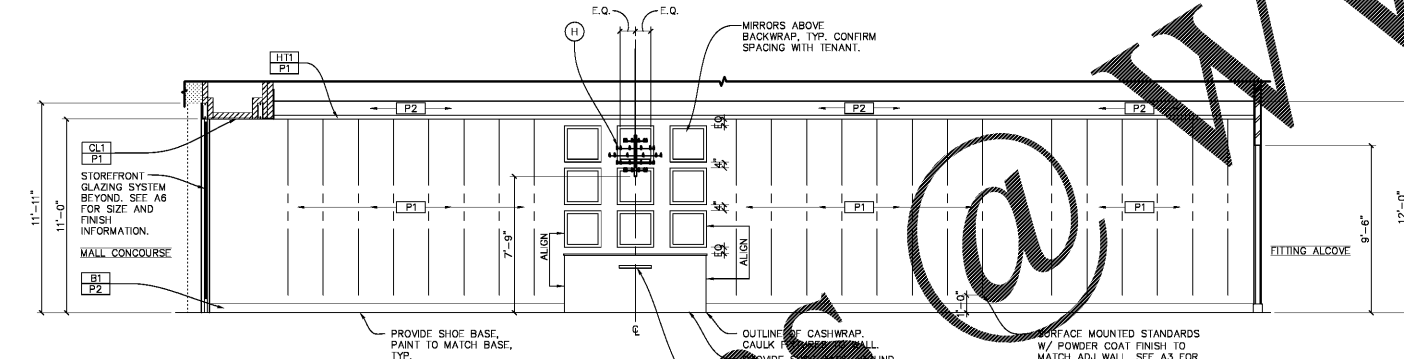
NO.	DATE:	BY:

PROJECT NO: 17127.044
 DRAWN BY: ABS

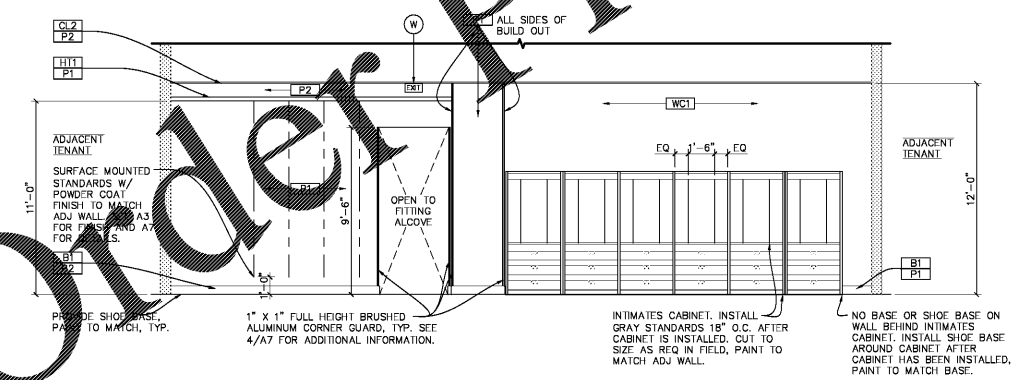
A5



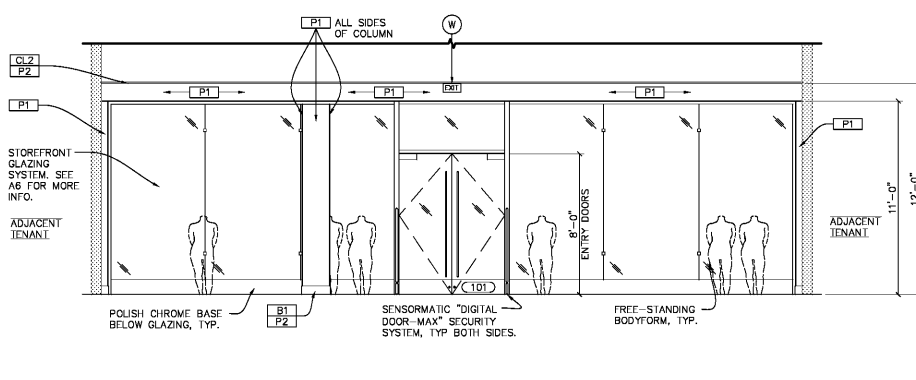
1 SALES ELEVATION
 A5 SCALE: 1/4" = 1'-0"



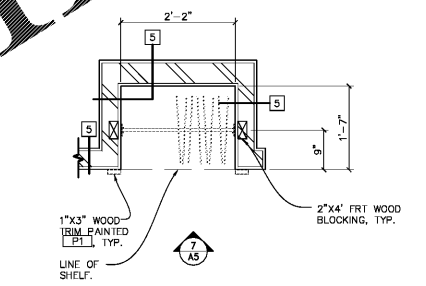
2 SALES ELEVATION
 A5 SCALE: 1/4" = 1'-0"



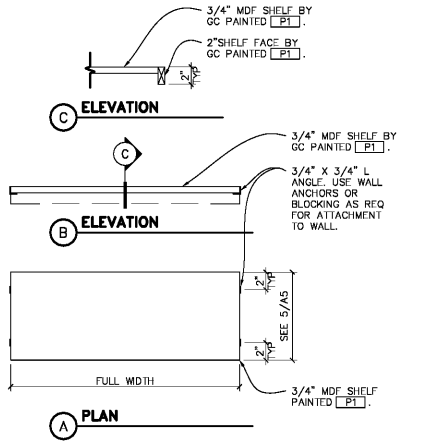
3 SALES ELEVATION
 A5 SCALE: 1/4" = 1'-0"



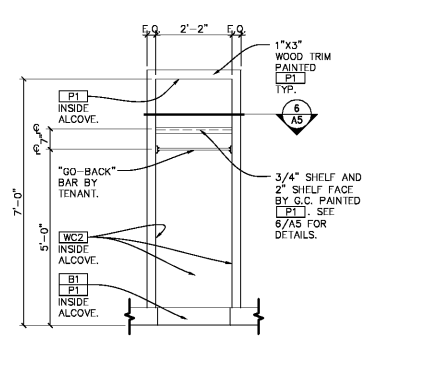
4 SALES ELEVATION
 A5 SCALE: 1/4" = 1'-0"



5 GO-BACK BAR
 A5 SCALE 3/4" = 1'-0"



6 SHELF AT GO-BACK BAR
 A5 SCALE 1 1/2" = 1'-0"



7 GO-BACK BAR
 A5 SCALE 1/2" = 1'-0"