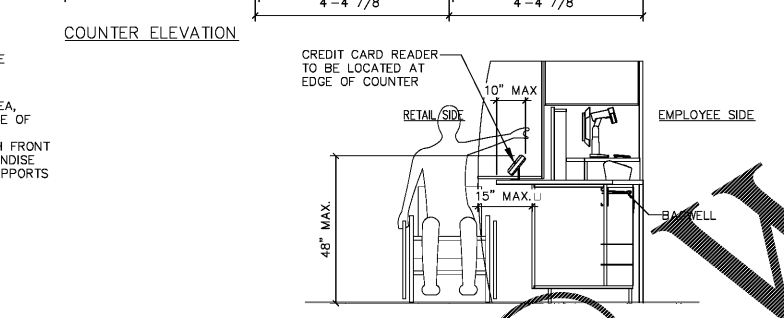
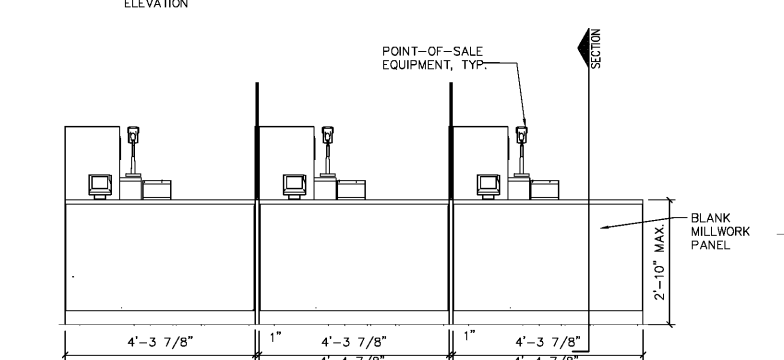
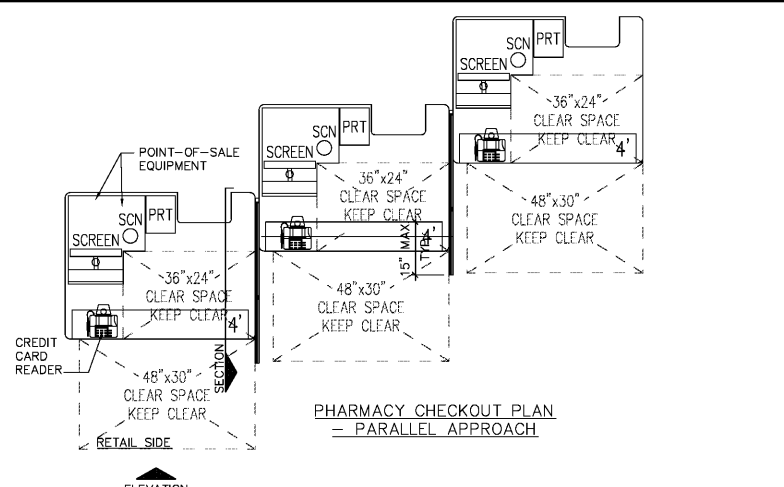
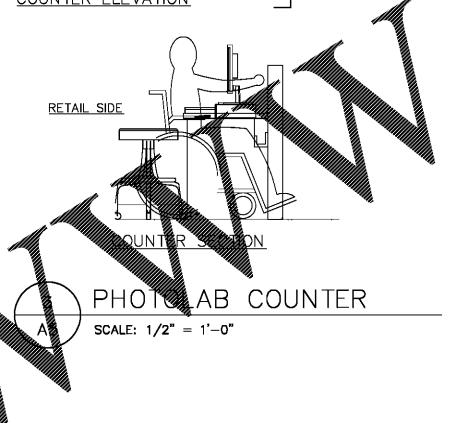
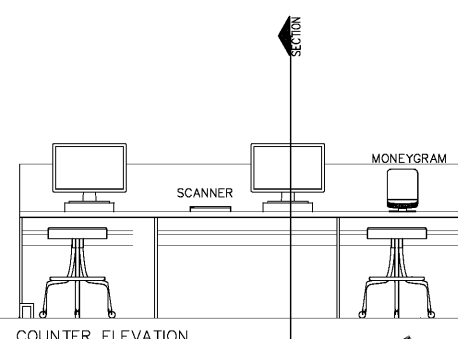
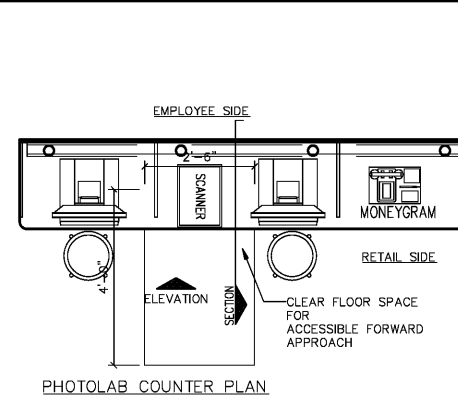


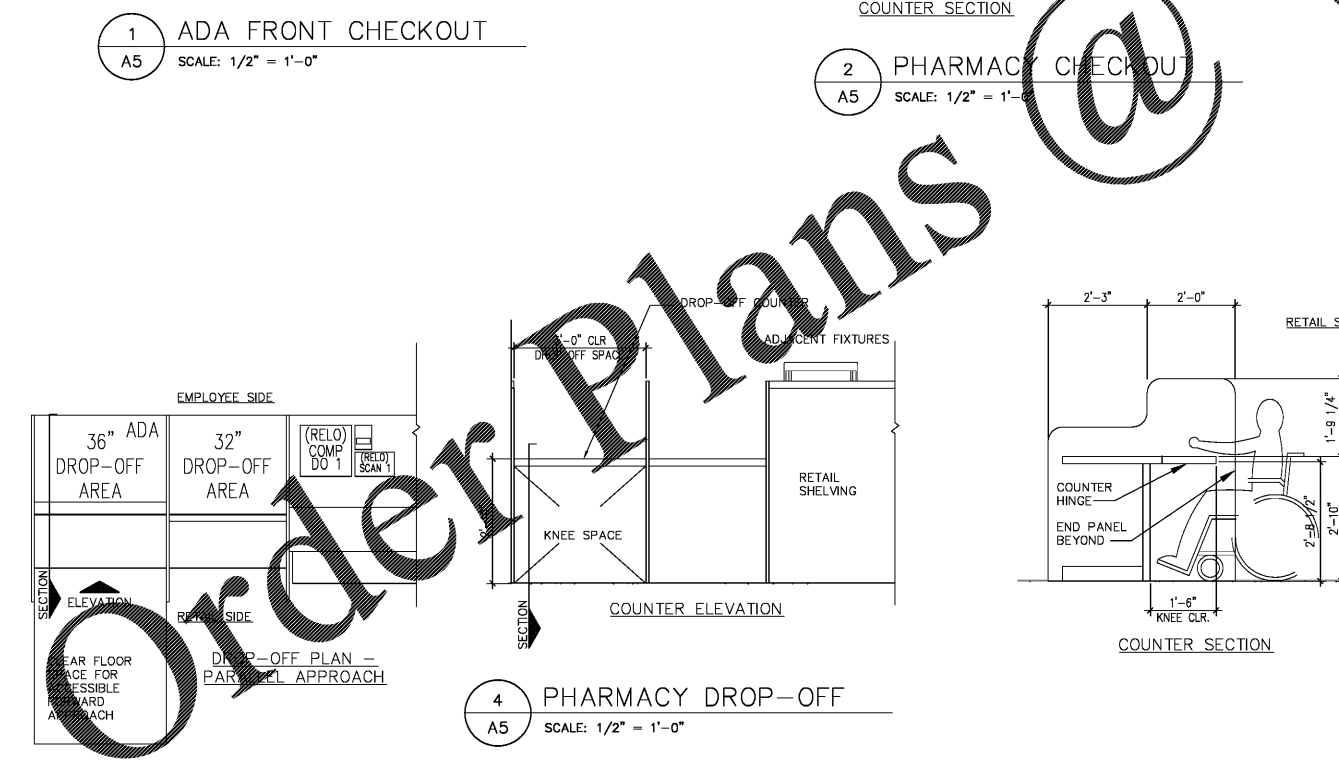
1 ADA FRONT CHECKOUT
A5 SCALE: 1/2" = 1'-0"



2 PHARMACY CHECKOUT
A5 SCALE: 1/2" = 1'-0"



3 PHOTOLAB COUNTER
A5 SCALE: 1/2" = 1'-0"



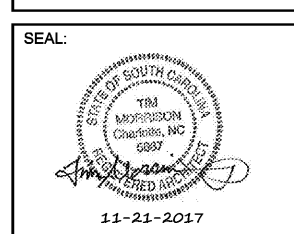
4 PHARMACY DROP-OFF
A5 SCALE: 1/2" = 1'-0"

INTERIOR FINISH SCHEDULE					
TAG	MATERIAL / DESCRIPTION	MFR.	STYLE / CAT. NO.	COLOR	NOTES
ACOUSTICAL					
A1	CEILING TILE	ARMSTRONG	769	WHITE	2 x 4 PANELS
FLOORING					
FF1	MODULAR CARPET	INTERFACE	B0300	#3055 SLATE	QUARTER TURN. REFER TO CARPET TILE SPEC.
FF10	MODULAR CARPET	INTERFACE	19DF302500 CUSTOM	#180527	QUARTER TURN. REFER TO CARPET TILE SPEC.
FF11	MODULAR CARPET	INTERFACE	19DF302500 CUSTOM	#180191	QUARTER TURN. REFER TO CARPET TILE SPEC.
FF14	MODULAR CARPET	INTERFACE	DECO-RIB 62301	#602371 ANTHRACITE	REFER TO CARPET TILE SPEC. RIBBED ENTRANCE TILES
FF18	RUBBER WALL BASE	BURKEMERCER	4GL COVE	701 BLACK	
FF17	RUBBER WALL BASE	BURKEMERCER	6GL COVE	701 BLACK	
FF18	MODULAR CARPET	INTERFACE	1466802500 SAN ROCCO	8883 GRIGIO	REFER TO CARPET TILE SPEC. CUSHIONBAC & BACKING
FF22	VINYL TILE	FLOORWORKS PLANK	W7550	GRAY ASH	
GLAZING					
G1	1" INSUL GLASS	PPG	SOLARBAN 60 LOW-E GLASS	CLEAR +	GLAZING TO COMPLY TO IBC/IECC CLIMATE ZONE U-FACTOR AND SIGC STANDARDS
G2	1/4" LAMINATED GLASS				
G3	BULLET RESISTIVE GLASS				
G4	1/4" FLOAT GLASS				
G5	1/4" TRANSPARENT MIRROR GLASS	PILKING	MIRROPANE T.M.	GREY	GO TO INSTALL GLAZING IN FIELD. DOOR SUPPLIED BY DOOR SUPPLIER
G6	1/2" INSUL GLASS	PPG	SOLARBAN 60 LOW-E GLASS	CLEAR + CLEAR	GLAZING TO BE TEMPERED (IF APPLICABLE) AND COMPLY TO IBC/IECC CLIMATE ZONE, U-FACTOR AND SIGC STANDARDS
LAMINATE					
PL3	LAMINATE	FORMICA	187 HW	FOLK STONE	SUPPLIED BY MILLWORK VENDOR INSTALLED BY CONTRACTOR. HORIZONTAL SURFACES ONLY. GRAIN RUNS VERTICALLY
PL7	LAMINATE HIGH PRESSURE	WILSONART	4940K-18	ASTRO STRANZ	SUPPLIED BY MILLWORK VENDOR. INSTALLED BY CONTRACTOR. VERTICAL SURFACES ONLY. GRAIN RUNS VERTICALLY
PL8	LAMINATE	WILSONART	4942-38 HW	CRISP LINEN	SUPPLIED BY MILLWORK VENDOR. INSTALLED BY CONTRACTOR. HORIZONTAL SURFACES ONLY
PL9	LAMINATE	WILSONART	1595-60	BLACK MATTE	SUPPLIED BY MILLWORK VENDOR. INSTALLED BY CONTRACTOR. SPECIALTY BEAUTY FIXTURES, COOLER AREA
PL10	LAMINATE	WILSONART	D431-60 HW	ALABASTER MATTE	SUPPLIED BY MILLWORK VENDOR. INSTALLED BY CONTRACTOR. RETAIL END BOXES AND FILLER BOXES
PAINTS / SEALANTS					
PT1	PAINT	BENJAMIN MOORE	PM-13	ATRIUM WHITE/A.K.A. ALABASTER	ECOSPEC 374, 2 COATS, WALL/TRIM PAINT, EGGSHHELL FINISH
PT3	PAINT	BENJAMIN MOORE	2137 - 60	GRAY OWL	ECOSPEC 374, 2 COATS, WALL/TRIM PAINT, EGGSHHELL FINISH
PT6	CONCRETE SEALER	THE EUCLID CHEMICAL CO.	FUCO DIAMOND HARD	CLEAR	2 COATS
PT8	PRIMER	NU-BRITE/MURALC	8400/CLEAR		
PT9	PAINT	CORONADO	SUPER KOTE 5000 66 LINE	YELLOW	APPLY PAINT STRIPING BEFORE APPLYING CONCRETE SEALER
PT20	PAINT	BENJAMIN MOORE	961	WINDS BREATH	ECOSPEC 374, 2 COATS, WALL/TRIM PAINT, EGGSHHELL FINISH
PT22	PAINT	BENJAMIN MOORE	405	PERENNIAL	ECOSPEC 374, 2 COATS, WALL/TRIM PAINT, EGGSHHELL FINISH
PT23	PAINT	BENJAMIN MOORE	779	FAIRVIEW BLUE	ECOSPEC 374, 2 COATS, WALL/TRIM PAINT, EGGSHHELL FINISH
PT24	PAINT	BENJAMIN MOORE	2001-10	RUBY RED	ECOSPEC 374, 2 COATS, WALL/TRIM PAINT, FLAT FINISH
PT25	STAIN	MINWAX	WOOD FINISH	PICKLED OAK 260	2 COATS
WALL COVERING					
W1	1/2" FR PWD			UNPAINTED	
W2	WATERPROOF WALL PANEL	MARLITE	P-100	WHITE	
W10	VINYL WALL COVERING	WOLF GORDON	10686434		WG 10625616 TERMINATION STRIP, 12" LENGTH, 3/4" WITH 3/16" RETURN
W11	VINYL WALL COVERING	WOLF GORDON	10625616		WG 10625616 TERMINATION STRIP, 12" LENGTH, 3/4" WITH 3/16" RETURN
W12	VINYL WALL COVERING	PRATT	GRAPHIC		PHARMACY WAITING
W14	VINYL WALL COVERING	PRATT	GRAPHIC		FOOD
W18	ACROVYN CHAIR RAIL	IMPACT SPECIALTIES	FR-125N SHADOWGRAIN TEXTURE	1035 CLAMSHELL	PROVIDE ALL MOUNTING HARDWARE, END CAPS & OUTSIDE CORNERS, DETAIL 5/A3

ROOM FINISH SCHEDULE									
ROOM NAME	Wall 1	Wall 2	Wall 3	Wall 4	FLOOR FINISH	BASE	CEILING FINISH	CEILING HEIGHT	REMARKS
RETAIL	PT20	PT20	PT20	PT20	FF1	FF16	EXISTING	EXISTING	Rx VALANCE FACE AND UNDERSIDE PT24
CHECKOUT	PT20	---	---	---	FF18	FF16	EXISTING	EXISTING	
PHOTOLAB	PT20	---	---	---	FF1	FF16	EXISTING	EXISTING	
PHARMACY	PT20	PT23	PT23	PT23	FF18	FF16	EXISTING	EXISTING	UNDERSIDE OF Rx VALANCE PT24
Rx WAITING	PT1 W12	---	---	---	FF1	FF16	EXISTING	EXISTING	



STORE NUMBER: 5553
1401 BEN SAWYER BOULEVARD
MT. PLEASANT, SC 29464
PROJECT TYPE: ADA and THH
DEAL TYPE:
CS PROJECT NUMBER: 106857



REVISIONS:

CVS PROJECT MANAGER: TS
DRAWING BY: JAC
DATE: 10-23-2017
JOB NUMBER: 121-7815-08
TITLE:

DETAILS & SCHEDULES
SHEET NUMBER: A5
COMMENTS: