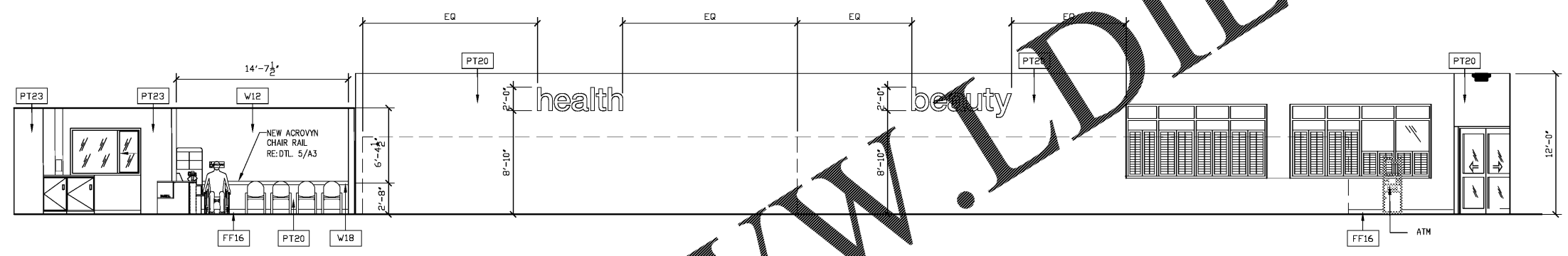
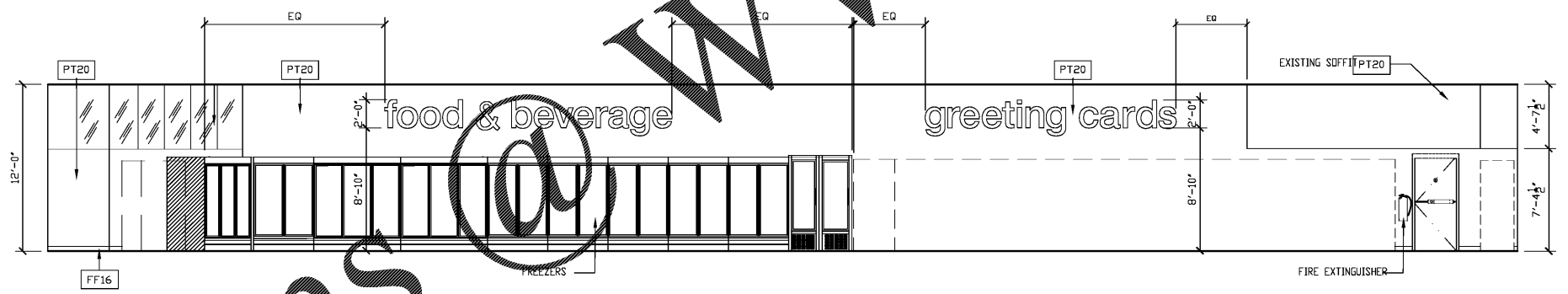


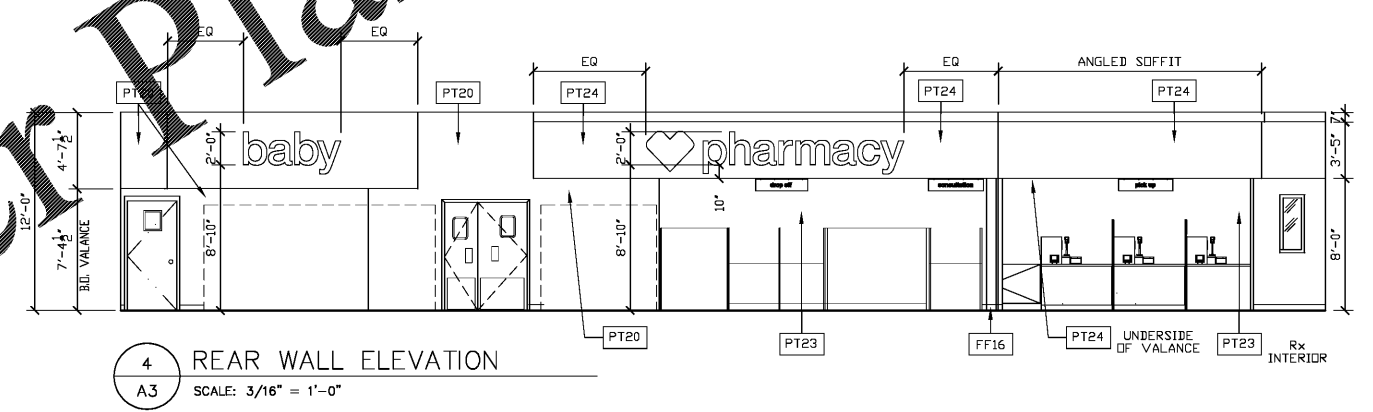
1 FRONTWALL ELEVATION
A3 SCALE: 3/16" = 1'-0"



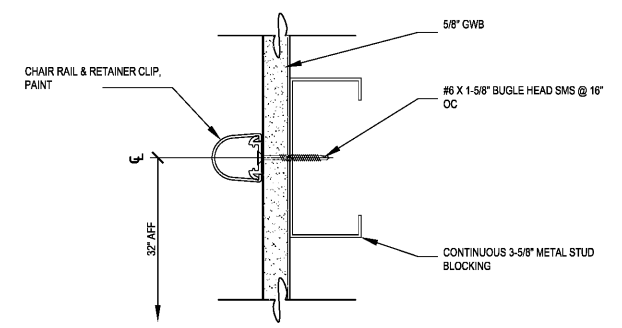
2 RIGHT SIDEWALL ELEVATION
A3 SCALE: 3/16" = 1'-0"



3 LEFT SIDEWALL ELEVATION
A3 SCALE: 3/16" = 1'-0"



4 REAR WALL ELEVATION
A3 SCALE: 3/16" = 1'-0"



5 CHAIR RAIL DETAIL
A3 SCALE: 1/2" = 1'-0"



STORE NUMBER: 5553
401 BEN SAWYER BOULEVARD
MT. PLEASANT, SC 29464
PROJECT TYPE: ADA and THH
DEAL TYPE:
CS PROJECT NUMBER: 106857

ARCHITECT OF RECORD

www.littleonline.com

This drawing and the design herein are the property of Little Online, Inc. No reproduction, copying or other use of this drawing without their written consent is permitted and any infringement will be subject to legal action. © Little Online 2017

CONSULTANT:

DEVELOPER:

SEALED

REVISIONS:

CVS PROJECT MANAGER: TS
DRAWING BY: JAC
DATE: 10-23-2017
JOB NUMBER: 121-7815-08

TITLE:
INTERIOR ELEVATIONS

SHEET NUMBER:
A3

COMMENTS:

Order Plans @

WWW.LDILine.com