

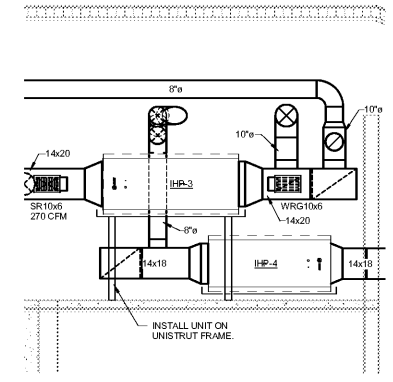
2701 1st Avenue S
 Birmingham, AL 35233
 T 205.879.4482
 GMCNETWORK.COM

ISSUE DATE	ISSUE
11/30/2017	BID ISSUE

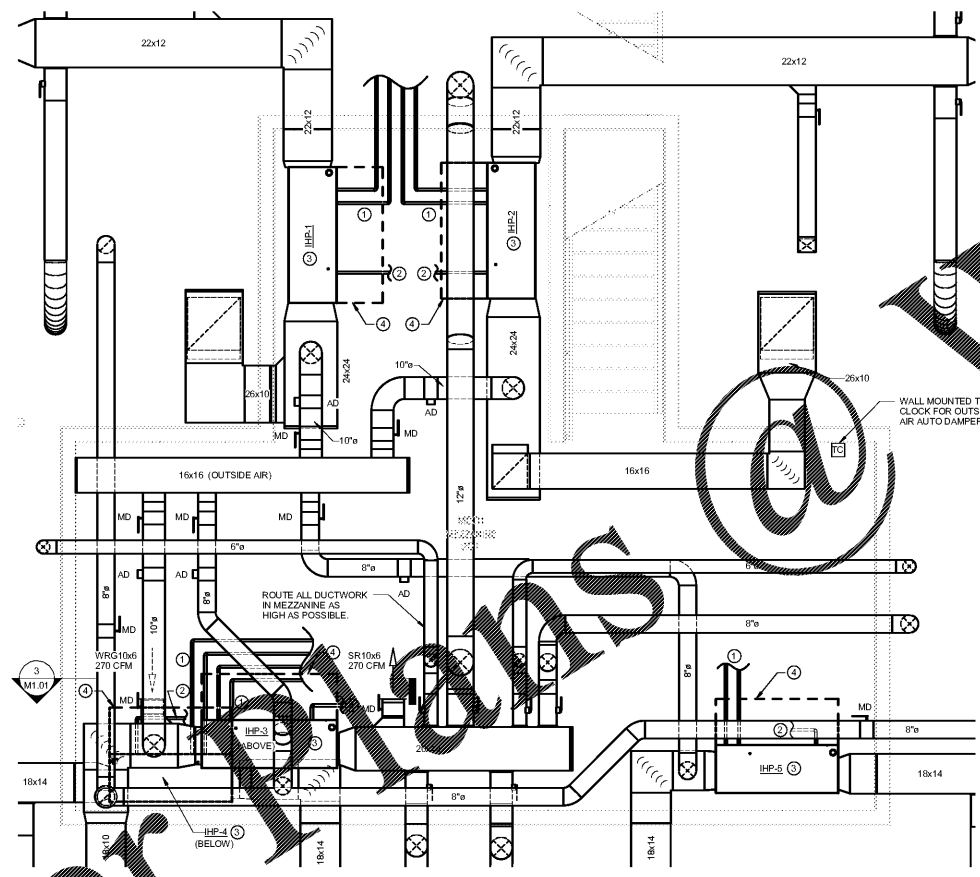
Oneonta Community Development
 Center
 100 1st Ave W.
 Oneonta, AL 35121
 GMC # ABHM170022



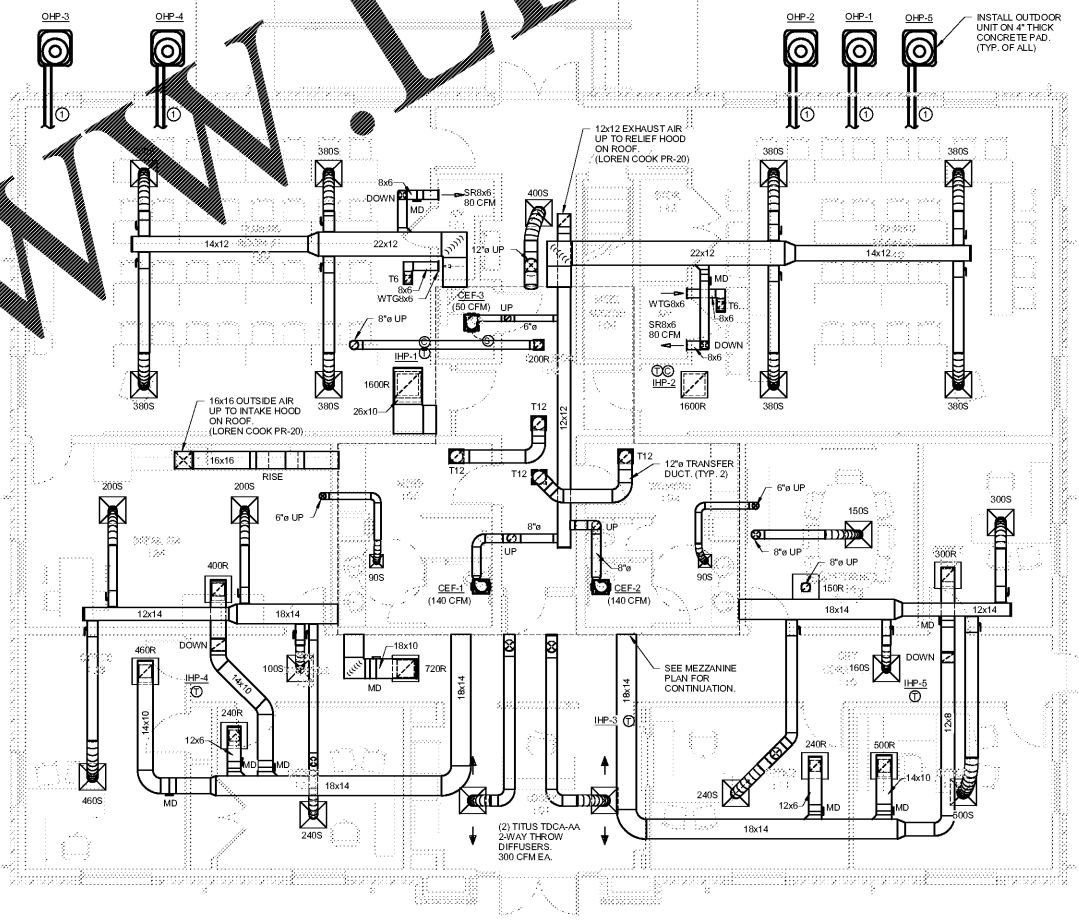
HVAC - FLOOR PLANS
 M1.01
 sheet of



3 SECTION AT IHP-3 & IHP-4
 SCALE: 3/8" = 1'-0"



2 HVAC - MEZZANINE FLOOR PLAN
 SCALE: 3/8" = 1'-0"



1 HVAC - FIRST FLOOR
 SCALE: 3/8" = 1'-0"

- KEYED NOTES**
- REFRIGERANT PIPING, SIZE AND ROUTE PER MANUFACTURER'S RECOMMENDATIONS. ROUTE FROM INDOOR UNIT IN MEZZANINE ABOVE CEILING, DOWN IN WALL, AND OUT TO RESPECTIVE OUTDOOR UNIT. PROVIDE PIPE SLEEVE AT WALL PENETRATION.
 - 1" DRAIN WITH TRAP (SEE DETAIL ON M1.02). ROUTE AND SLOPE TO FLOOR DRAIN. INSULATE ALL DRAIN PIPING WITH 3/4" ARMAFLEX.
 - INSTALL AC UNIT IN AUXILIARY DRAIN PAN (SEE DETAIL ON M1.02).
 - PROVIDE MINIMUM SERVICE CLEARANCE.

Order Plans