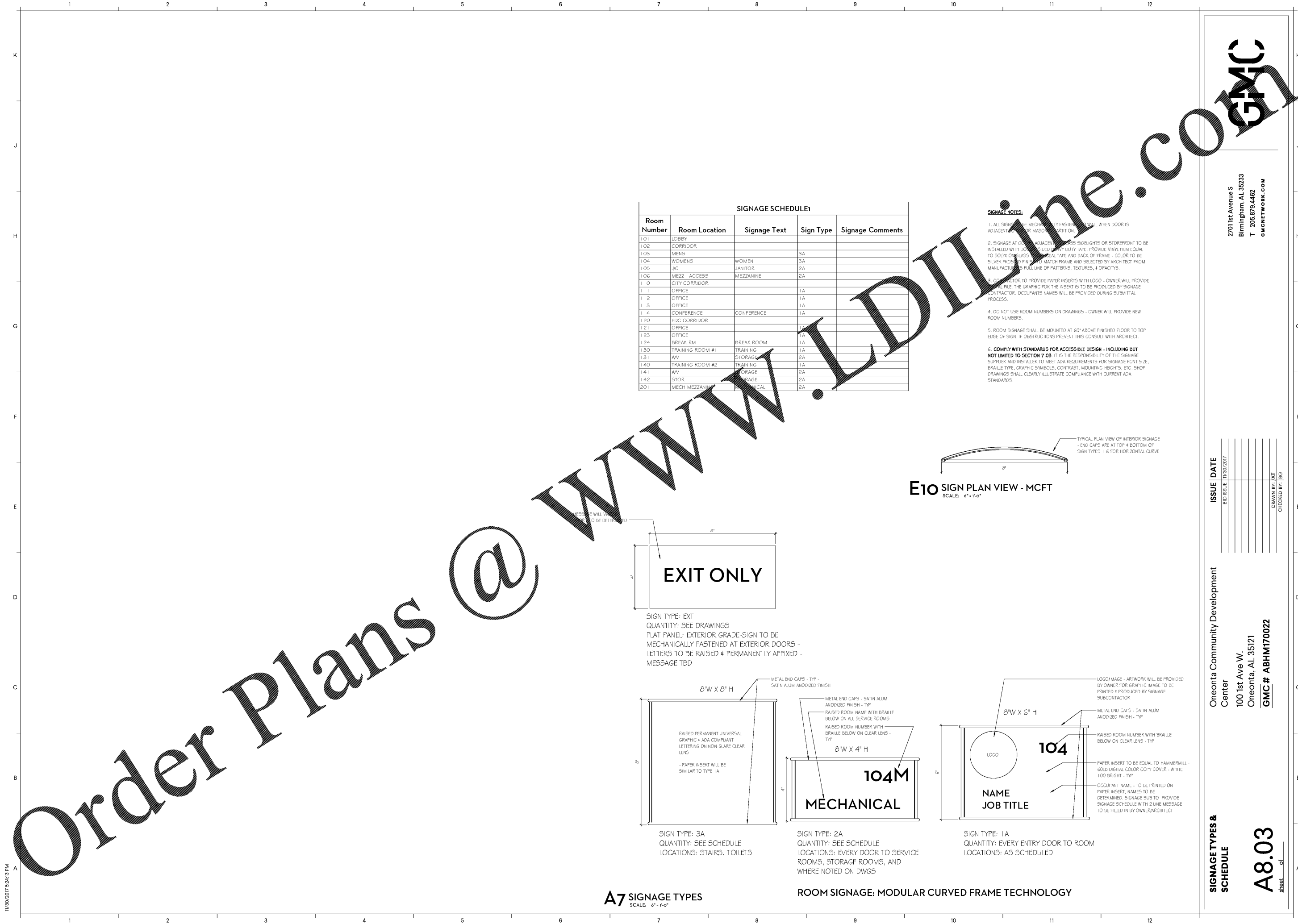
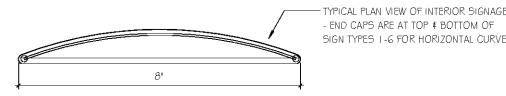


11/30/2017 5:24:13 PM

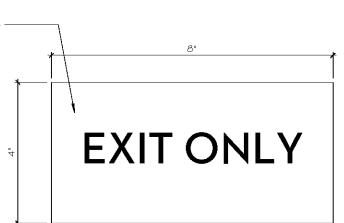


SIGNAGE SCHEDULE				
Room Number	Room Location	Signage Text	Sign Type	Signage Comments
101	LOBBY			
102	CORRIDOR			
103	MENS		3A	
104	WOMENS	WOMEN	3A	
105	JIC	JANITOR	2A	
106	MEZZ ACCESS	MEZZANINE	2A	
110	CITY CORRIDOR			
111	OFFICE		1A	
112	OFFICE		1A	
113	OFFICE		1A	
114	CONFERENCE	CONFERENCE	1A	
120	EDC CORRIDOR			
121	OFFICE		1A	
123	OFFICE		1A	
124	BREAK RM	BREAK ROOM	1A	
130	TRAINING ROOM #1	TRAINING	1A	
131	AV	STORAGE	2A	
140	TRAINING ROOM #2	TRAINING	1A	
141	AV	STORAGE	2A	
142	STOR	STORAGE	2A	
201	MECH MEZZANINE	MECHANICAL	2A	

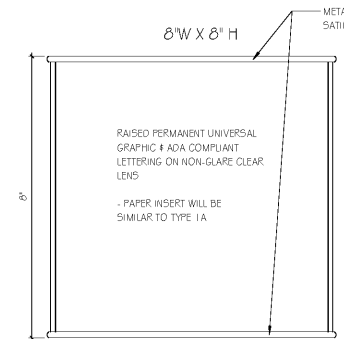
- SIGNAGE NOTES:**
- ALL SIGNAGE TO BE MECHANICALLY FASTENED TO WALL WHEN DOOR IS ADJACENT TO DOOR OR MASONRY PARTITION.
  - SIGNAGE AT DOOR ADJACENT TO GLASS SIDELIGHTS OR STOREFRONT TO BE INSTALLED WITH DOUBLE SIDED HEAVY DUTY TAPE. PROVIDE VINYL FILM EQUAL TO SOLYX OR GLASS. SEAL TAPE AND BACK OF FRAME - COLOR TO BE SILVER PROS 30 FINISH TO MATCH FRAME AND SELECTED BY ARCHITECT FROM MANUFACTURERS FULL LINE OF PATTERNS, TEXTURES, & OPACITIES.
  - CONTRACTOR TO PROVIDE PAPER INSERTS WITH LOGO - OWNER WILL PROVIDE GRAPHIC FILE. THE GRAPHIC FOR THE INSERT IS TO BE PRODUCED BY SIGNAGE CONTRACTOR. OCCUPANTS NAMES WILL BE PROVIDED DURING SUBMITTAL PROCESS.
  - DO NOT USE ROOM NUMBERS ON DRAWINGS - OWNER WILL PROVIDE NEW ROOM NUMBERS.
  - ROOM SIGNAGE SHALL BE MOUNTED AT 60" ABOVE FINISHED FLOOR TO TOP EDGE OF SIGN. IF OBSTRUCTIONS PREVENT THIS CONSULT WITH ARCHITECT.
  - COMPLY WITH STANDARDS FOR ACCESSIBLE DESIGN - INCLUDING BUT NOT LIMITED TO SECTION 7.03** IT IS THE RESPONSIBILITY OF THE SIGNAGE SUPPLIER AND INSTALLER TO MEET ADA REQUIREMENTS FOR SIGNAGE FONT SIZE, BRAILLE TYPE, GRAPHIC SYMBOLS, CONTRAST, MOUNTING HEIGHTS, ETC. SHOP DRAWINGS SHALL CLEARLY ILLUSTRATE COMPLIANCE WITH CURRENT ADA STANDARDS.



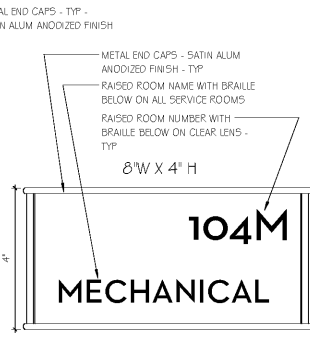
**E10 SIGN PLAN VIEW - MCFT**  
SCALE: 6" = 1'-0"



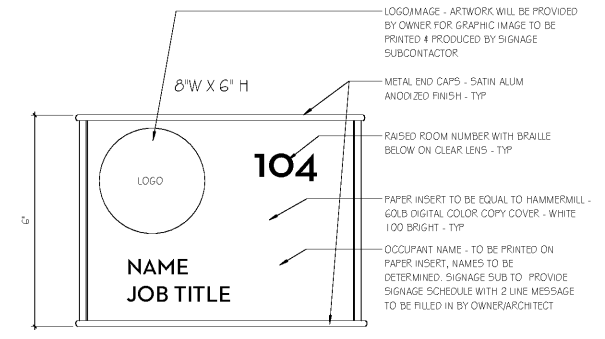
SIGN TYPE: EXT  
QUANTITY: SEE DRAWINGS  
FLAT PANEL: EXTERIOR GRADE-SIGN TO BE MECHANICALLY FASTENED AT EXTERIOR DOORS - LETTERS TO BE RAISED & PERMANENTLY AFFIXED - MESSAGE TBD



SIGN TYPE: 3A  
QUANTITY: SEE SCHEDULE  
LOCATIONS: STAIRS, TOILETS



SIGN TYPE: 2A  
QUANTITY: SEE SCHEDULE  
LOCATIONS: EVERY ENTRY DOOR TO SERVICE ROOMS, STORAGE ROOMS, AND WHERE NOTED ON DWGS



SIGN TYPE: 1A  
QUANTITY: EVERY ENTRY DOOR TO ROOM  
LOCATIONS: AS SCHEDULED

ISSUE DATE	ISSUE	DATE
	BID ISSUE	11/30/2017

DRAWN BY: JKT  
CHECKED BY: JBG

Oneonta Community Development  
Center  
100 1st Ave W.  
Oneonta, AL 35121  
GMC # ABHM170022

**SIGNAGE TYPES & SCHEDULE**  
**A8.03**  
sheet of

2701 1st Avenue S  
Birmingham, AL 35233  
T 205.879.4462  
GMCNETWORK.COM