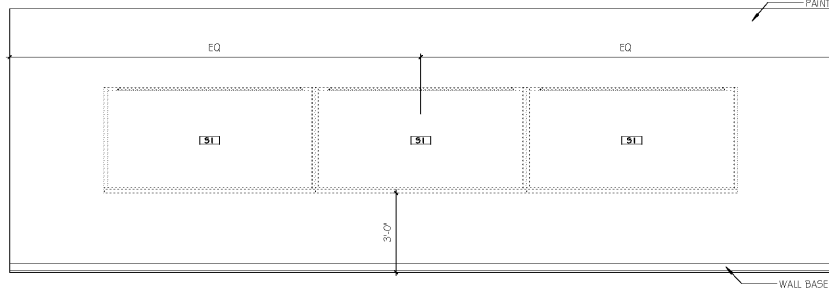
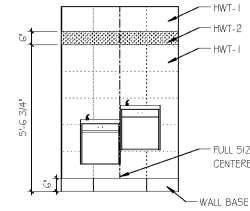


**H1 CONFERENCE ROOM 114**  
SCALE: 3/8" = 1'-0"



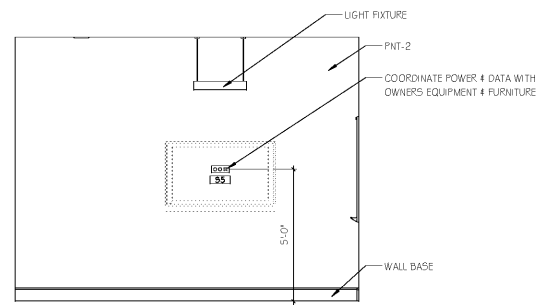
**H4 TRAINING ROOM 140**  
SCALE: 3/8" = 1'-0"



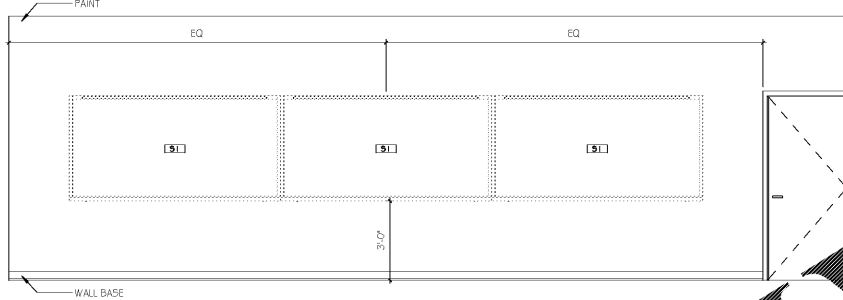
**H9 EWC**  
SCALE: 3/8" = 1'-0"

TOILET ACCESSORY SCHEDULE	
T1	36" HORIZONTAL GRAB BAR
T2	42" HORIZONTAL GRAB BAR
T3	18" VERTICAL GRAB BAR
T4	JUMBO ROLL TOILET TISSUE DISPENSER
T5	SANITARY NAPKIN RECEPTACLE
T6	TOILET PARTITION
T7	SEMI-RECESSED PAPER TOWEL DISPENSER AND WASTE RECEPTACLE
T9	WALL MOUNTED SOAP DISPENSER
T10	MIRROR - 5'10" W x 36" H
T15	JANITORIAL SHELF

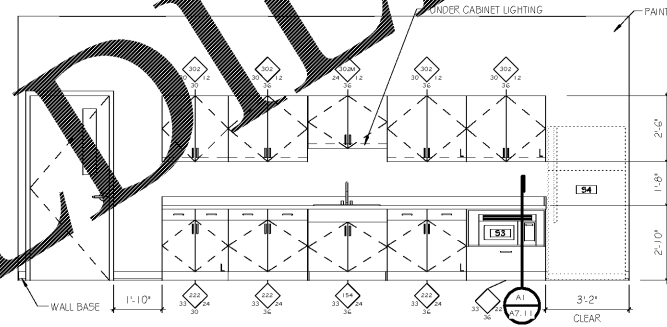
SPECIALTY EQUIPMENT SCHEDULE	
S1	SPECIALTY EQUIPMENT CORNER GUARD
S2	SPECIALTY EQUIPMENT MARKER BOARD N.I.C.
S3	SPECIALTY EQUIPMENT WELDING MACHINE N.I.C.
S4	SPECIALTY EQUIPMENT WELDING TACKLER N.I.C.
S5	SPECIALTY EQUIPMENT TELEVISION 32" N.I.C.
S6	SPECIALTY EQUIPMENT TELEVISION 32" N.I.C.
S7	SPECIALTY EQUIPMENT TELEVISION 32" N.I.C.



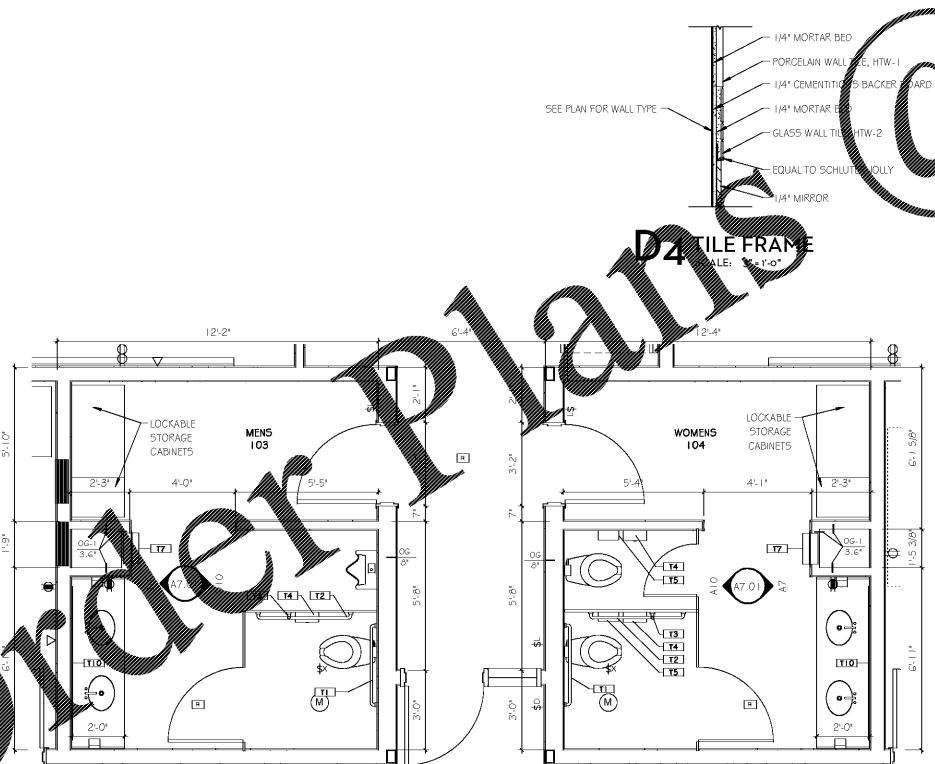
**F1 CONFERENCE ROOM 114**  
SCALE: 3/8" = 1'-0"



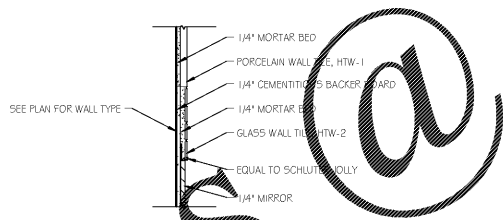
**F4 TRAINING ROOM 130**  
SCALE: 3/8" = 1'-0"



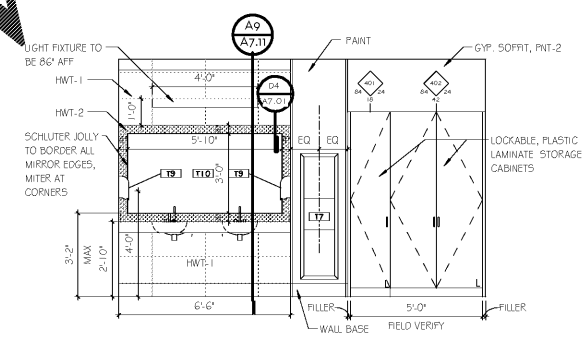
**F9 BREAK ROOM 123**  
SCALE: 3/8" = 1'-0"



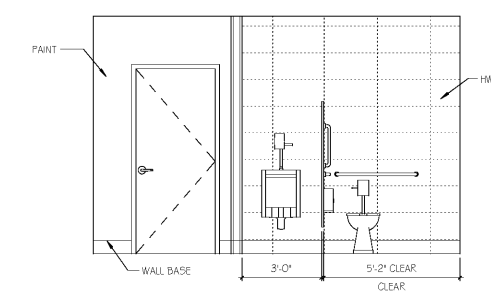
**A1 MENS 103 & WOMENS 104**  
SCALE: 3/8" = 1'-0"



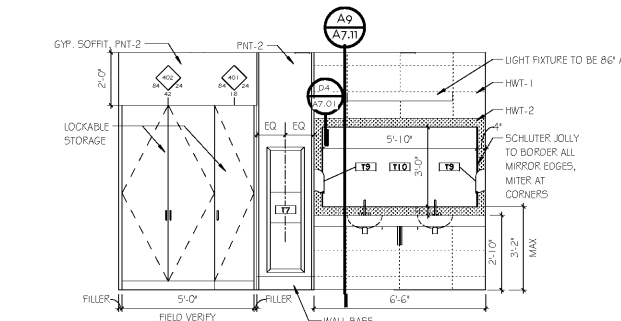
**D2 TILE FRAME**  
SCALE: 3/8" = 1'-0"



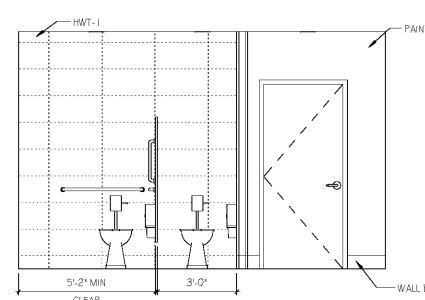
**D7 MENS 103**  
SCALE: 3/8" = 1'-0"



**D10 MENS 103 A**  
SCALE: 3/8" = 1'-0"



**A7 WOMENS 104 A**  
SCALE: 3/8" = 1'-0"



**A10 WOMENS 104**  
SCALE: 3/8" = 1'-0"

ISSUE DATE	ISSUE
11/30/2017	BID ISSUE

Oneonta Community Development Center  
100 1st Ave W.  
Oneonta, AL 35121  
GMC # ABHM170022

INTERIOR ELEVATIONS  
**A7.01**  
SHEET of

2701 1st Avenue S  
Birmingham, AL 35233  
T 205.879.4482  
GMCNETWORK.COM

11/30/2017 5:23:58 PM