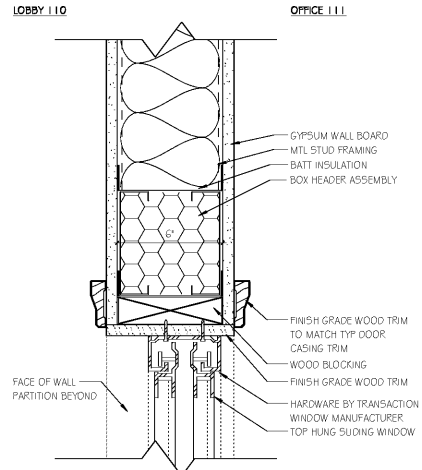
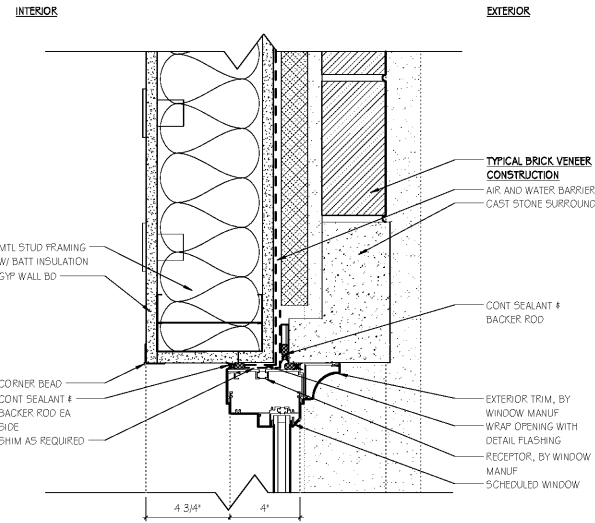


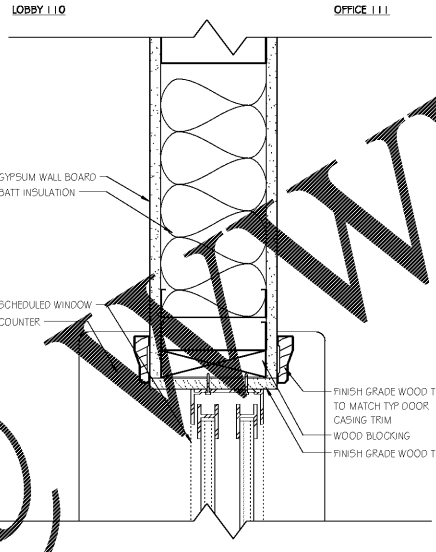
G2 TYP WIN HEAD  
SCALE: 3"=1'-0"



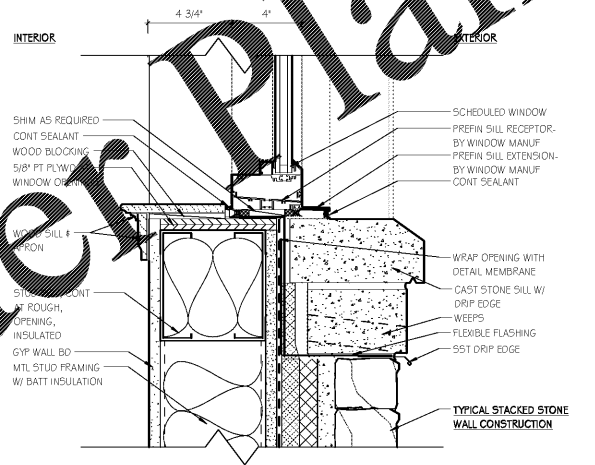
G6 INT TRANS WIN HEAD  
SCALE: 3"=1'-0"



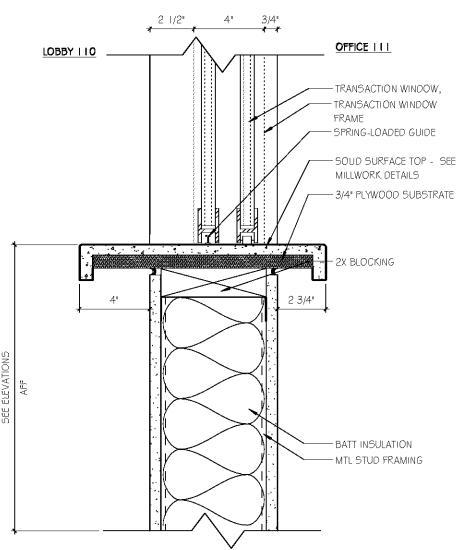
D2 TYP WIN JAMB  
SCALE: 3"=1'-0"



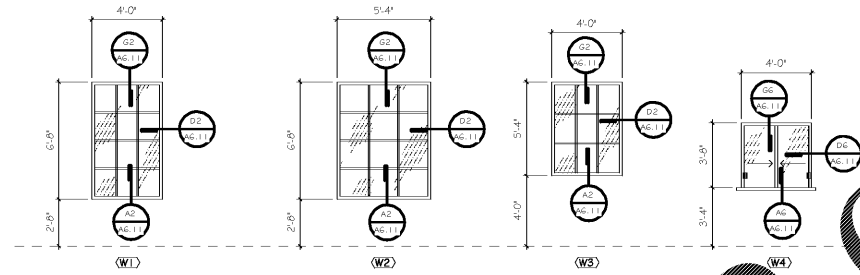
D6 INT TRANS WIN JAMB  
SCALE: 3"=1'-0"



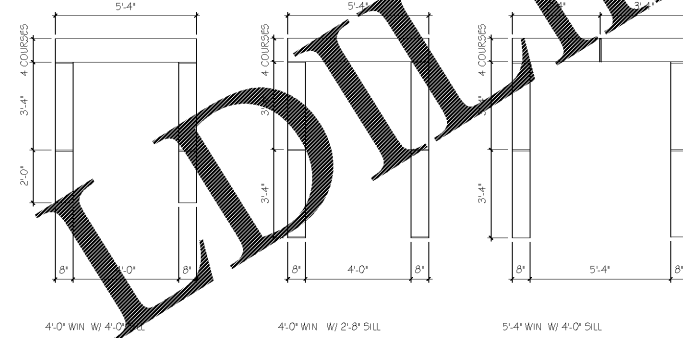
A2 TYP WIN SILL  
SCALE: 3"=1'-0"



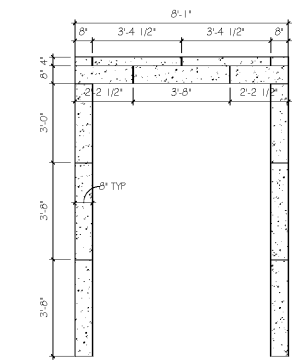
A6 INT TRANS WIN SILL  
SCALE: 3"=1'-0"



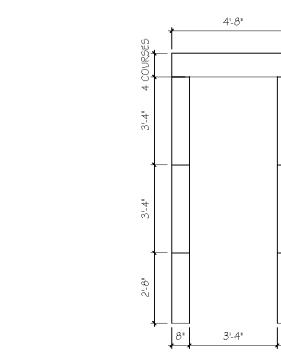
WINDOW LEGEND  
SCALE: 1/4"=1'-0"



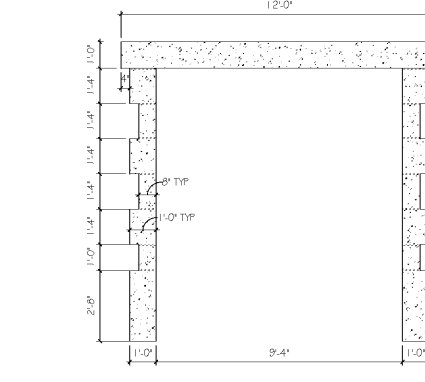
F8 WINDOW SURROUNDS  
SCALE: 3/8"=1'-0"



D8 REAR ENTRY SURROUND  
SCALE: 3/8"=1'-0"



D10 AUX ENTRY SURROUND  
SCALE: 3/8"=1'-0"



A8 MAIN ENTRY SURROUND  
SCALE: 3/8"=1'-0"

TYPICAL CONSTRUCTION TYPES	
WALL CONSTRUCTION	ROOF CONSTRUCTION
<b>TYPICAL BRICK VENEER CONSTRUCTION</b> BRICK VENEER CONT BOARD INSULATION CONT AIR & WATER BARRIER	<b>TYPICAL STANDING SEAM ROOF CONSTRUCTION</b> STANDING SEAM ROOF SYSTEM SELF-ADHERED MEMBRANE FLASHING - HIGH TEMP 4" THICK RIGID INSUL NAIL BASE - R-20 MIN MTL DECK
<b>TYPICAL STACKED STONE WALL CONSTRUCTION</b> DRY STACKED STONE VENEER MORTAR-FILLED CAVITY 1" CONT CAVITY DRAINAGE NETTING 1" CONT BOARD INSULATION CONT AIR & WATER BARRIER	<b>TYPICAL EIPS CONSTRUCTION</b> EIPS SYSTEM CONT AIR & WATER BARRIER

ISSUE DATE	ISSUE DATE
BID ISSUE 11/30/2017	

Oneonta Community Development Center  
 100 1st Ave W.  
 Oneonta, AL 35121  
**GMC # ABHM170022**

**WINDOW LEGEND AND DETAILS, CAST STONE LEGEND**  
**A6.11**  
 SHEET of

2701 1st Avenue S  
 Birmingham, AL 35233  
 T 205.879.4462  
 GMCNETWORK.COM

Order Plans

@ WWW.LDOnline.com

WWW.LDOnline.com

