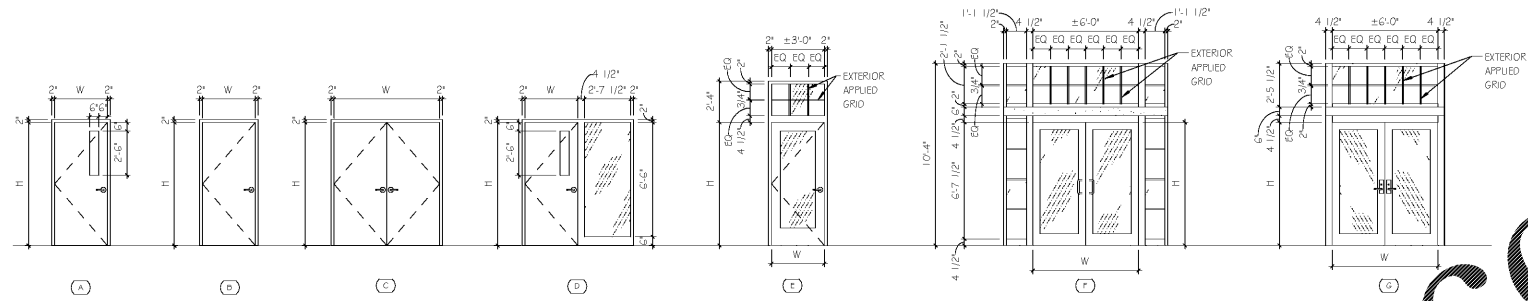


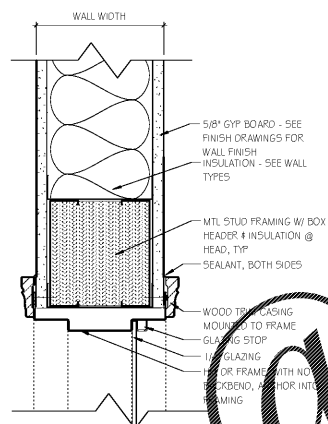
DOOR SCHEDULE														
Door Number	Room Name	Elev	Door				Frame			Fire Rating	Head	Jamb	Sill	Comments
			Width	Height	Thk	Mat'l	Finish	Mat'l	Finish					
101	LOBBY	F	6'-0"	7'-0"	1 3/4"	ALM/GL	PREFIN	ALM	PREFIN		F4/A6.02	A4/A6.02	F1/A6.02	INCLUDES TEMPERED GLAZING SIDELITE
102A	CORRIDOR	D	3'-0"	7'-0"	1 3/4"	WD/GL	STN	HMWD	PNT		D11/A6.01 & D4/A6.01	A11/A6.01 & A6/A6.01		
102B	CORRIDOR	G	6'-0"	7'-0"	1 3/4"	ALM/GL	PREFIN	ALM	PREFIN		F8/A6.02	A10/A6.02	F1/A6.02	
103	MENS	B	3'-0"	7'-0"	1 3/4"	WD	STN	HMWD	PNT		D11/A6.01	A11/A6.01		
104	WOMENS	B	3'-0"	7'-0"	1 3/4"	WD	STN	HMWD	PNT		D11/A6.01	A11/A6.01		
105	JC	B	3'-0"	7'-0"	1 3/4"	WD	STN	HMWD	PNT		D11/A6.01	A11/A6.01		
106	MEZZ ACCESS	B	3'-0"	7'-0"	1 3/4"	WD	STN	HMWD	PNT		D11/A6.01	A11/A6.01		
110	CITY CORRIDOR	E	3'-0"	7'-0"	1 3/4"	ALM/GL	PREFIN	ALM	PREFIN		F10/A6.02	A10/A6.02	F1/A6.02	
111	OFFICE	A	3'-0"	7'-0"	1 3/4"	WD/GL	STN	HMWD	PNT		D11/A6.01	A11/A6.01		
112	OFFICE	A	3'-0"	7'-0"	1 3/4"	WD/GL	STN	HMWD	PNT		D11/A6.01	A11/A6.01		
113	OFFICE	A	3'-0"	7'-0"	1 3/4"	WD/GL	STN	HMWD	PNT		D11/A6.01	A11/A6.01		
114	CONFERENCE	A	3'-0"	7'-0"	1 3/4"	WD/GL	STN	HMWD	PNT		D11/A6.01	A11/A6.01		
121A	OFFICE	A	3'-0"	7'-0"	1 3/4"	WD/GL	STN	HMWD	PNT		D11/A6.01	A11/A6.01		
121B	OFFICE	C	6'-0"	7'-0"	1 3/4"	WD	STN	HMWD	PNT		D11/A6.01	A11/A6.01		
123A	OFFICE	A	3'-0"	7'-0"	1 3/4"	WD/GL	STN	HMWD	PNT		D11/A6.01	A11/A6.01		
123B	OFFICE	B	3'-0"	7'-0"	1 3/4"	WD	STN	HMWD	PNT		D11/A6.01	A11/A6.01		
124A	BREAK RM	A	3'-0"	7'-0"	1 3/4"	WD/GL	STN	HMWD	PNT		D11/A6.01	A11/A6.01		
124B	BREAK RM	A	3'-0"	7'-0"	1 3/4"	WD/GL	STN	HMWD	PNT		D11/A6.01	A11/A6.01		
130A	TRAINING ROOM #1	A	3'-0"	7'-0"	1 3/4"	WD/GL	STN	HMWD	PNT		D11/A6.01	A11/A6.01		
130B	TRAINING ROOM #1	A	3'-0"	7'-0"	1 3/4"	WD/GL	STN	HMWD	PNT		D11/A6.01	A11/A6.01		
131	AV	B	3'-0"	7'-0"	1 3/4"	WD	STN	HMWD	PNT		D11/A6.01	A11/A6.01		
140A	TRAINING ROOM #2	A	3'-0"	7'-0"	1 3/4"	WD/GL	STN	HMWD	PNT		D11/A6.01	A11/A6.01		
140B	TRAINING ROOM #2	A	3'-0"	7'-0"	1 3/4"	WD/GL	STN	HMWD	PNT		D11/A6.01	A11/A6.01		
141	AV	B	3'-0"	7'-0"	1 3/4"	WD	STN	HMWD	PNT		D11/A6.01	A11/A6.01		
142	STOR	C	6'-0"	7'-0"	1 3/4"	WD	STN	HMWD	PNT		D11/A6.01	A11/A6.01		

DOOR ELEVATIONS
SCALE: 1/4" = 1'-0"

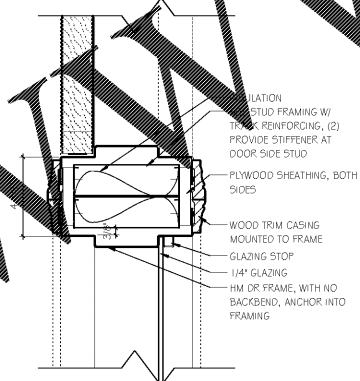
NOTE: HM FRAME DIMENSIONS ARE NOMINAL AND DO NOT ACCOUNT FOR CASING TRIM DEPTH WHERE APPLICABLE.



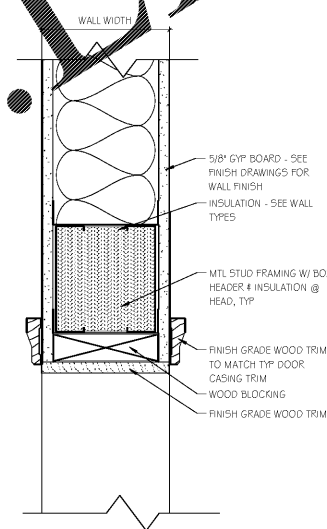
TYPICAL CONSTRUCTION TYPES	
WALL CONSTRUCTION	DOOR CONSTRUCTION
TYPICAL BRICK MASONRY CONSTRUCTION BRICK VENEER CONCRETE BOARD INSULATION CONT. AIR & WATER BARRIER	TYPICAL WOOD STUD CONSTRUCTION WOOD STUD FRAMING W/ BOX HEADERS & INSULATION @ HEAD, TYP RIGID INSUL. (BASE - R-20 MIN)
TYPICAL STACKED STONE WALL CONSTRUCTION DRY STACKED STONE VENEER MORTAR-FILLED CAVITY 1" CONT. BOARD INSULATION CONT. AIR & WATER BARRIER	TYPICAL EPS CONSTRUCTION EPS INSULATION CONT. AIR & WATER BARRIER



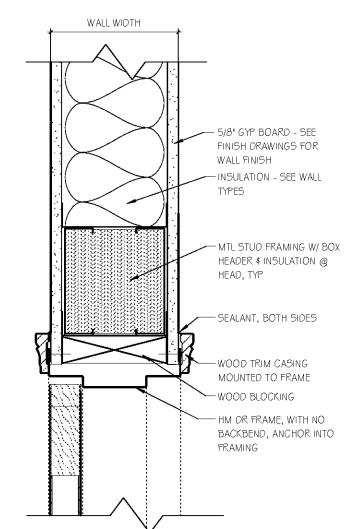
D4 INT SIDELITE HEAD
SCALE: 3/4" = 1'-0"



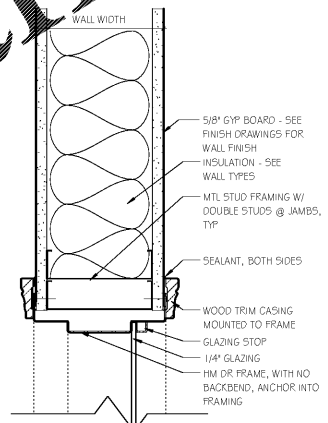
D6 INT SIDELITE MULLION
SCALE: 3/4" = 1'-0"



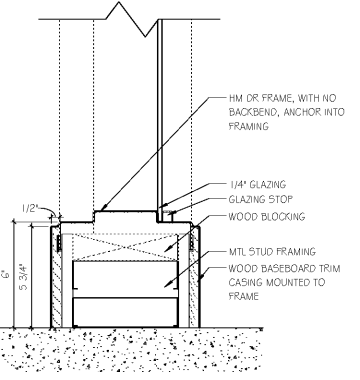
D8 INT GYP OPENING HEAD
SCALE: 3/4" = 1'-0"



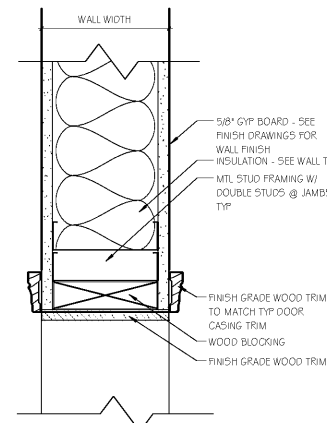
D11 INT GYP DOOR HEAD
SCALE: 3/4" = 1'-0"



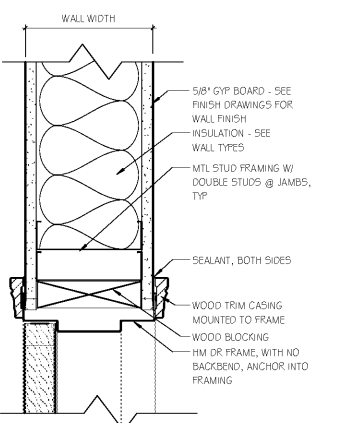
A4 INT SIDELITE JAMB
SCALE: 3/4" = 1'-0"



A6 INT SIDELITE SILL
SCALE: 3/4" = 1'-0"



A8 INT GYP OPENING JAMB
SCALE: 3/4" = 1'-0"



A11 INT GYP DOOR JAMB
SCALE: 3/4" = 1'-0"

ISSUE DATE	ISSUE
11/30/2017	1

Oneonta Community Development
Center
100 1st Ave W.
Oneonta, AL 35121
GMC # ABHM170022

DOOR SCHEDULE, LEGEND, & DETAILS
A6.01
SHEET

2701 1st Avenue S
Birmingham, AL 35233
T 205.879.4482
GMCNETWORK.COM