

**Project Contacts:**

Please contact one of the following Seating Concepts team members to address any concerns you may have:

Customer Service: 815.730.7980  
 Ken Hibben - Manager x 2253  
 Cheri Salamon x 2224  
 Lorna Cullison x 2246  
 Mel Randall x 2234  
 Krista Bagley x 2219  
 Julia Schladenhauffen x 2226  
 Kerry Struder x 2223

Interior Design: 815.730.7980  
 Samantha Uthe - Manager x 2251  
 Lori Manion x 2242  
 Sandra Chavez x 2221  
 Deborah Paulik x 2262  
 Rita Gear x 2235  
 Kimberly Sea x 2252



PROJECT: BK 20/20 Light

LOCATION: Lake City, GA 30260

ADDRESS: 5141 Jonesboro Road

STORE #: 4003

DESIGNER: Lori C. Manion

CSR: Mel Randall

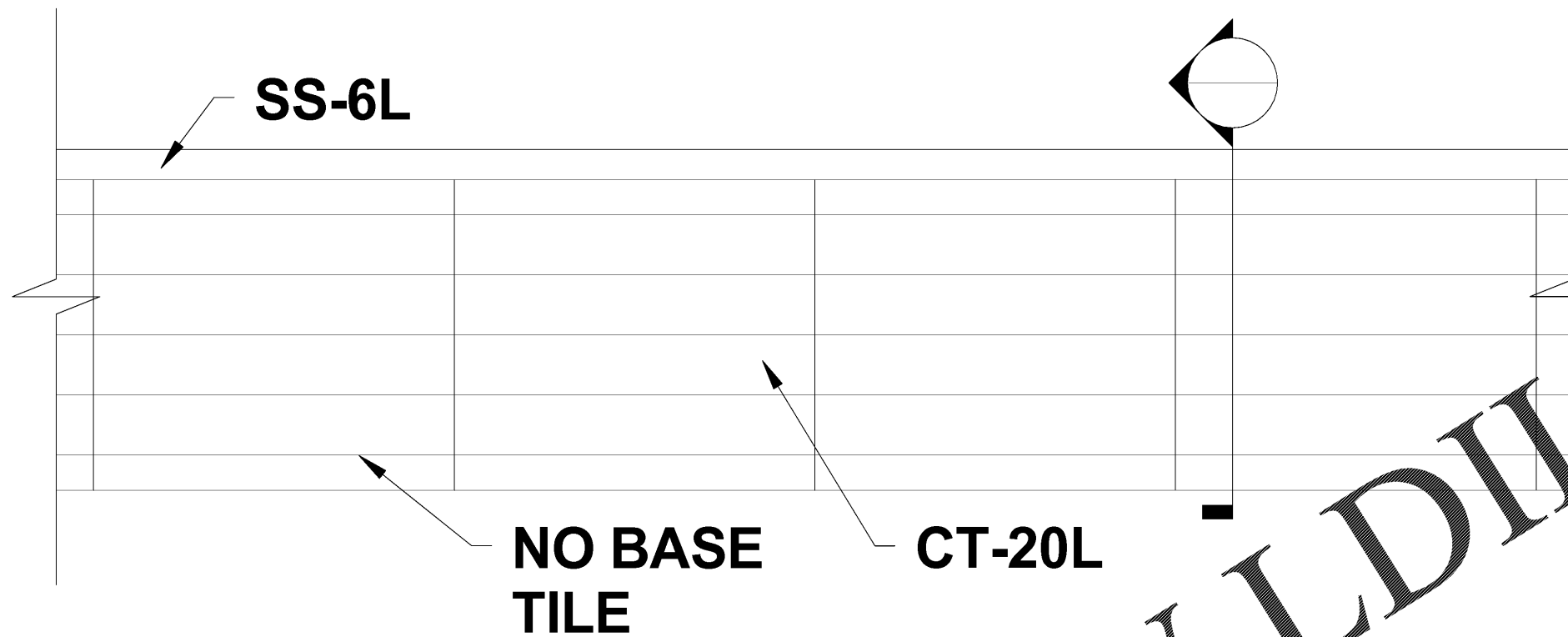
SALES MANAGER: Betsy Spinks

START DATE: 11-29-17

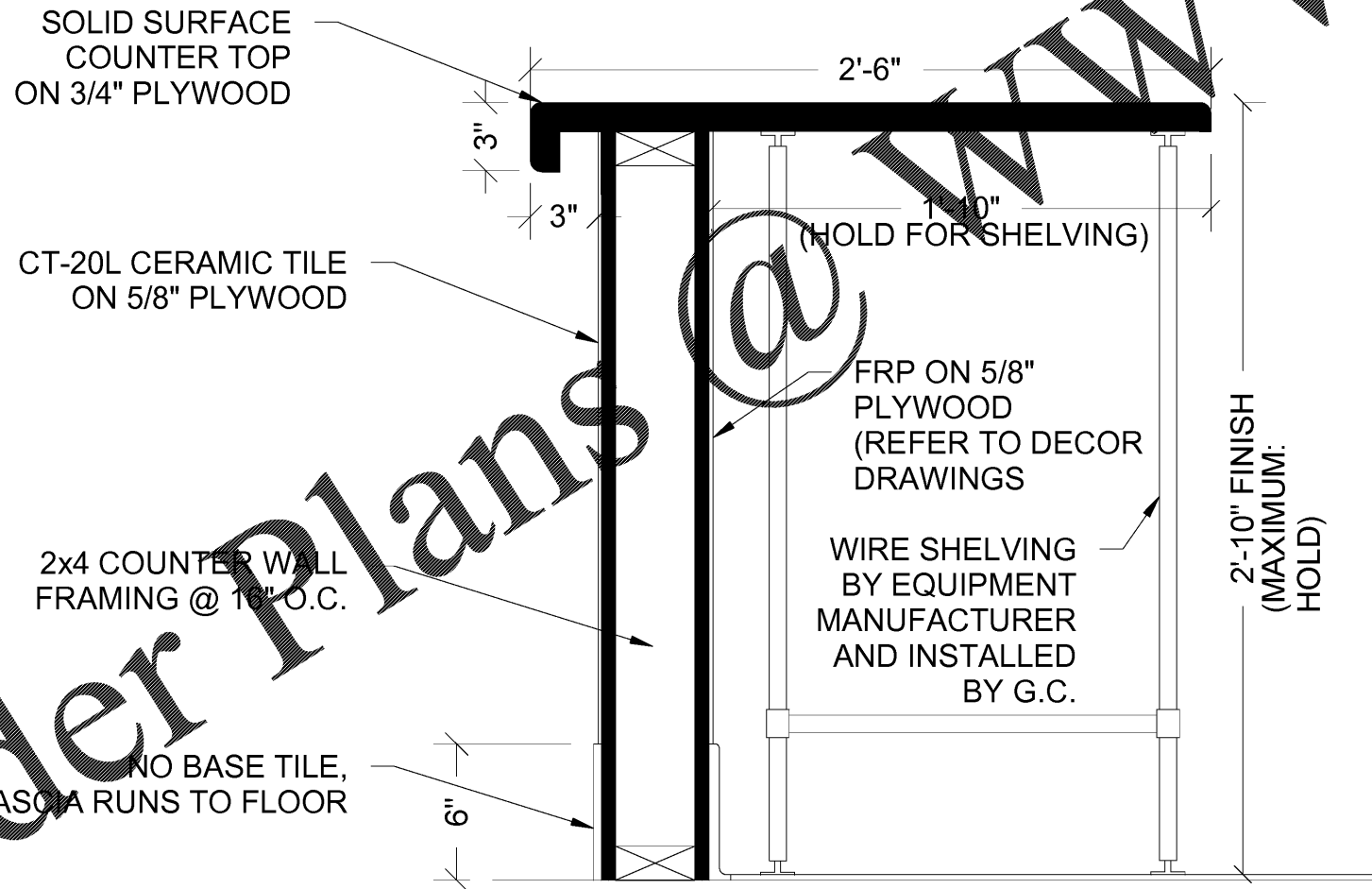
REVISION HISTORY			
DATE	#	DESCRIPTION	XY
11-29-17	1	Revised per BKC	SC

SHEET TITLE: Front Service Counter Details

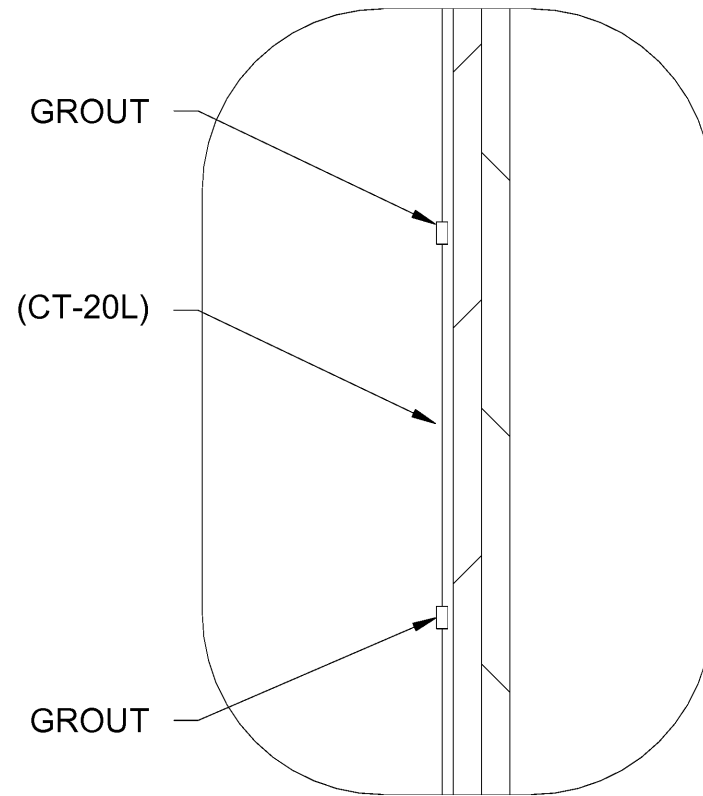
**ID-19**



**FRONT SERVICE COUNTER ELEVATION VIEW**



**FRONT SERVICE COUNTER SECTION**



**DETAIL**

Order Plans @

WWW.LDIDLine.com