

NOTE:
CONTRACTOR TO FIELD VERIFY EXISTING DOOR / FRAME SIZE & MATCH ACCORDINGLY WHERE APPLICABLE.

NOTE:
COORDINATE NEW HARDWARE INSTALLATION WITH EXISTING FRAMES WHERE THERE ARE TO BE REUSED. ALL EXISTING FRAMES TO RECEIVE NEW PAINT. COORDINATE KEYING WITH OWNER PRIOR TO COMMENCEMENT.

Specified Products and Approved Equals

Hinges - Provide features, functions, size and finish as shown in hardware sets.				
HAGER	BB1168	1/2" x 1/2" x USP x NRP	253	
MCKINNEY	TA2714	T-4A3756		
BOMMERS	BS5004	BS5004		

Locks - Provide features, functions and finish as shown in hardware sets.				
YALE	AL53PD	AL405		NO SUBSTITUTIONS
YALE	AUS307LN	AUS302LN		
FALL AN	BS11D	BS301D		

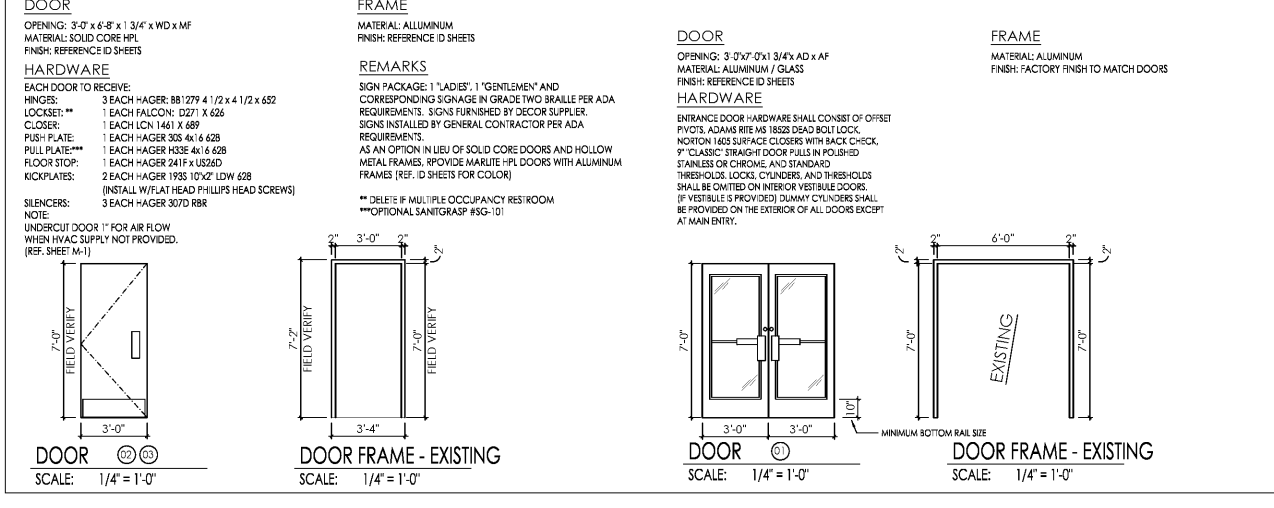
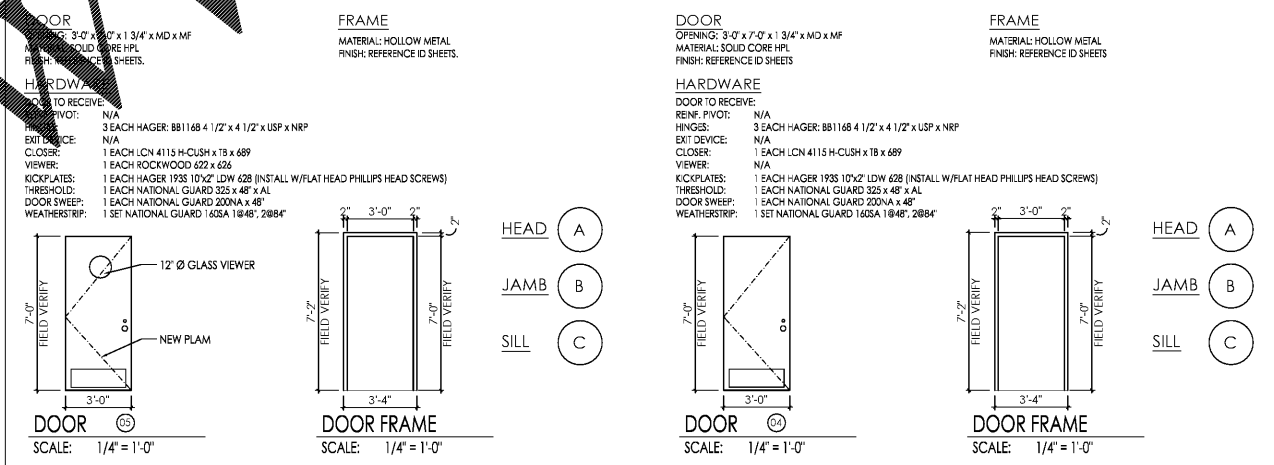
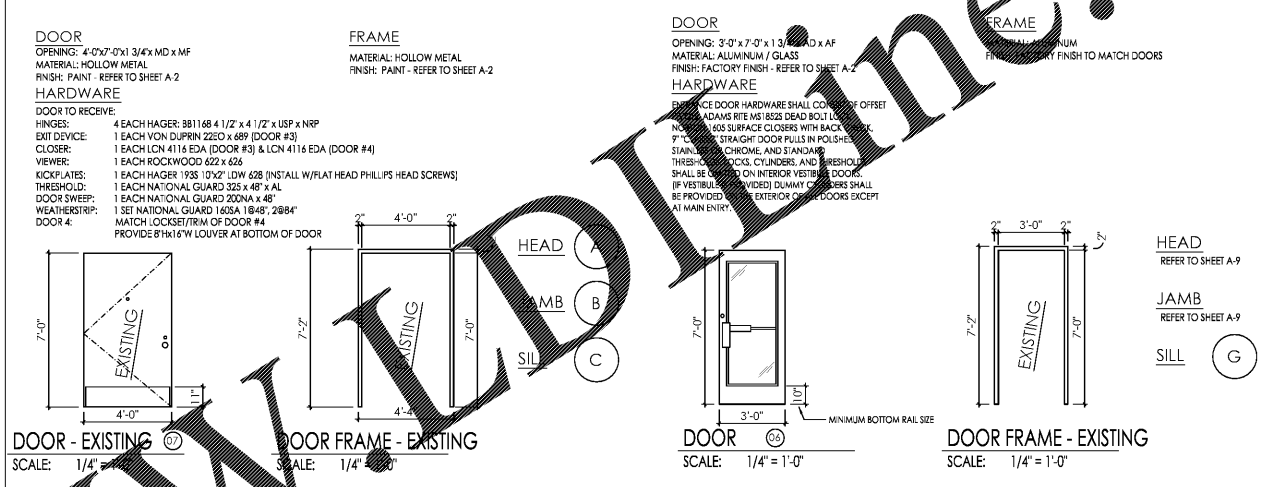
Exit Device - Provide features, functions and finish as shown in hardware sets.				
VON DUPRIN	22 ED			
YALE	2100 EO			
SARGENT	3828 EO			

Closers - Provide features, functions and finish as shown in hardware sets.				
LCN	1461	4115 H-CUSH		
YALE	3301	4425T / 4421T		
DORMA	861G	891G D5T / 895G D5T		

Push/Pull, KP, Stops, Etc. - Provide features, functions, size and finish as shown in hardware sets.				
HAGER	KICKPLT 1935	PULL PLT H33E	PUSH PLT 30D	FL STOP 241F
ROCKWOOD	K1050 B3E	BF106 X 70C	70C	441CU
TRIMCO	K0050	1017-3-42 1/2 PRD.J	1001-3	1211

Weatherstripping, Thresholds, Etc. - provide features, functions, size and finish as shown in hardware sets.				
NATIONAL GUARD	THRESHOLD 325A	SWEEP 200NA	WEATHERSTRIP 1605A	
FEMKO	229A	315CN	303AS	
ZERO	1675A	39A	39A	

DOOR HARDWARE SCHEDULE



DOOR SCHEDULE

Order Plans @ www.plans.com

11.30.2017
DRAWN BY: DLR, MRW
CHECKED BY: MRB, JF
REVISION
NO. DATE DESCRIPTION
01 11/20/17 BCU/FERRETTI SET
02
03
04
05
06
07

BURGER KING

PREMIER HOLDINGS OF GEORGIA, LLC
3836 Stewart Road, Unit A
Doraville, GA 30046

2126 Morris Avenue, Suite 303
Phenix, GA 30224-2511
Phone: (770) 322-1251
Fax: (770) 322-1778
email: info@hplaha.com
www.hplaha.com

James M. Huxstein architect AIA
architecture • planning • interior design

PROJECT #17024.11
IMAGE 20/20 - JULY 2012 STANDARDS
STATE OF GEORGIA
JAMES M. HUXSTEIN
REGISTERED ARCHITECT

5141 JONESBORO RD
LAKE CITY, GA 30046

DOOR & HARDWARE DETAILS

A8.2