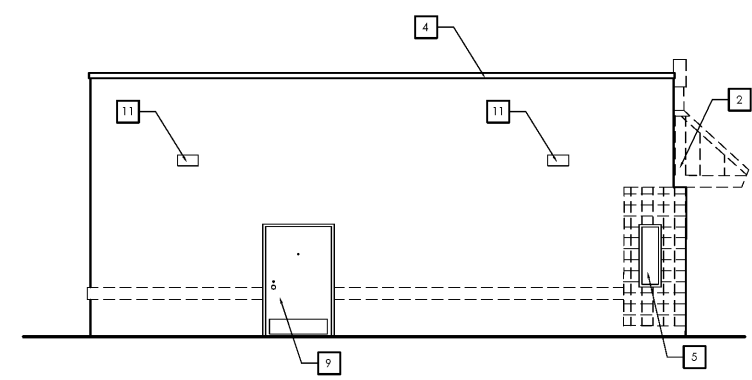
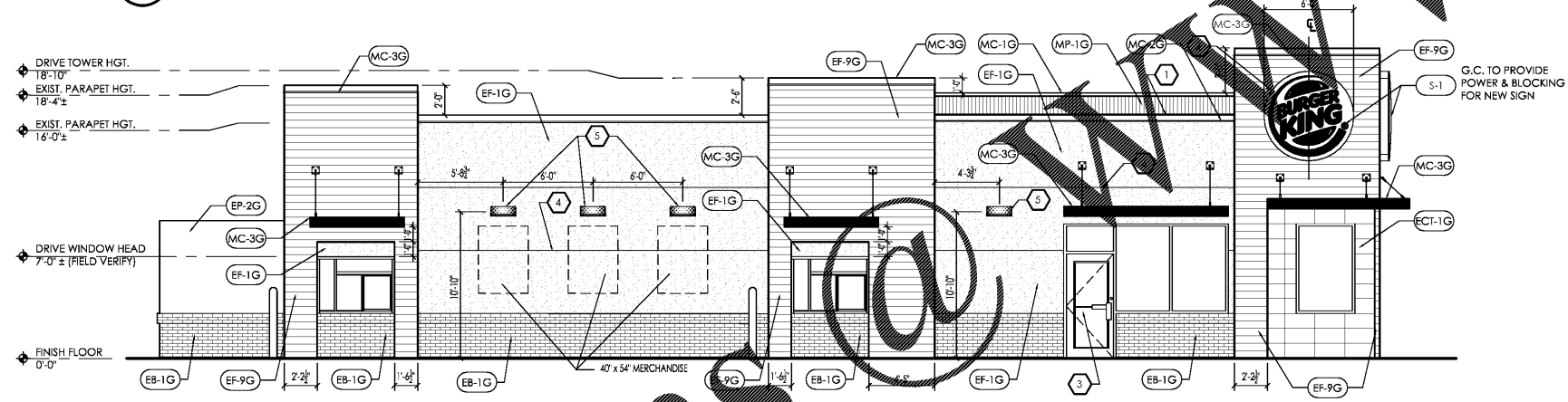


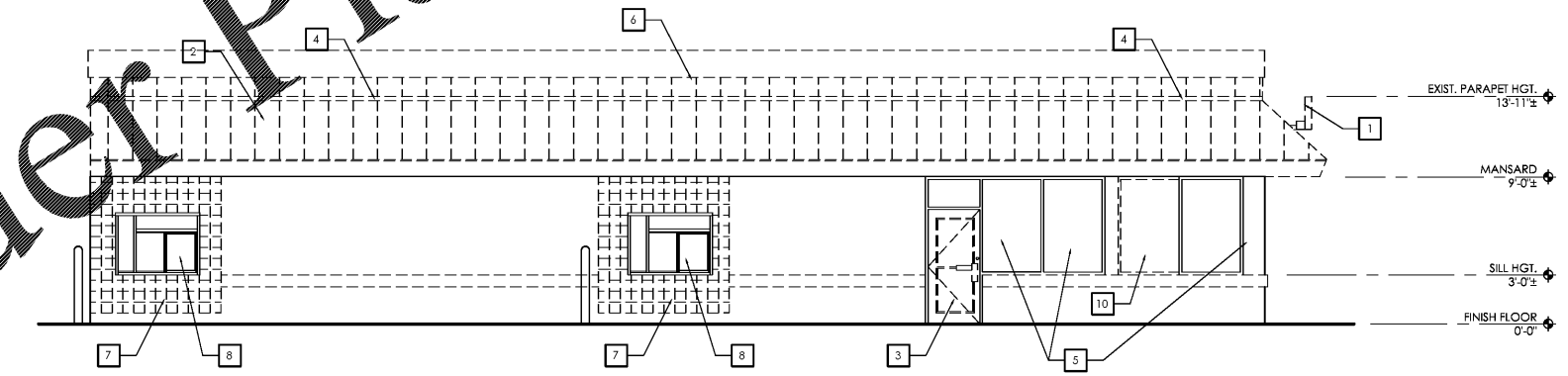
04 REAR CONSTRUCTION
A2.2 SCALE: 3/16" = 1'-0"



03 REAR DEMOLITION
A2.2 SCALE: 3/16" = 1'-0"



02 DRIVE-THRU SIDE CONSTRUCTION
A2.2 SCALE: 3/16" = 1'-0"



01 DRIVE-THRU SIDE DEMOLITION
A2.2 SCALE: 3/16" = 1'-0"

ELEVATION GENERAL NOTES:

- REFER TO EXTERIOR MATERIAL AND FINISH SCHEDULE ON SHEET A2.3
- G.C. TO PROVIDE PRE-FORMED CORNERS AT ALL NEW FIBER CEMENT FINISH AREAS.
- REMOVE / MOVE EXIST. SECURITY CAMERAS AS REQ'D FOR NEW FINISH INSTALLATION. REINSTALL CAMERAS ONCE WORK IS COMPLETE. COORD. W/ SECURITY VENDOR & OWNER.
- EXISTING EIFS TO RECEIVE NEW RE-COATING, TYP.
- REMOVE & REPLACE EXISTING OUTDOOR LIGHTING. SEE ELEVATION FOR NEW LOCATIONS.

ELEV. DEMO. KEYNOTES:

- REMOVE EXIST. SIGNAGE - SIGNS TO BE REMOVED BY OWNER. G.C. TO USE CARE IN REMOVAL TO PREVENT DAMAGE.
- REMOVE EXISTING MANSARD ROOF AS SHOWN.
- EXISTING DOOR(S) TO BE REMOVED & PREPARED FOR REPLACEMENT.
- ALL EXISTING MTL. COPING TO BE REMOVED & REPLACED WITH NEW PRE-FINISHED COPING.
- EXIST. STOREFRONT WINDOWS TO BE CLEANED & REPAIRED AS NEEDED, TYP. NOTE: AN EXIST. STOREFRONT WINDOW W/ BROKEN GLAZING AND/OR MISSING MTL. CONDENSATION INSIDE TO BE REPLACED INSTEAD.
- REMOVE EXIST. COBALT LIGHT BAND - LIGHT BAND TO BE RETURNED TO OWNER. G.C. TO USE CARE IN REMOVAL TO PREVENT DAMAGE TO EXIST. REMOVAL OF EXIST. TILE AT DRIVE-THRU.
- EXIST. DRIVE-THRU WINDOW TO REMAIN. REPAIR DAMAGED SECTIONS AND REPAIR SURFACE FOR NEW STONE TOWER.
- PREPARE EXIST. H.M. DOOR TO RECEIVE NEW PAINT FINISH.
- THIS UNIT OF EXIST. STOREFRONT TO BE REMOVED AND PREPARED TO HAVE OPENING INFILLED W/ NEW FRAMING.
- REMOVE EXIST. MTL. OVERFLOW SLEEVES & PREPARE FOR NEW EXTENDED. SEE ROOF PLAN.

ELEV. CONST. KEYNOTES:

- NEW LIGHT BAND BY SIGN VENDOR - G.C. TO PROVIDE BLOCKING. G.C. TO RE-SEAL EXISTING ELECTRICAL OPENINGS AND ENSURE THAT ALL NEW LIGHT-BANDS HAVE SEALANT AT ALL / ANY PENETRATIONS.
- NEW SIGN(S) - G.C. TO PROVIDE POWER AND BLOCKING. PROVIDE SEALANT BETWEEN WALL SURFACE AND BACK OF SIGN.
- NEW DK. BRONZE ALUMINUM STOREFRONT DOOR.
- PROVIDE CONTROL JOINTS SPACED AS SHOWN - 3 EQUALLY SPACED - SEE 05/A2.1. REFER TO GENERAL NOTES REGARDING EIFS, THIS PAGE.
- NEW SCONCE LIGHTS - DK. BRONZE TO MATCH ALUM. STOREFRONT.
- NEW EXTENDED OVERFLOW SLEEVES. PAINTED TO MATCH EF-1.

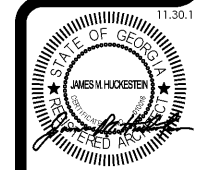
NO.	DATE	BY	CHECKED BY	REVISION
01	11/20/17	BO/PERMIE SET		
02				
03				
04				
05				
06				
07				



PREMIER HOLDINGS
OF GEORGIA, LLC
3838 Stewart Road, Unit A
Doraville, GA 30040

2126 North Avenue
Atlanta, GA 30303
Phone: (770) 322-1251
Fax: (770) 322-1778
email: info@jha.com
www.jha.com

James M. Huxester
architect AIA
architecture • planning • interior design



PROJECT #17024.11
IMAGE 20/20 - JULY 2012 STANDARDS
Burger King
5141 Jonesboro Rd
Lake City, GA 30260
EXTERIOR ELEVATIONS