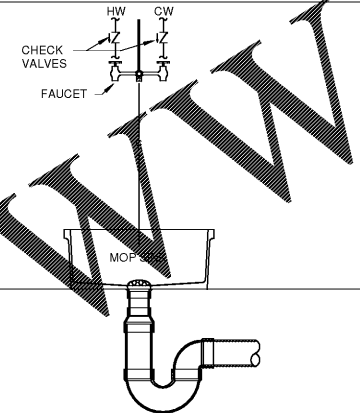


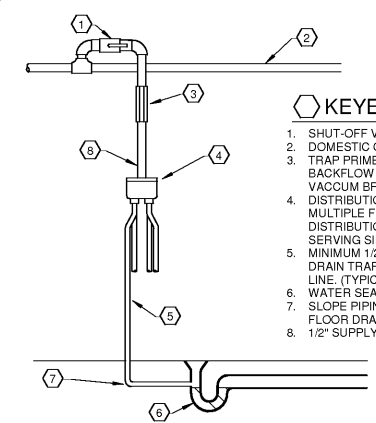
- KEYED NOTES:**
- 6" THICK BY 18" SQUARE CONCRETE PAD.
 - "CO" TO BE CAST IN COVER.
 - CAST IRON CLEANOUT WITH COVER FOR DUTY REQUIRED.
 - GRADE FOR PAVING.
 - CAST IRON LONG SWEEP 1/4 BEND OR CAST IRON COMB. Y 1/8" X BEND. (USE REDUCING TYPE WHERE REQUIRED).
 - BUILDING DRAIN OR SEWER MATERIAL AND SIZE SPECIFIED.
 - CLEANOUT RATED FOR EXPECTED WORK LOAD. REFER TO SPECIFICATION AND PLAN FOR TYPE AND LOCATION FOR TRAP AND FLOOR.
 - TOP FILL WITH FINISHED FLOOR.
 - FINISHED FLOOR LEVEL.
 - PIPE SHALL EXTENSION UP 6" LEAST AS REQUIRED. PROVIDE SAME SIZE PIPE SERVED UP TO 6".
 - COMBINATION WYE AND 1/8" BEND OR AS CODE REQUIRED.
 - LONG SWEEP 1/4" BEND.

221313.00-01 - FLOOR CLEANOUTS
 SCALE: NONE



- NOTES:**
- SEAL TOP OF SINK TO WALL USING A CONTINUOUS BEAD OF SILICONE CAULKING, WHEREVER SINK ABUTS WALL.
 - FOR EXTERIOR MASONRY AND SOLID WALLS APPLICATION PROVIDE SURFACE MOUNT WATER SUPPLY LINES. WHEN POSSIBLE ROUTE WATER SUPPLY LINES INSIDE INTERIOR STUD WALLS.
 - INCLUDE MOP HANGER, HOSE & HOSE BRACKET, WALL AND BUMPER GUARDS.

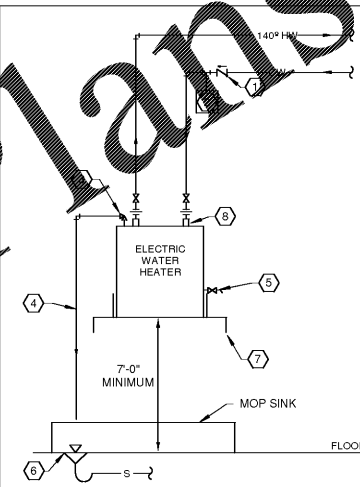
224000.00-02 - MOP SINK DETAIL
 SCALE: NONE



- KEYED NOTES:**
- SHUT-OFF VALVE.
 - DOMESTIC COLD WATER LINE.
 - TRAP PRIMER VALVE WITH BACKFLOW PREVENTER AND VACCUM BREAK.
 - DISTRIBUTION UNIT FOR MULTIPLE FLOOR DRAINS. (OMIT DISTRIBUTION UNIT WHEN SERVING SINGLE DRAIN.)
 - MINIMUM 1/2" COPPER FLOOR DRAIN TRAP MAKE-UP WATER LINE. (TYPICAL)
 - WATER SEAL.
 - SLOPE PIPING BELOW SLAB TO FLOOR DRAIN.
 - 1/2" SUPPLY SIZE.

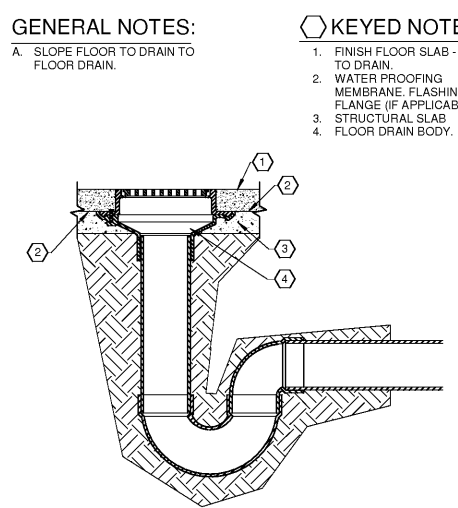
NOTE: TRAP PRIMER LINE SHALL NOT EXCEED 20 FT.

221119.00-34 - TRAP PRIMER DETAIL
 SCALE: NONE



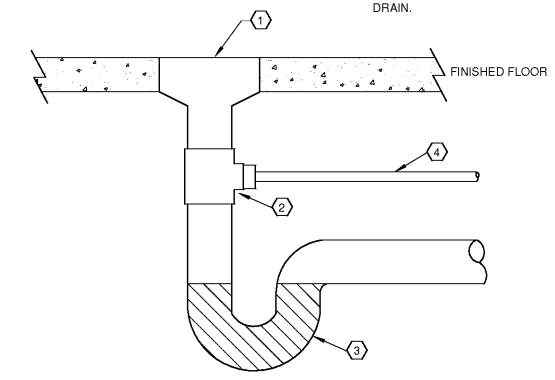
- KEYED NOTES:**
- CHECK VALVE.
 - 10 GALLON EXPANSION TANK.
 - ASME APPROVED TEMPERATURE AND PRESSURE RELIEF VALVE, 210°F, 90 PSI.
 - RELIEF PIPE, FULL SIZE OF OPENING.
 - DRAIN VALVE.
 - MOP SINK.
 - MOUNT ON BRACKETS OR SUSPEND FROM JOISTS ABOVE.
 - HEAT TRAP NIPPLE.

223300.00-01 - SHELF - MOUNTED ELECTRIC WATER HEATER
 SCALE: NONE



- GENERAL NOTES:**
- SLOPE FLOOR TO DRAIN TO FLOOR DRAIN.
- KEYED NOTES:**
- FINISH FLOOR SLAB - SLOPE TO DRAIN.
 - WATER PROOFING MEMBRANE, FLASHING FLANGE (IF APPLICABLE).
 - STRUCTURAL SLAB.
 - FLOOR DRAIN BODY.

221316.00-01 - FLOOR DRAIN DETAIL
 SCALE: NONE



- KEYED NOTES:**
- FLOOR/HUB DRAIN SUBJECT TO TRAP SEAL EVAPORATING.
 - TRAP PRIMER FITTING EQUAL TO ZURN Z1023.
 - LIQUID TRAP SEAL.
 - SLOPE SUPPLY PIPING TO DRAIN.

221119.00-02 - TRAP PRIMER CONNECTION DETAIL
 SCALE: NONE

Order Plans @

OWNERSHIP OF INSTRUMENTS OF SERVICE
 All reports, plans, specifications, computer files, field data, notes and other documents and instruments prepared by the Consultant as instruments of service shall remain the property of the Consultant. The Consultant shall retain all common law, statutory and other reserved rights, including, without limitation, the copyright therein.

REVISIONS	DATE
ISSUE FOR BIDDING, CLIENT, LANDLORD AND PERMIT	10/27/2017

robert g. lyon + associates, inc.
 ARCHITECTS
 9100 Schiller Park, IL 60176
 P: 847.671.7452
 F: 847.671.4200
 www.rgla.com

THE ABOVE DRAWINGS AND SPECIFICATIONS AND DEAD, DESIGN AND ARRANGEMENTS REPRESENTED THEREIN ARE AND SHALL REMAIN THE PROPERTY OF THIS OFFICE AND NO PART THEREOF SHALL BE COPIED, DISCLOSED TO OTHERS OR USED IN THE CONNECTION WITH ANY WORK OR PROJECT OTHER THAN THE SPECIFIC PROJECT FOR WHICH THEY HAVE BEEN PREPARED AND DEVELOPED WITHOUT THE WRITTEN CONSENT OF THIS OFFICE. VISUAL CONTACT WITH THESE DRAWINGS OR SPECIFICATIONS SHALL CONSTITUTE CONCLUSIVE EVIDENCE OF ACCEPTANCE OF THESE RESTRICTIONS.

WRITTEN DIMENSIONS ON THESE DRAWINGS SHALL HAVE PRECEDENCE OVER SCALE DIMENSIONS. CONTRACTOR SHALL VERIFY AND BE RESPONSIBLE FOR ALL DIMENSIONS AND CONDITIONS ON THE JOB AND THIS OFFICE MUST BE NOTIFIED OF ANY DISCREPANCIES IMMEDIATELY. DIMENSIONS AND CONDITIONS SHOWN BY THESE DRAWINGS SHOULD ALSO BE SUBMITTED TO THIS OFFICE FOR APPROVAL BEFORE PROCEEDING WITH FABRICATION.

©2017 RGLA SOLUTIONS, INC.
 ©2017 ROBERT G. LYON & ASSOCIATES, INC.

THE NORTH FACE
 AVENTURA MALL
 19501 BISCAYNE BLVD
 SPACE #327
 AVENTURA, FL 33180

PLUMBING DETAILS

DRAWN BY	BJC
CHECKED BY	KCN
JOB NUMBER	19811
SHEET NAME	P2.1