

**GENERAL NOTES**

- A. DETAILS IN COMMENTS SECTION OF LUMINAIRE SCHEDULE SHALL APPLY IN ADDITION TO CATALOG SERIES.
- B. LAMP, BALLAST AND TRANSFORMER INFORMATION IN SPECIFICATION SHALL APPLY IN ADDITION TO INFORMATION IN LUMINAIRE SCHEDULE.
- C. REFER TO DRAWINGS FOR MOUNTING TYPE, NUMBER OF FACES AND ARROWS OF EXIT SIGNS.
- D. ALL COMPACT FLUORESCENT LUMINAIRES WITH T-5 LAMPS AND SMALLER TO HAVE END OF LIFE CIRCUIT CUTOFF FEATURE EQUAL TO OSRAM-SYLVANIA "QUICK-SENSE".
- E. ALL T-5 AND T-8 LAMP PARABOLIC FLUORESCENT TROFFERS SHALL HAVE 2 BALLAST COMPARTMENTS.
- F. ALL RECESSED TROFFER HOUSINGS CONSTRUCTED WITHOUT ROLLED EDGES SHALL BE POST PAINTED.
- G. ALL RECESSED TROFFER DOOR FRAMES SHALL BE SECURED WITH SPRING LATCHES.
- H. VERIFY LUMINAIRE, LAMP AND VOLTAGE COMPATIBILITY. LAMP QUANTITY REFERS TO NUMBER OF LAMPS IN CROSS SECTION, UNLESS OTHERWISE NOTED.
- I. LENS DIMENSION REFERS TO OVERALL THICKNESS, MAXIMUM PENETRATION OF PRISM TO BE .087".
- J. THE CONTRACTOR SHALL BE RESPONSIBLE FOR COORDINATING EACH LUMINAIRE LOCATION WITH THE ARCHITECTURAL REFLECTED CEILING PLANS AND FOR VERIFYING AND PROVIDING THE MOUNTING SYSTEM REQUIRED FOR EACH LUMINAIRE. THE CONTRACTOR ALSO PROVIDE PLASTER FRAMES, WALL BRACKETS, SUPPORTS, OR OTHER APPURTENANCES AS REQUIRED FOR PROPER INSTALLATION. CLEAN WHITE COTTON GLOVES SHALL BE WORN WHEN HANDLING THE LUMINAIRES' EXPOSED REFLECTIVE SURFACES. THE CONTRACTOR SHALL CLEAN ALL SURFACES, INCLUDING DUST, FINGERPRINTS, PAINT, ETC. WITH A CLEAN DRY CLOTH AFTER ALL INTERIOR WORK HAS BEEN COMPLETED. PLASTIC SHIPPING BAGS SHALL REMAIN ON THE LUMINAIRES UNTIL WORK IS COMPLETED.
- K. MOUNTING HEIGHTS INDICATED ARE TO THE BOTTOM OF THE LUMINAIRE, UNLESS OTHERWISE NOTED.
- M.

ELECTRIC LUMINAIRE SCHEDULE							
TYPE	DESCRIPTION	MANUFACTURER / SERIES	LAMP QTY	LAMP TYPE	COMMENTS	FIXTURE LOAD	VOLTAGE
A8	LED STRIP LIGHT	LUMINAIR LIGHTING N3-CS-D-LED-1-30L-H-8-U-SD-8-MF-SW-WF	1	105W LED (INTEGRAL)		105 VA	120 V
A8-EM	LED STRIP LIGHT	LUMINAIR LIGHTING N3-CS-D-LED-1-30L-H-8-U-SD-8-MF-SW-WF-EM-B	1	105W LED (INTEGRAL)	PROVIDE WITH 90 MINUTE BATTERY BACK-UP	105 VA	120 V
B	TRACK HEAD	CONTECH LIGHTING CT&382-B	1	16 SPAR38GFDI W3000F20-B		21 VA	120 V
D	RECESSED DOWNLIGHT	CONTECH RA4LNC-130K-12D1-EBL	1	16W LED (INTEGRAL)	PROVIDE WITH 90 MINUTE BATTERY BACK-UP	16 VA	120 V
D-EM	RECESSED DOWNLIGHT	CONTECH RA4LNC-130K-12D1-EBL	1	16W LED (INTEGRAL)	PROVIDE WITH 90 MINUTE BATTERY BACK-UP	16 VA	120 V
H	CAS-WRAP PENDANT	BARN LIGHT C-VDBW12-PC-100-SBK-100-CIRCLE-VENT	1	LED		26 VA	120 V
J4	LED STRIP LIGHT	COLUMBIA LCS-4-30-M-L-U	1	48W LED (INTEGRAL)		48 VA	120 V
J8	LED STRIP LIGHT	COLUMBIA LCS-4-30-M-L-U	1	105W LED (INTEGRAL)		105 VA	120 V
J8-EM	LED STRIP LIGHT	COLUMBIA LCS-4-30-M-L-U	1	105W LED (INTEGRAL)		105 VA	120 V
P	LED CYLINDER LIGHT	CONTECH CL6-230K-MVD2-P-M-PL-B	1	28W LED (INTEGRAL)		33 VA	120 V
TRACK	SINGLE CIRCUIT TRACK	CONTECH LIGHTING 2X2 - LB122-2-AGA-12			PROVIDE ALL CONNECTORS, END FEEDS AND ACCESSORIES FOR A COMPLETE AND FUNCTIONAL SYSTEM.		120 V
X1B	EXIT LIGHT	REKA-SF-R-EM-B	1	3W LED (INTEGRAL)	PROVIDE WITH 90 MINUTE BATTERY BACK-UP. BLACK FINISH.	2 VA	120 V
X1P	EXIT LIGHT	REKA-SF-R-EM-P	1	3W LED (INTEGRAL)	PROVIDE WITH 90 MINUTE BATTERY BACK-UP. BLACK FINISH.	2 VA	120 V

**EKLH ENGINEERS**  
 MECHANICAL/ELECTRICAL ENGINEERS  
 WWW.KLHENGERS.COM  
 1538 ALEXANDRIA PIKE, SUITE 111  
 THOMAS, KENTUCKY 41075  
 800-354-9783  
 859-442-8050

**RGLA**  
 rglasolutions, inc.  
 1000 River Road, Ste 125  
 Schiller Park, IL 60176  
 P: 847.671.7452  
 F: 847.671.4200  
 www.rgla.com

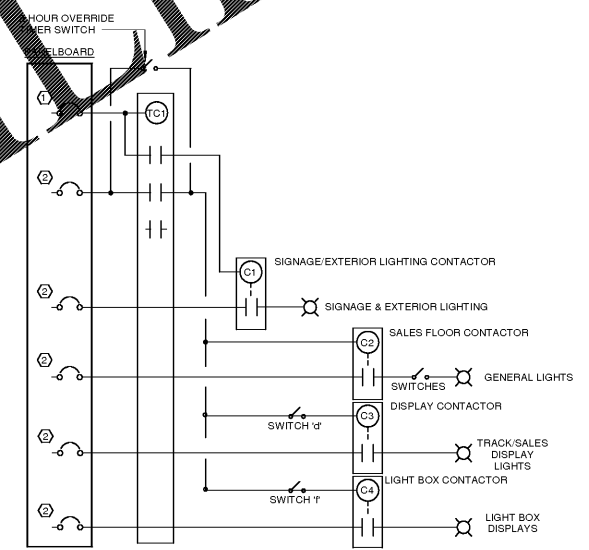
REVISIONS	DATE
ISSUE FOR CLIENT, LANDLORD AND PERMIT	10/27/2017
ISSUE FOR PERMIT	11/17/2017

**LIGHTING CONTROL DESIGN INTENT**

**STOREFRONT LIGHTING AND SIGNAGE:**  
 HARDWARE: LIGHTING CONTACTOR(S) AND TIMELOCK.  
 CONTROL INTENT: STOREFRONT LIGHTING, RECEPTACLES AND SIGNAGE SHALL TURN "ON" AND "OFF" BASED ON THE TIME SCHEDULE(S) PROGRAMMED INTO THE TIMELOCK.

**SALES AREA DISPLAY LIGHTS AND TRACK LIGHTING:**  
 HARDWARE: WALL MOUNTED TOGGLE SWITCH, LIGHTING CONTACTOR AND TIMELOCK.  
 CONTROL INTENT: DURING BUSINESS HOURS (HOURS PROGRAMMED INTO TIMELOCK) THE SALES AREA DISPLAY LIGHTS AND TRACK LIGHTING SHALL TURN "ON" AND "OFF" BASED ON THE TIME SCHEDULE(S) PROGRAMMED INTO THE TIMELOCK.

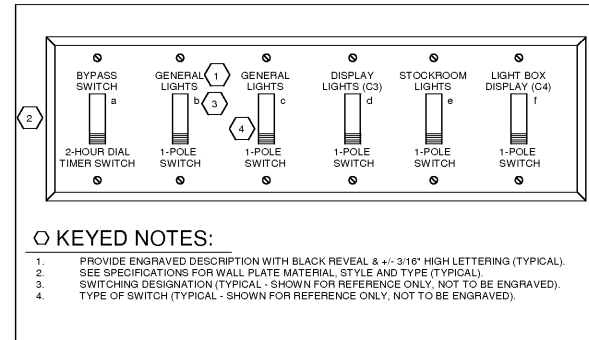
**SALES AREA GENERAL LIGHTING:**  
 HARDWARE: WALL MOUNTED TOGGLE SWITCHES, LIGHTING CONTACTOR AND TIMELOCK.  
 CONTROL INTENT: DURING BUSINESS HOURS (HOURS PROGRAMMED INTO TIMELOCK) THE SALES AREA GENERAL LIGHTING SHALL TURN "ON" AND "OFF" BASED ON THE TIME SCHEDULE(S) PROGRAMMED INTO THE TIMELOCK.  
 THE OVERRIDE SWITCH SHALL OVERRIDE THE TIMELOCK SCHEDULING (FOR A MAXIMUM OF 2 HOURS) AND ALLOW FOR AFTER HOURS CONTROL OF THE LIGHTING.



265100.00-15 - RETAIL LIGHTING CONTACTOR WIRING DIAGRAM  
 SCALE: NONE

**KEYED NOTES:**

- 1. PROVIDE 1-POLE SWITCH CONTROL FOR APPLICABLE CIRCUITS AS DEFINED ON TIMELOCK SCHEDULE.
- 2. PROVIDE CONTACTOR CONTROL FOR APPLICABLE CIRCUITS AS DEFINED ON LIGHTING CONTACTOR SCHEDULE.



262726.00-01 - SWITCH BANK WALL PLATE DETAIL #1  
 SCALE: NONE

**KEYED NOTES:**

- 1. PROVIDE ENGRAVED DESCRIPTION WITH BLACK REVEAL & +/- 3/16" HIGH LETTERING (TYPICAL).
- 2. SEE SPECIFICATIONS FOR WALL PLATE MATERIAL, STYLE AND TYPE (TYPICAL).
- 3. SWITCHING DESIGNATION (TYPICAL - SHOWN FOR REFERENCE ONLY, NOT TO BE ENGRAVED).
- 4. TYPE OF SWITCH (TYPICAL - SHOWN FOR REFERENCE ONLY, NOT TO BE ENGRAVED).

**robert g. lyon + associates, inc.**  
 ARCHITECTS  
 9100 Schiller Park, IL 60176  
 P: 847.671.7452  
 F: 847.671.4200  
 www.rgla.com

THE ABOVE DRAWINGS AND SPECIFICATIONS AND DESIGN AND ARRANGEMENTS REPRESENTED THEREIN ARE AND SHALL REMAIN THE PROPERTY OF THIS OFFICE AND NO PART THEREOF SHALL BE COPIED, DISCLOSED TO OTHERS OR USED IN THE CONNECTION WITH ANY WORK OR PROJECT OTHER THAN THE SPECIFIC PROJECT FOR WHICH THEY HAVE BEEN PREPARED AND DEVELOPED WITHOUT THE WRITTEN CONSENT OF THIS OFFICE. VISUAL CONTACT WITH THESE DRAWINGS OR SPECIFICATIONS SHALL CONSTITUTE CONCLUSIVE EVIDENCE OF ACCEPTANCE OF THESE RESTRICTIONS.

WRITTEN DIMENSIONS ON THESE DRAWINGS SHALL HAVE PRECEDENCE OVER SCALED DIMENSIONS. CONTRACTOR SHALL VERIFY AND BE RESPONSIBLE FOR ALL DIMENSIONS AND CONDITIONS ON THE JOB AND THIS OFFICE MUST BE NOTIFIED OF ANY VARIATIONS BEFORE THE COMMENCEMENT OF WORK. DIMENSIONS AND CONDITIONS SHOWN BY THESE DRAWINGS SHOULD ALSO BE SUBMITTED TO THIS OFFICE FOR APPROVAL BEFORE PROCEEDING WITH FABRICATION.

©2017 RGLA SOLUTIONS, INC.  
 ©2017 ROBERT G. LYON & ASSOCIATES, INC.

**THE NORTH FACE**

AVENTURA MALL  
 19501 BISCAYNE BLVD  
 SPACE #327  
 AVENTURA, FL 33180

ELECTRIC LIGHTING - DETAILS

DRAWN BY	LAH
CHECKED BY	LGF
JOB NUMBER	19811
SHEET NAME	E2.2

Order Plans @

OWNERSHIP OF INSTRUMENTS OF SERVICE  
 All reports, plans, specifications, computer files, field data, notes and other documents and instruments prepared by the Consultant as instruments of service shall remain the property of the Consultant. The Consultant shall retain all common law, statutory and other reserved rights, including, without limitation, the copyright therein.