

ABBREVIATIONS		CONTRACTOR TYPE		MOTOR CONTROL TYPE		CONTROL TYPE	
DC	LOCAL DISCONNECT	EC	ELECTRICAL CONTRACTOR	CS	COMBINATION STARTER	TC	TIMECLOCK
MC	MOTOR CONTROL (POWER)	EX	EXISTING	MCC	MOTOR CONTROL STARTER	CPT	CONTROL POWER TRANSFORMER
SD	DUCT SMOKE DETECTOR	FC	FIRE PROTECTION CONTRACTOR	MG	MAGNETIC STARTER OR CONTACT	BAS	BUILDING AUTOMATION SYSTEM
CN	CONTROLS	GC	GENERAL CONTRACTOR	MS	MANUAL STARTER	LV	LOW VOLTAGE CONTROLS
TS	TOGGLE SWITCH	HC	HVAC CONTRACTOR	VFD	VARIABLE FREQUENCY DRIVE	LN	LINE VOLTAGE CONTROLS
C/B	H.A.C.R. CIRCUIT BREAKER AT SOURCE PANELBOARD	MFR	MANUFACTURER	MSR	MANUAL STARTER W/ CONTROL RELAY	RLINE	REVERSE ACTING LINE VOLTAGE THERMOSTAT
FUSE	FUSE AT LOCAL DISCONNECT (VERIFY FIELD RATING)	PC	PLUMBING CONTRACTOR	OV	OVERCURRENT PROTECTION	MAN	MANUAL
FLA	OPERATING FULL LOAD AMPS	OR	OWNER OR OTHERS			FA	FIRE ALARM
MCA	MINIMUM CIRCUIT AMPACITY					CO	CARBON MONOXIDE SENSOR
CP	CORD AND PLUG CONNECTION					INT	INTEGRAL TO EQUIPMENT

EQUIPMENT MARK	DESCRIPTION	VOLTS (V)	PHASE	EMERGENCY	BHP (HP)	HP (HP)	HTG (kW)	WATTS	FLA (A)	MCA (A)	OCF (A)	DC TYPE	DC FURN	DC INST	DC WIRE	MC TYPE	MC FURN	MC INST	MC WIRE	CN TYPE	CN FURN	CN INST	CN WIRE	SD TYPE	
AH-1	AIR SOURCE UNITARY HEAT PUMP	208	3						5.2	7	15		EC	EC	EC	MG	MFR	MFR	MFR	LOW	HC	HC	HC	HC	DUCT SMOKE
CU-1	AIR COOLED CONDENSING UNIT	208	3						39	42	60		EC	EC	EC	MG	MFR	MFR	MFR	LOW	HC	HC	HC	HC	
EF-1	CEILING MOUNTED VENTILATOR	120	1					128					MFR	MFR	MFR	MG	MFR	MFR	MFR	OCC	EC	EC	EC	EC	
EF-2	INLINE CENTRIFUGAL FAN	120	1					547					EC	EC	EC	MG	MFR	MFR	MFR	LINE	EC	EC	EC	EC	

**HVAC LOAD SCHEDULE**  
 THE HEATING AND COOLING LOAD CALCULATIONS ARE BASED ON THE CLTD/CLF (COOLING LOAD TEMPERATURE DIFFERENCE/COOLING LOAD FACTOR) METHOD. ASSUMPTIONS AND EXECUTION OF THESE METHODS ARE PER ASHRAE 183-2007...

EQUIPMENT MARK	COOLING LOAD BREAKDOWN												HEATING LOAD BREAKDOWN											
	CROOF	CWALL	CPART	CGLASS	CSOLAR	CLIGHTS	CEQUIP	CPSENS	CSSENS	CFAN	COAS	CTSENS	CPLAT	CTLAT	CTOT	HROOF	HWALL	HPART	HGLASS	HSLAB	HSPACE	HOA	HTOT	HCU
AH-1	0	0	0	0	0	0	32.8	0	10	42.9	2.4	13.5	87.8	9.7	24.6	34.3	0	0	0	0	0	0	0	0
CU-1	0	0	0	0	0	0	32.8	0	10	42.9	2.4	13.5	87.8	9.7	24.6	34.3	0	0	0	0	0	0	0	0

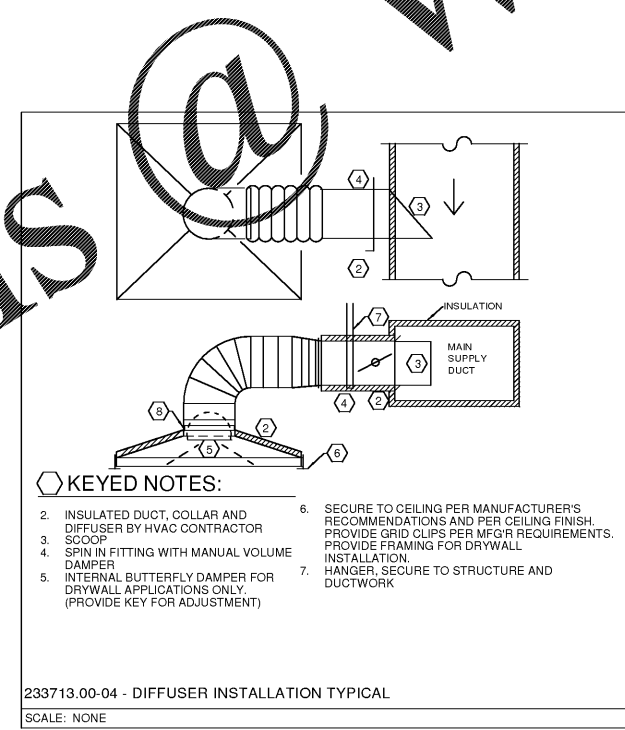
NUMBER	NAME	AREA	PEOPLE RED	OA PER PERSON	OA PER SQ FT.	REQ SUP	ACT SUP	REQ OA	ACT OA	ACT RET	ACT EXH	CRIT OA	PRESSURE	PCT OPERABLE	NATURAL VENTILATION
100	Sales Area	3067 SF	34	7.5	0.12	2981	0	0	0	3000	0	0.2183	E	0	
102	Bedroom	54 SF	0	0	0	0	0	0	0	0	0	0	E	0	
103	FL Room	51 SF	0	7.5	0.12	48	0	10	50	0	0	0.36	E	0	
104	FL Room	39 SF	0	7.5	0.12	48	0	10	50	0	0	0.3	E	0	
105	Stockroom	Not Placed	2	5	0.06	495	500	104	105	500	0	0.142	E	0	

EQUIPMENT MARK	DESCRIPTION	WEIGHT (lbs)	MANUFACTURER	MODEL	VOLTS	PHASE	WATTS (Watts)	CFM (cfm)	ESP (in WC)	FAN RPM (rpm)
AH-1	AIR SOURCE UNITARY HEAT PUMP	450	CARRIER	40RUQ-12	208	3	0.5	79		

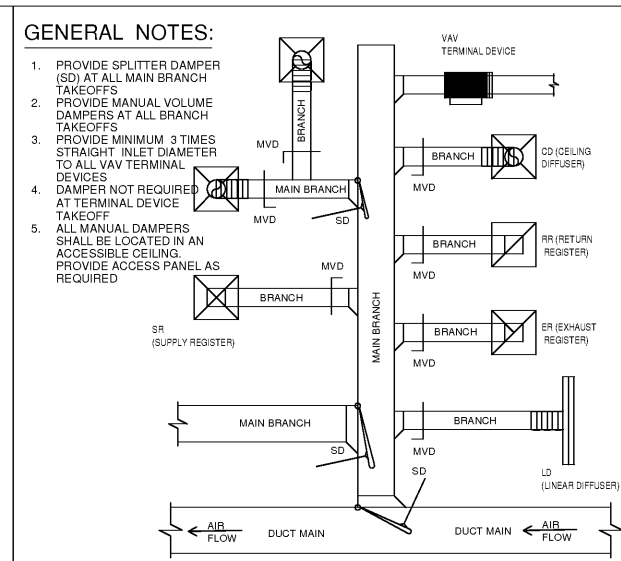
EQUIPMENT MARK	DESCRIPTION	LOCATION	STATUS	WEIGHT (lbs)	MANUFACTURER	MODEL	VOLTS	PHASE	WATTS (Watts)	CFM (cfm)	ESP (in WC)	FAN RPM (rpm)
AH-1	CEILING MOUNTED VENTILATOR	RESTROOM	NEW	10	GREENHECK	SP-B150	120	1	128	120	0.25	1050
AH-2	INLINE CENTRIFUGAL FAN	OUTSIDE AIR DUCT	NEW	10	GREENHECK	CSP-A1150	120	1	547	760	1	0

TAG	Manufacturer	MODEL	FACE	MOUNTING	MATERIAL	FINISH	DAMPER TYPE	BORDER STYLE	REMARKS
S2	TITUS	OMNI	12"x12"	CEILING	STEEL	STANDARD WHITE	BUTTERFLY	LAY-IN PANEL, PROVIDE FRAME FOR CEILING MOUNTING	
S4	TITUS	350RL		DUCT	STEEL	STANDARD WHITE	PARALLEL BLADE	SURFACE MOUNT	
S5	TITUS	300RS	6"x10"	DUCT	STEEL	STANDARD WHITE	PARALLEL BLADE	SURFACE MOUNT	
T1	TITUS	350RL	24"x12" RG	CEILING	STEEL	STANDARD WHITE	OPPOSED BLADE	LAY-IN PANEL, PROVIDE FRAME FOR CEILING MOUNTING	
T2	TITUS	350RL	24"x24" RG	CEILING	STEEL	STANDARD WHITE	OPPOSED BLADE	LAY-IN PANEL, PROVIDE FRAME FOR CEILING MOUNTING	

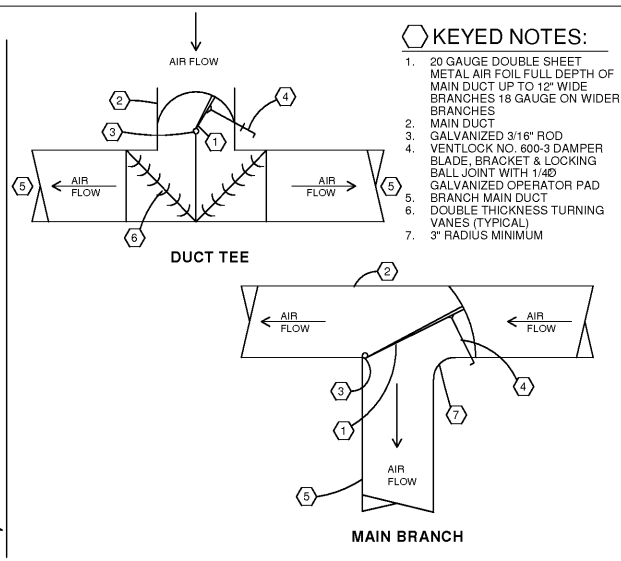
Equipment Mark	DESCRIPTION	WEIGHT (lbs)	MANUFACTURER	MODEL	VOLTS	PHASE	MAT CLG DB (Deg F)	CLG MBH (mbh)	CLG SENS (mbh)	HTG MBH (mbh)	HTG (Deg F)	FLA (amps)	MCA (amps)	OCF (amps)
CU-1	AIR COOLED CONDENSING UNIT	645	CARRIER	38AUD-12	208	3	79	122	88	16	74	5.2	7	15



233713.00-04 - DIFFUSER INSTALLATION TYPICAL  
SCALE: NONE



233300.00-01 - MANUAL DAMPER DETAIL  
SCALE: NONE



233300.00-02 - DUCT TEE AND MAIN BRANCH  
SCALE: NONE

**KLH ENGINEERS**  
 MECHANICAL/ELECTRICAL ENGINEERS  
 WWW.KLHENGERS.COM  
 1538 ALEXANDRIA PIKE, SUITE 11 FT. THOMAS, KENTUCKY  
 41075 800-354-9783  
 859-442-8050  
 859-442-8050

**RGLA**  
 Mechanical/Electrical Engineers  
 11111 River Road, Ste 125  
 Schiller Park, IL 60176  
 P: 847.671.7452  
 F: 847.671.4200  
 www.rgla.com

REVISIONS	DATE
ISSUE FOR BID, CLIENT, LANDLORD AND PERMIT	10/27/2017

**robert g. lyon + associates, inc.**  
 18001 Biscayne Blvd, Suite 100  
 Biscayne Park, FL 33180  
 P: 847.671.7452  
 F: 847.671.4200  
 www.rgla.com

THE ABOVE DRAWINGS AND SPECIFICATIONS AND DESIGN AND ARRANGEMENTS REPRESENTED THEREIN ARE AND SHALL REMAIN THE PROPERTY OF THIS OFFICE AND NO PART THEREOF SHALL BE COPIED, DISCLOSED TO OTHERS OR USED IN THE CONNECTION WITH ANY WORK OR PROJECT OTHER THAN THE SPECIFIC PROJECT FOR WHICH THEY HAVE BEEN PREPARED AND DEVELOPED WITHOUT THE WRITTEN CONSENT OF THIS OFFICE. VISUAL CONTACT WITH THESE DRAWINGS OR SPECIFICATIONS SHALL CONSTITUTE CONCLUSIVE EVIDENCE OF ACCEPTANCE OF THESE RESTRICTIONS.

WRITTEN DIMENSIONS ON THESE DRAWINGS SHALL HAVE PRECEDENCE OVER SCALED DIMENSIONS. CONTRACTOR SHALL VERIFY AND BE RESPONSIBLE FOR ALL DIMENSIONS AND CONDITIONS ON THE JOB AND THIS OFFICE MUST BE NOTIFIED OF ANY DISCREPANCIES IMMEDIATELY. DIMENSIONS AND CONDITIONS SHOWN BY THESE DRAWINGS SHOULD ALSO BE SUBMITTED TO THIS OFFICE FOR APPROVAL BEFORE PROCEEDING WITH FABRICATION.

©2017 RGLA SOLUTIONS, INC.  
 ©2017 ROBERT G. LYON & ASSOCIATES, INC.

**THE NORTH FACE**  
 AVENTURA MALL  
 19501 BISCAYNE BLVD  
 SPACE #327  
 AVENTURA, FL 33180

MECHANICAL - SCHEDULES	
DRAWN BY	BJC
CHECKED BY	KCN
JOB NUMBER	19811
SHEET NAME	M3.1

**Order Plans**

OWNERSHIP OF INSTRUMENTS OF SERVICE  
 All reports, plans, specifications, computer files, field data, notes and other documents and instruments prepared by the Consultant as instruments of service shall remain the property of the Consultant. The Consultant shall retain all common law, statutory and other reserved rights, including, without limitation, the copyright therein.