

REVISIONS	DATE
ISSUE FOR BIDDING LANDLORD AND PERMIT	10/27/2017

robert g. lyon + associates, inc.
ARCHITECTS
1000 River Road, Ste 125
Schaumburg, IL 60176
P: 847.671.7452
F: 847.671.4200
www.rgla.com

THE ABOVE DRAWINGS AND SPECIFICATIONS AND IDEAS, DESIGN AND ARRANGEMENTS REPRESENTED THEREIN ARE AND SHALL REMAIN THE PROPERTY OF THIS OFFICE. AND NO PART THEREOF SHALL BE COPIED, DISCLOSED TO OTHERS OR USED IN THE CONNECTION WITH ANY WORK OR PROJECT OTHER THAN THE SPECIFIC PROJECT FOR WHICH THEY HAVE BEEN PREPARED AND DEVELOPED WITHOUT THE WRITTEN CONSENT OF THIS OFFICE. VISUAL CONTACT WITH THESE DRAWINGS OR SPECIFICATIONS SHALL CONSTITUTE CONCLUSIVE EVIDENCE OF ACCEPTANCE OF THESE RESTRICTIONS.

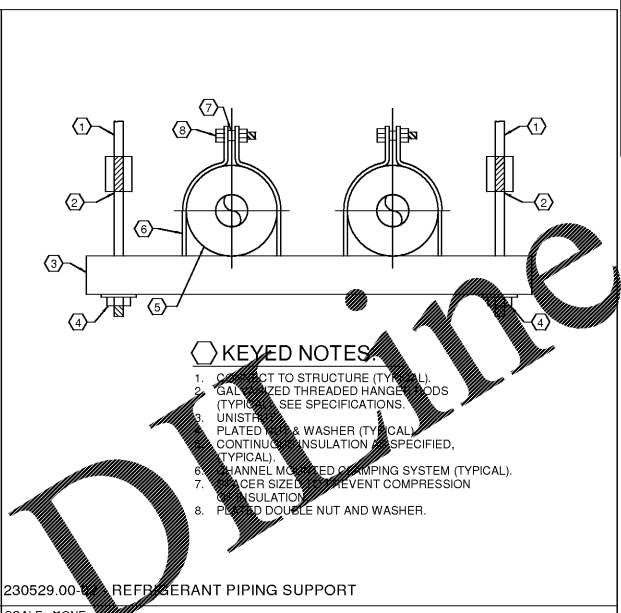
WRITTEN DIMENSIONS ON THESE DRAWINGS SHALL HAVE PRECEDENCE OVER SCALE DIMENSIONS. CONTRACTOR SHALL VERIFY AND BE RESPONSIBLE FOR ALL DIMENSIONS AND CONDITIONS ON THE JOB AND THIS OFFICE MUST BE NOTIFIED OF ANY DISCREPANCIES IMMEDIATELY. DIMENSIONS AND CONDITIONS SHOWN BY THESE DRAWINGS SHALL BE ALIGNED WITH THE DIMENSIONS AND CONDITIONS SHOWN BY THESE DRAWINGS. APPROVAL SHALL BE OBTAINED TO THIS OFFICE FOR APPROVAL BEFORE PROCEEDING WITH FABRICATION.

©2017 RGLA SOLUTIONS, INC.
©2017 ROBERT G. LYON ASSOCIATES, INC.

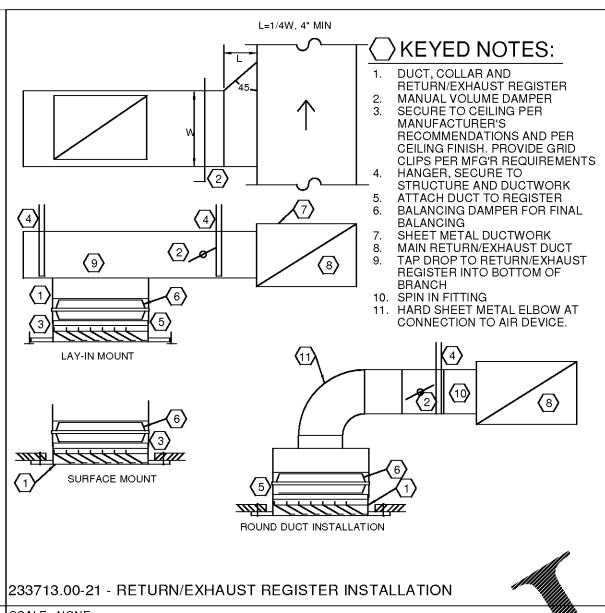
THE NORTH FACE
AVENTURA MALL
19501 BISCAYNE BLVD
SPACE #327
AVENTURA, FL 33180

MECHANICAL - DETAILS

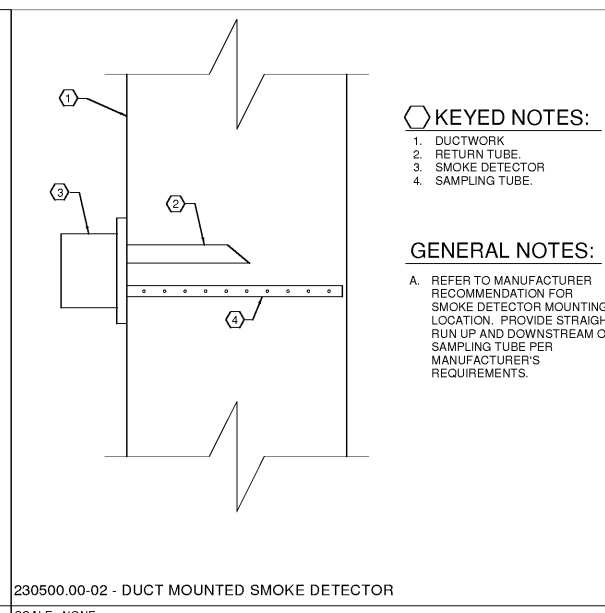
DRAWN BY	BJC
CHECKED BY	KCN
JOB NUMBER	19811
SHEET NAME	M2.1



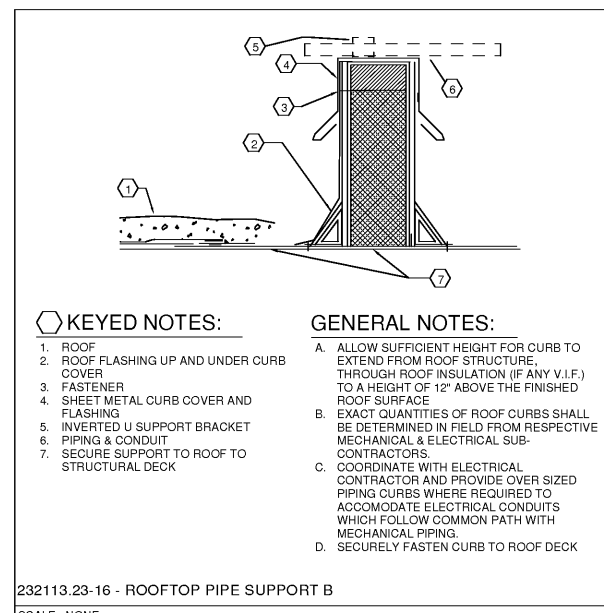
230529.00-01 - REFRIGERANT PIPING SUPPORT
SCALE: NONE



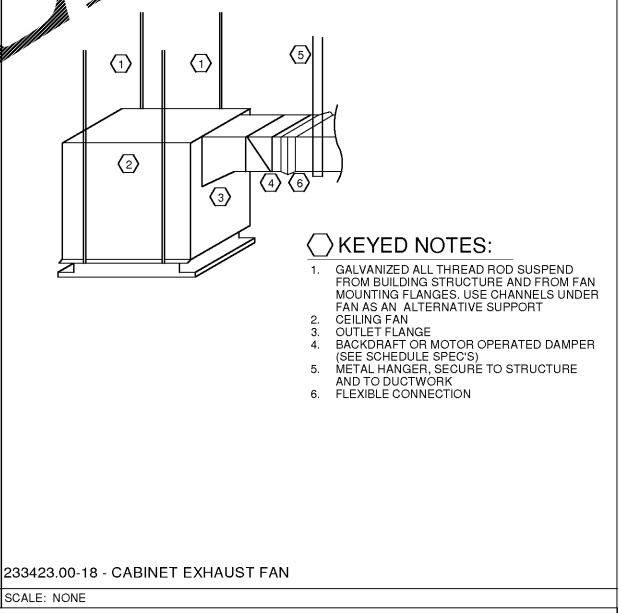
233713.00-21 - RETURN/EXHAUST REGISTER INSTALLATION
SCALE: NONE



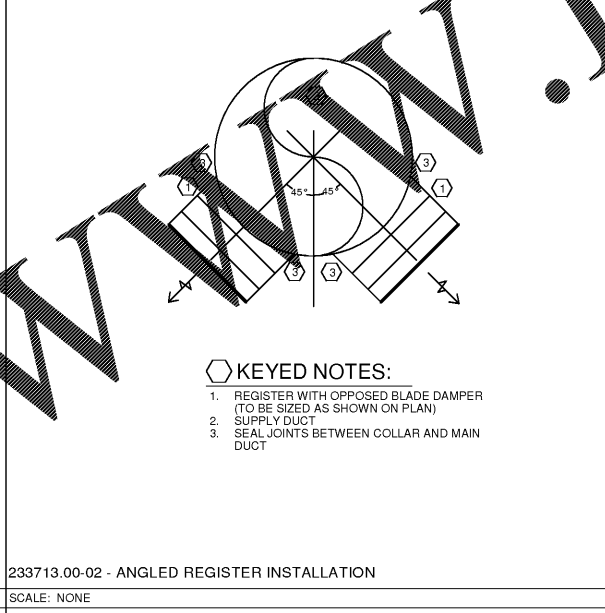
230500.00-02 - DUCT MOUNTED SMOKE DETECTOR
SCALE: NONE



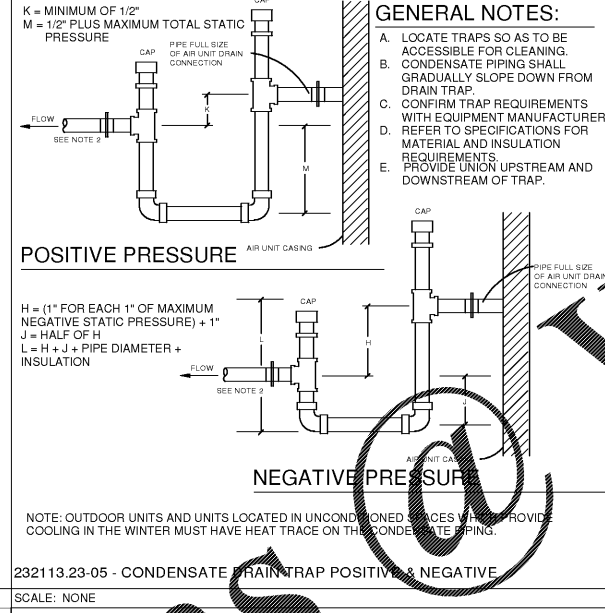
232113.23-16 - ROOFTOP PIPE SUPPORT B
SCALE: NONE



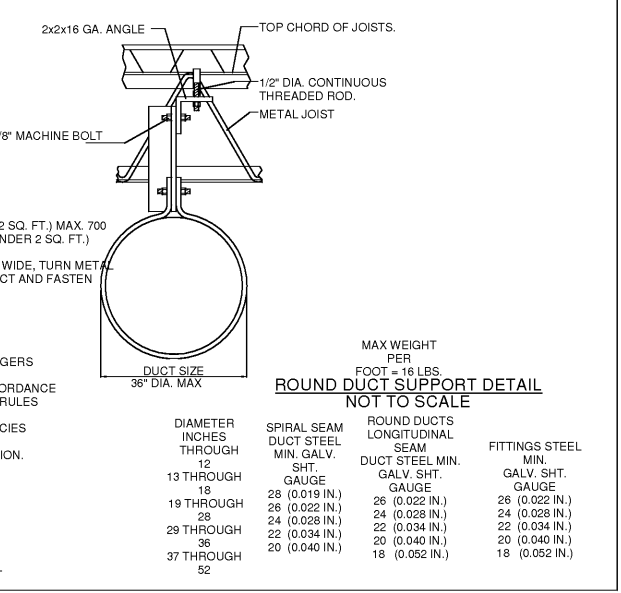
233423.00-18 - CABINET EXHAUST FAN
SCALE: NONE



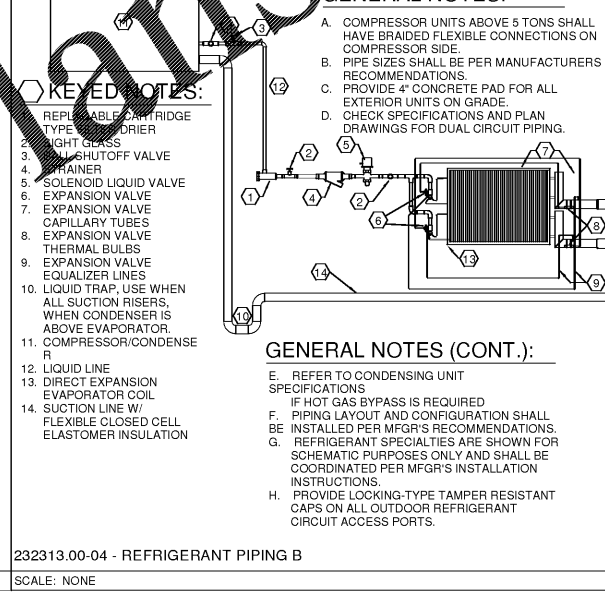
233713.00-02 - ANGLED REGISTER INSTALLATION
SCALE: NONE



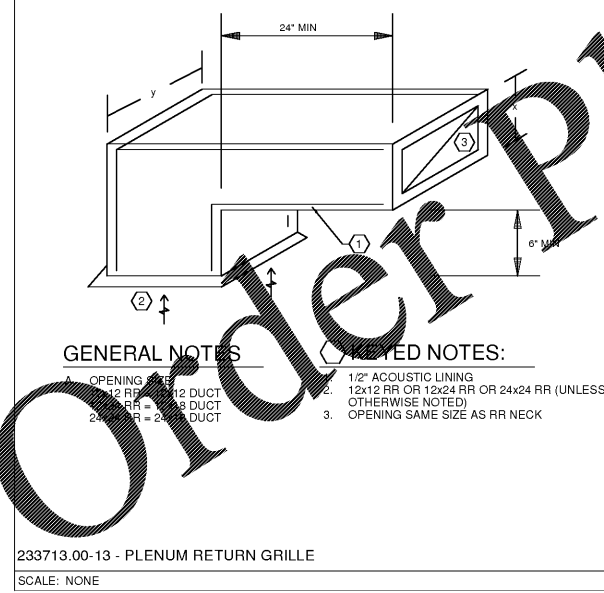
232113.23-05 - CONDENSATE DRAIN TRAP POSITIVE & NEGATIVE
SCALE: NONE



233713.00-10 - DUCT SUPPORT DETAIL D
SCALE: NONE



232313.00-04 - REFRIGERANT PIPING B
SCALE: NONE



233713.00-13 - PLENUM RETURN GRILLE
SCALE: NONE

OWNERSHIP OF INSTRUMENTS OF SERVICE
All reports, plans, specifications, computer files, field data, notes and other documents and instruments prepared by the Consultant as instruments of service shall remain the property of the Consultant. The Consultant shall retain all common law, statutory and other reserved rights, including, without limitation, the copyright therein.

Order Plans