

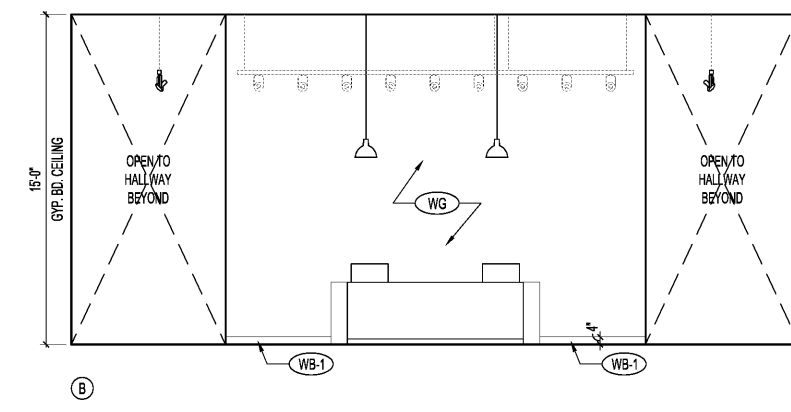
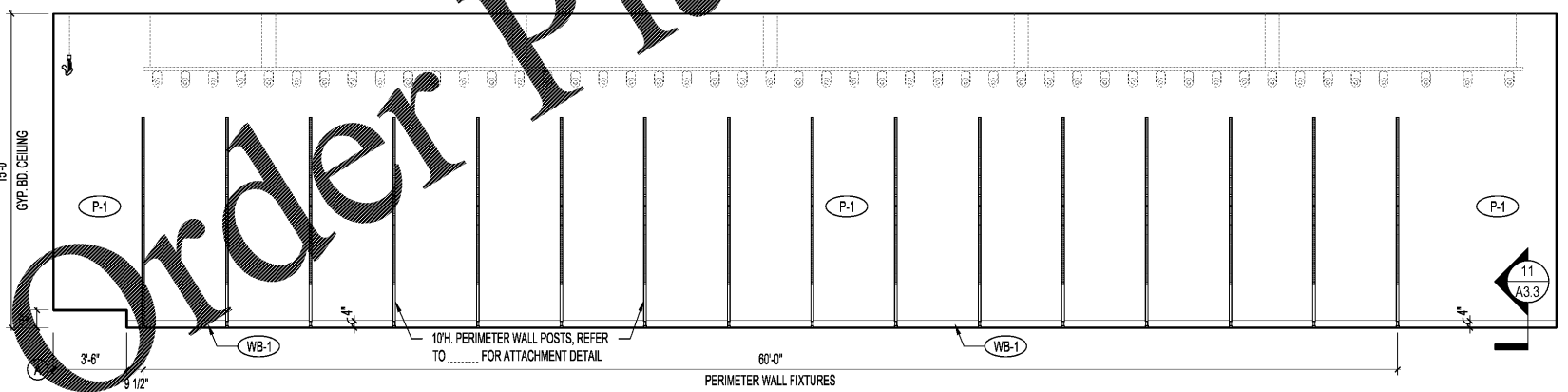
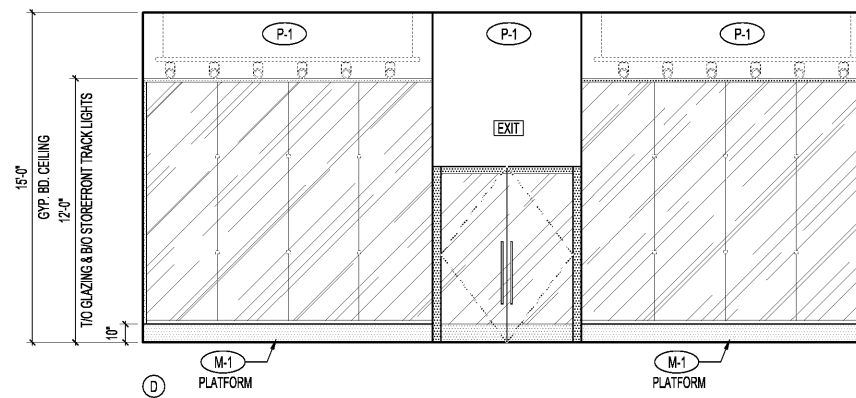
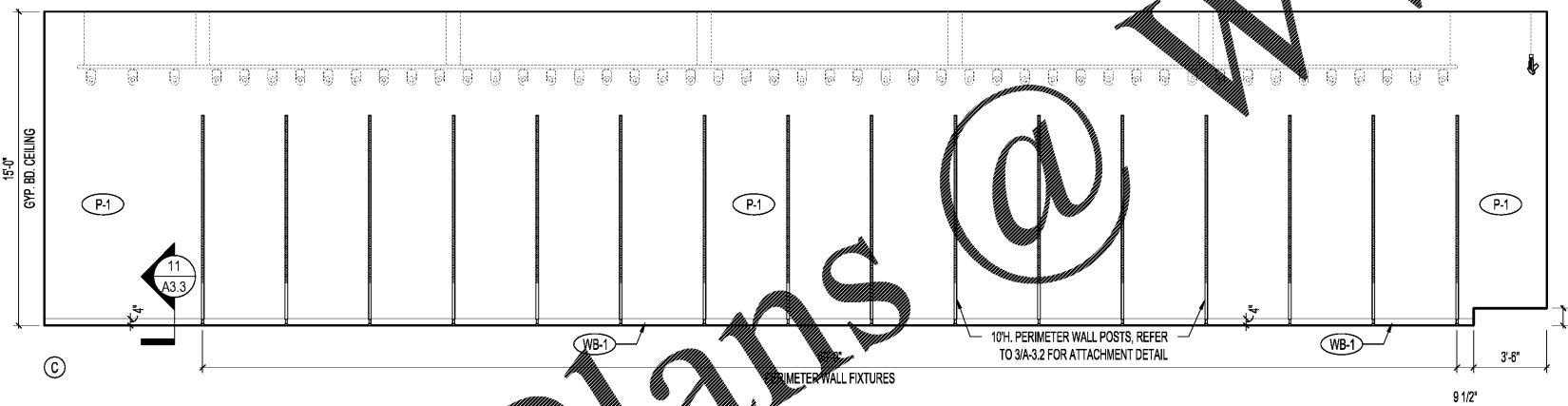
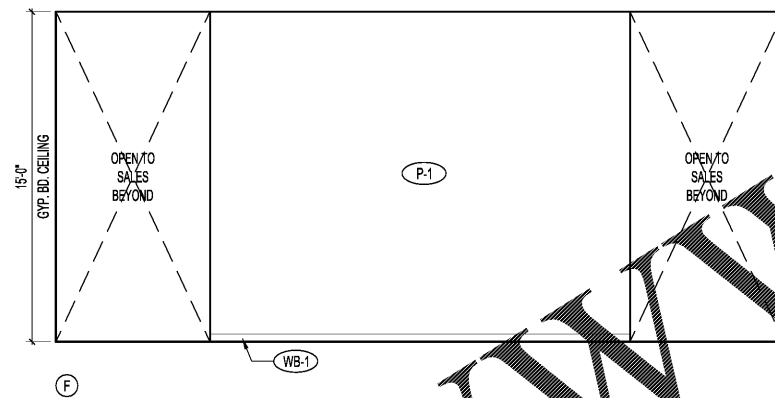
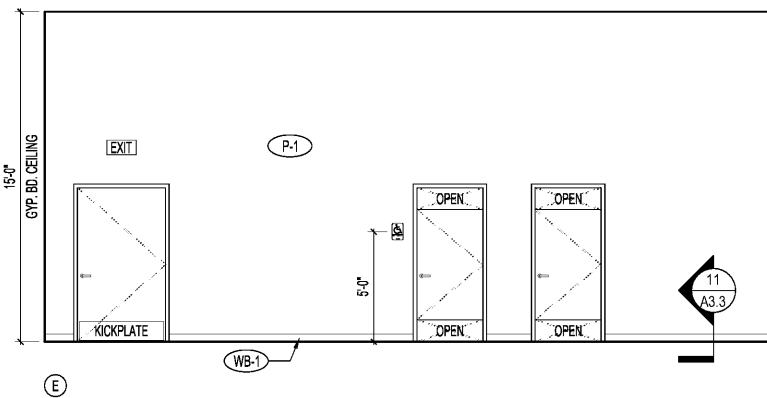
- BULLETIN BOARD. COORDINATE WITH TNF PM. PROVIDED BY TNF, INSTALLED BY G.C. REFER TO SHEET G-1.5 FOR QUANTITY REQD.
- G.C. TO INSTALL FRP BEHIND DRINKING FOUNTAIN AS SHOWN.
- 4' x 8' PLYWOOD BY G.C. FOR NETWORK CABINET, TELEPHONE BOARD AND SECURITY SYSTEM. REFER TO ELECTRICAL DRAWINGS FOR MORE INFO.
- ELECTRICAL PANELS. REFER TO ELECTRICAL DRAWINGS.
- HANGER STORAGE SYSTEM PROVIDED BY TNF, INSTALLED BY G.C.
- FILE CABINET PROVIDED AND INSTALLED BY TNF VENDOR.
- RECEIVING STATION. PROVIDED BY TNF, INSTALLED BY G.C.
- TV STAND. PROVIDED BY TNF AND INSTALLED BY G.C.
- SECURITY CABINET PROVIDED BY TNF VENDOR, INSTALLED BY G.C.
- LOCKERS PROVIDED BY TNF VENDOR, INSTALLED BY G.C.
- UNDER-COUNTER REFRIGERATOR PROVIDED BY TNF, INSTALLED BY G.C. MODIFY LIP AT REFRIGERATOR LOCATION IN ORDER TO MAINTAIN 34" COUNTER HEIGHT. REFER TO SHEET G-1.5 FOR SPECIFICATION.
- PURELL DISPENSER, REFER TO SHEET G-1.5 FOR SPECIFICATION.
- MICROWAVE PROVIDED BY TNF, INSTALLED BY G.C.
- MANAGERS DESK, BREAK COUNTER & SHELVES PROVIDED AND INSTALLED BY G.C. REFER TO SECTIONS FOR MORE INFORMATION.
- MUZAK CABINET PROVIDED AND INSTALLED BY TNF VENDOR. ALL REQUIRED LOW VOLTAGE WIRING BY THE LV CONTRACTOR. REFER TO ELECTRICAL DRAWINGS FOR MORE INFO.
- PRINTER FURNISHED AND INSTALLED BY TNF.
- UNDER-COUNTER SAFE PROVIDED BY TNF, INSTALLED BY G.C.
- COMPUTER/MONITOR PROVIDED AND INSTALLED BY TNF.
- MANAGERS DESK FILE CABINETS PROVIDED BY TNF, INSTALLED BY G.C.
- CCTV DVR PROVIDED AND INSTALLED BY TNF VENDOR.
- FAX MACHINE PROVIDED AND INSTALLED BY TNF. G.C. TO PROVIDE LOWER SHELF TO ALLOW ACCESS.
- SHRELS PROVIDED AND INSTALLED BY TNF.
- SHRELS CONTAINER AND BRACKET PROVIDED BY TNF, INSTALLED BY G.C. REFER TO SHEET G-1.5 FOR SPECIFICATION.

2 ELEVATIONS - STOCKROOM

3 ELEVATION KEY NOTES

SCALE
1/4"=1'-0"

SCALE
NONE



1 ELEVATIONS - SALES

SCALE
1/4"=1'-0"

RGLA
rgla solutions, inc.
12501 River Road, Ste 125
Schiller Park, IL 60176
p: 847.671.7452
f: 847.671.4200
www.rgla.com

REVISIONS	DATE
ISSUE FOR CLIENT AND LANDLORD	10/27/2017
ISSUE FOR PERMIT	11/17/2017
ISSUE FOR BID - REV 1	11/27/2017

robert g. lyon + associates, inc.
retail architecture
5101 North Broadway
Schiller Park, IL 60176
p: 847.671.7452
f: 847.671.4200
www.rgla.com

THE ABOVE DRAWINGS AND SPECIFICATIONS AND IDEAS, DESIGN AND ARRANGEMENTS REPRESENTED THEREIN ARE AND SHALL REMAIN THE PROPERTY OF THIS OFFICE AND NO PART THEREOF SHALL BE COPIED, DISCLOSED TO OTHERS OR USED IN THE CONNECTION WITH ANY WORK OR PROJECT OTHER THAN THE SPECIFIC PROJECT FOR WHICH THEY HAVE BEEN PREPARED AND DEVELOPED WITHOUT THE WRITTEN CONSENT OF THIS OFFICE. VISUAL CONTACT WITH THESE DRAWINGS OR SPECIFICATIONS SHALL CONSTITUTE CONCLUSIVE EVIDENCE OF ACCEPTANCE OF THESE RESTRICTIONS. WRITTEN DIMENSIONS ON THESE DRAWINGS SHALL HAVE PRECEDENCE OVER SCALED DIMENSIONS. CONTRACTORS SHALL VERIFY AND BE RESPONSIBLE FOR ALL DIMENSIONS AND CONDITIONS ON THE JOB AND THIS OFFICE MUST BE NOTIFIED OF ANY VARIATIONS FROM THE DIMENSIONS AND CONDITIONS SHOWN BY THESE DRAWINGS 30 DAYS BEFORE PROCEEDING WITH FABRICATION.

©2017 RGLA SOLUTIONS, INC.
©2017 ROBERT G. LYON + ASSOCIATES, INC.

THE NORTH FACE
AVENTURA MALL
19501 BISCAYNE BLVD
SPACE #327
AVENTURA, FL 33180

INTERIOR ELEVATIONS
AND WALL COVERING
FINISHES

DRAWN BY	AC
CHECKED BY	KK
JOB NUMBER	17183
SHEET NAME	A-5.1