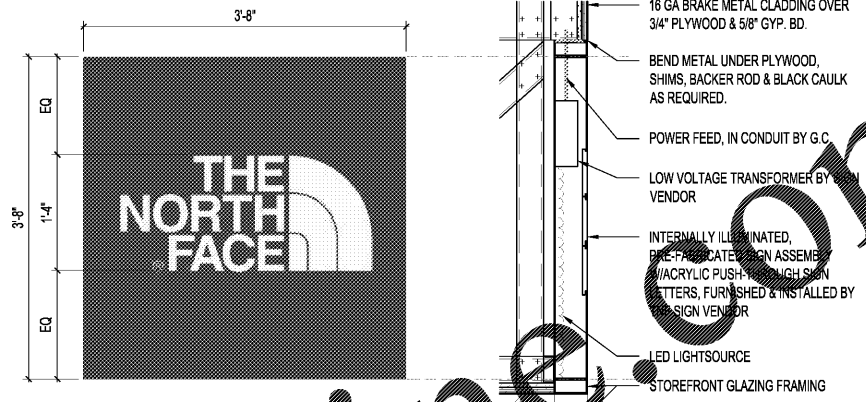


SIGN NOTES:

1. THE SIGN MANUFACTURER SHALL PREPARE SHOP DRAWINGS FOR THE PROPOSED SIGN(S) AND SUBMIT TO THE TENANT, LANDLORD AND ANY OTHER JURISDICTIONS REQUIRING APPROVALS AND / OR PERMITS FOR APPROVAL PRIOR TO FABRICATION AND INSTALLATION.
2. THE STOREFRONT SIGN SHALL COMPLY WITH IBC SECTION 402.16 IN REGARDS TO AREA, HEIGHT & WIDTH, LOCATION, MATERIALS, ETC.
3. THE STOREFRONT SIGN SHALL HAVE A MIN. CLASS B FLAME SPREAD INDEX PER IBC 402.8 & TABLE 803.9 OR OTHER LOCAL CODE REQUIREMENTS.

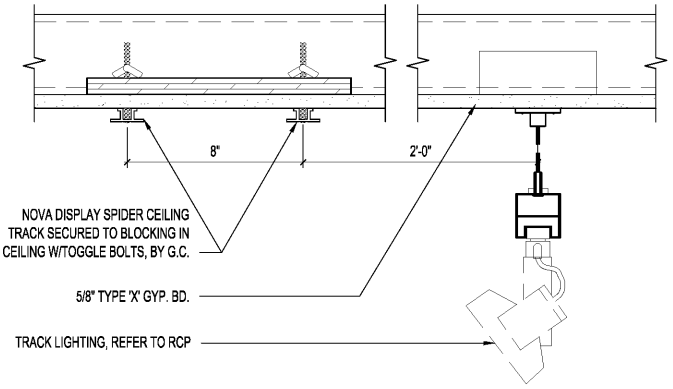


RGLA
 rgl solutions, inc.
 1501 River Road, Ste 125
 Schiller Park, IL 60176
 p: 847.671.7452
 f: 847.671.4200
 www.rgla.com

REVISIONS	DATE
ISSUE FOR CLIENT AND LANDLORD	10/27/2017
ISSUE FOR PERMIT	11/17/2017
ISSUE FOR BID - REV 1	11/27/2017

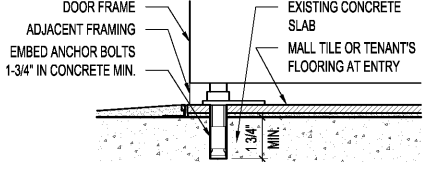
8 STOREFRONT SIGN DETAIL

SCALE
1"=1'-0"



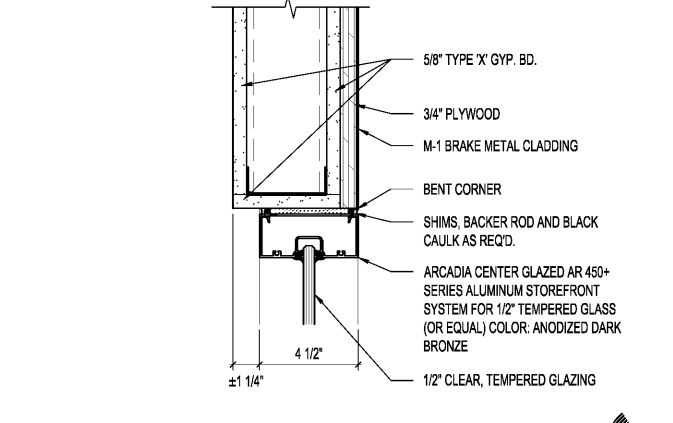
6 SPIDER TRACK DETAIL

SCALE
3/4"=1'-0"



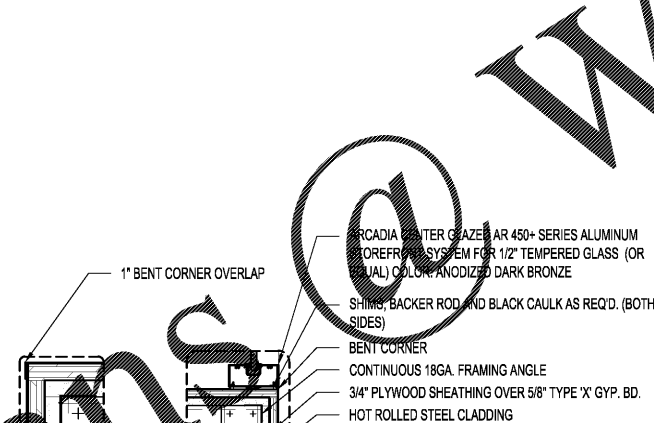
7 ENTRY ANCHORING DETAIL

SCALE
3/4"=1'-0"



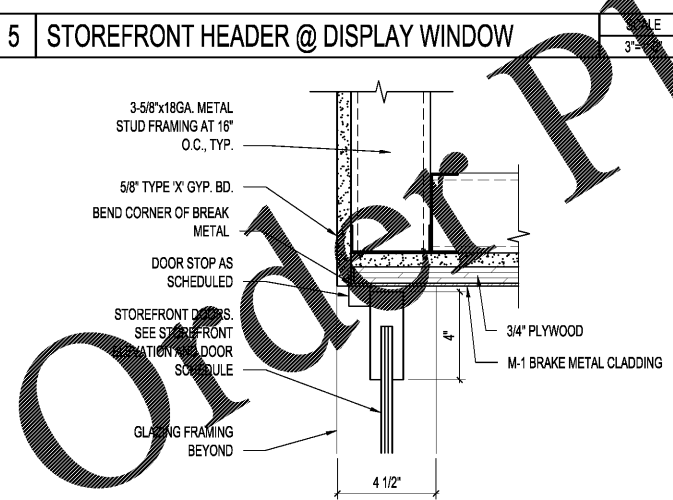
5 STOREFRONT HEADER @ DISPLAY WINDOW

SCALE
3/4"=1'-0"



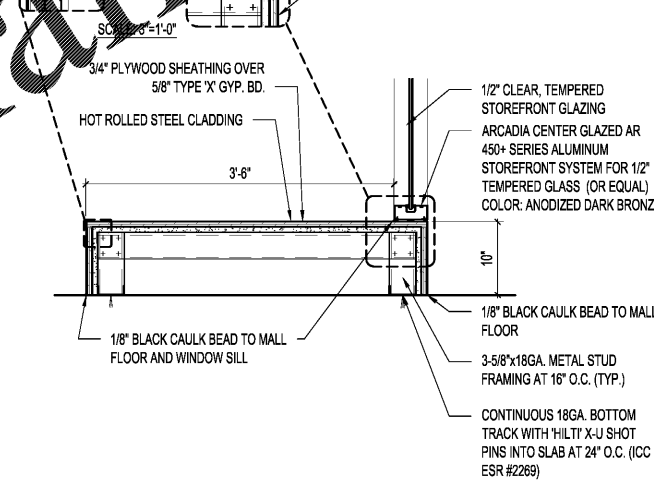
3 STOREFRONT BASE @ GLASS

SCALE
1"=1'-0"



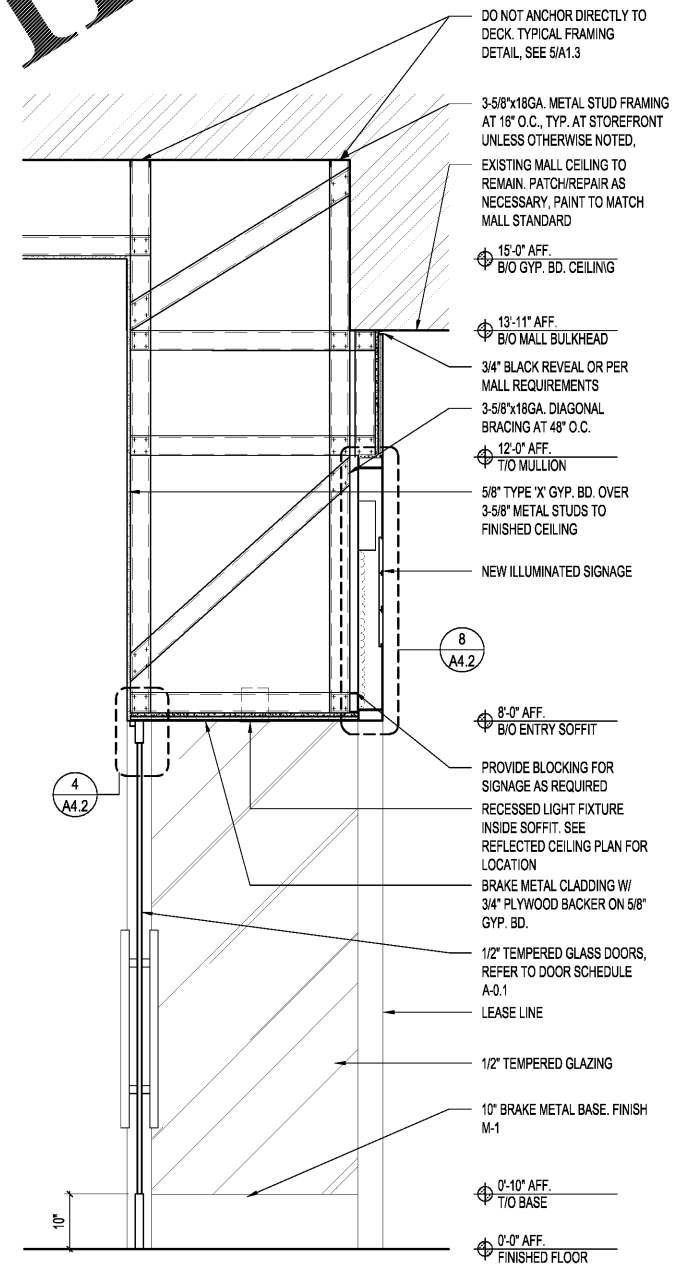
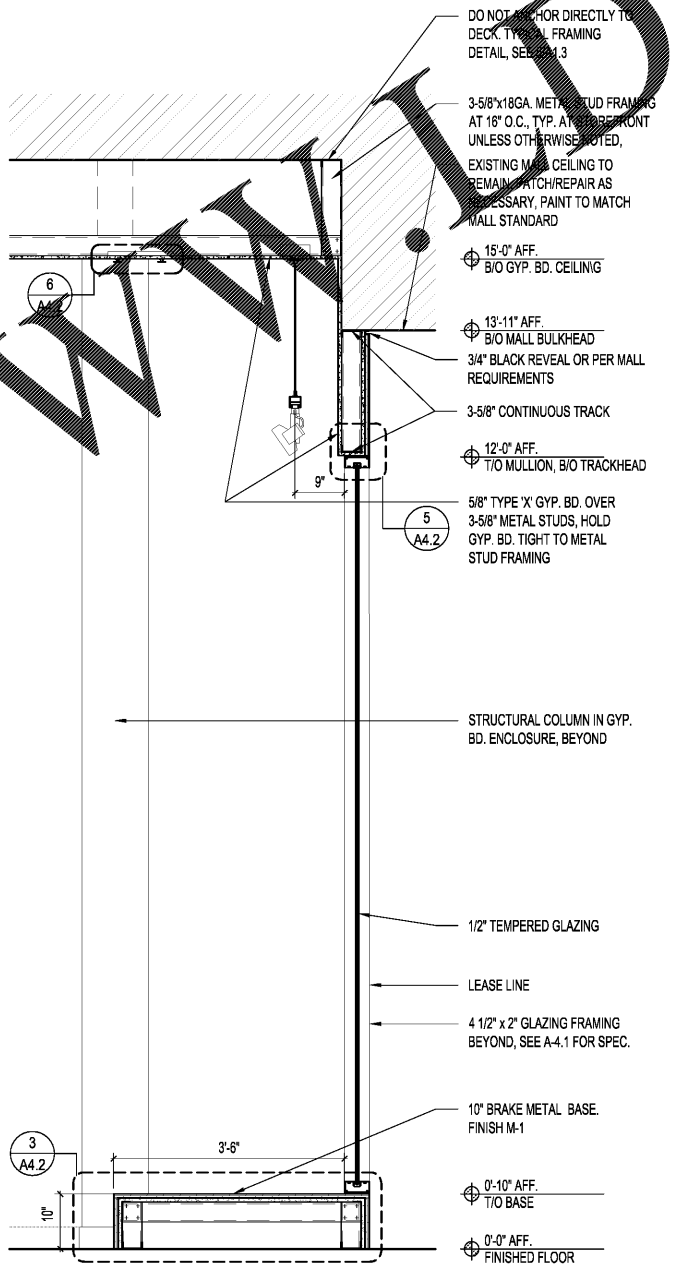
4 DOOR STOP DETAIL

SCALE
3/4"=1'-0"



2 STOREFRONT SECTION @ DISPLAY WINDOW

SCALE
3/4"=1'-0"



1 STOREFRONT SECTION @ ENTRY

SCALE
3/4"=1'-0"

robert g. lyon + associates, inc.
 retail architecture
 5100 Schiller Park, IL 60176
 p: 847.671.7452
 f: 847.671.4200
 www.rgla.com

THE ABOVE DRAWINGS AND SPECIFICATIONS AND DEAS, DESIGNS AND ARRANGEMENTS REPRESENTED THEREIN ARE AND SHALL REMAIN THE PROPERTY OF THIS OFFICE AND NO PART THEREOF SHALL BE COPIED, DISCLOSED TO OTHERS OR USED IN THE CONNECTION WITH ANY WORK OR PROJECT OTHER THAN THE SPECIFIC PROJECT FOR WHICH THEY HAVE BEEN PREPARED AND DEVELOPED WITHOUT THE WRITTEN CONSENT OF THIS OFFICE. VISUAL CONTACT WITH THESE DRAWINGS OR SPECIFICATIONS SHALL CONSTITUTE CONCLUSIVE EVIDENCE OF ACCEPTANCE OF THESE RESTRICTIONS. WRITTEN DIMENSIONS ON THESE DRAWINGS SHALL HAVE PRECEDENCE OVER SCALED DIMENSIONS. CONTRACTORS SHALL VERIFY AND BE RESPONSIBLE FOR ALL DIMENSIONS AND CONDITIONS ON THE JOB AND THIS OFFICE MUST BE NOTIFIED OF ANY VARIATIONS FROM THE DIMENSIONS AND CONDITIONS SHOWN BY THESE DRAWINGS 30-DAY IN WRITING. ALL DIMENSIONS AND CONDITIONS MUST BE SUBMITTED TO THIS OFFICE FOR APPROVAL BEFORE PROCEEDING WITH FABRICATION.

©2017 RGLA SOLUTIONS, INC.
 ©2017 ROBERT G. LYON + ASSOCIATES, INC.

THE NORTH FACE

AVENTURA MALL
 19501 BISCAYNE BLVD
 SPACE #327
 AVENTURA, FL 33180

STOREFRONT SECTIONS AND DETAILS

DRAWN BY	AC
CHECKED BY	KK
JOB NUMBER	17183
SHEET NAME	A-4.2