

CEILING PLAN KEY NOTES

- TENANT'S LEASE LINE
- J-BOX FOR SIGNAGE. COORDINATE EXACT LOCATION WITH SIGN SHOP DRAWINGS
- CENTER RECESSED DOWN-LIGHT AT ENTRY
- NOVA DISPLAY, INC. SPIDER TRACK ALONG SOFFIT. SEE DETAIL 6/A-4.2
- TRIM SPIDER TRACK TO ALIGN W/ADJACENT
- CONCEALED SPRINKLER HEADS AT STOREFRONT TO BE LOCATED IN FRONT OF ENTRY PORTAL LIGHT FIXTURE. COORDINATE REQUIREMENTS WITH SPRINKLER ENGINEER. PAINT HEADS TO MATCH ADJACENT CEILING FINISH (P-2).

RGLA
 rgl solutions, inc.
 1501 River Road, Ste 125
 Schiller Park, IL 60176
 p: 847.671.7452
 f: 847.671.4200
 www.rgla.com

REVISIONS	DATE
ISSUE FOR CLIENT AND LANDLORD	10/27/2017
ISSUE FOR PERMIT	11/17/2017
ISSUE FOR BID - REV 1	11/27/2017

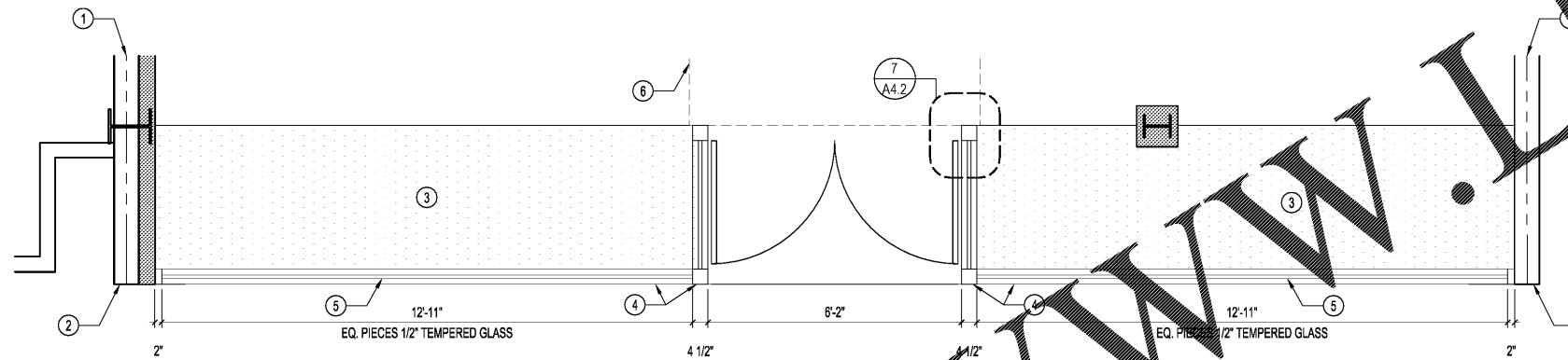
3 STOREFRONT REFLECTED CEILING PLAN

SCALE
1/2"=1'-0"

PLAN KEY NOTES

- TENANT'S LEASE LINE
- EXISTING MALL NEUTRAL PIER
- RAISED PLATFORM AT 10" AFF. FINISH M-1
- ALUMINUM GLAZING FRAMING. ARCADIA 450+ OR APPROVED EQUAL - COLOR : ANODIZED DARK BRONZE
- STOREFRONT GLAZING: 1/2" TEMPERED GLASS WITH 1/8" MAX. GAP BETWEEN PANELS
- IN-FLOOR EAS SYSTEM
- NEW NEUTRAL PIER PROVIDED BY MALL

robert g. lyon + associates, inc.
 Retail Architecture
 5100 North Broadway
 Schiller Park, IL 60176
 p: 847.671.7452
 f: 847.671.4200
 www.rgla.com



2 STOREFRONT FLOOR PLAN

SCALE
1/2"=1'-0"

ELEVATION KEY NOTES

- TENANT'S LEASE LINE
- EXISTING MALL NEUTRAL PIER
- FULL HEIGHT TEMPERED GLAZING ENTRY DOORS. SEE DOOR AND HARDWARE SCHEDULE FOR SPECIFICATIONS.
- ALUMINUM GLAZING FRAMING. ARCADIA 450+ OR APPROVED EQUAL - COLOR : ANODIZED DARK BRONZE, BY G.C.
- 1/2" THICK TEMPERED GLAZING WITH 1/8" MAX. BUTT JOINT AT MULTIPLE GLAZING PANELS
- CONTINUOUS 18G.A. BRAKE METAL BASE AND FASCIA. FINISH M-1
- 3/4" REVEAL CHANNEL WITH DARK BRONZE FINISH AT STOREFRONT PERIMETER BY G.C. TYPICAL AT NEUTRAL PIERS AND MALL BULKHEAD WHERE TENANT'S STOREFRONT FINISH MEET MALL FINISH. NO VISIBLE FASTENERS. USE SINGLE FULL LENGTH CHANNEL AT SIDES OF STOREFRONT.
- INTERNALLY ILLUMINATED SIGNAGE ON A SEPARATE PERMIT. PROVIDED AND INSTALLED BY OWNER'S VENDOR. SEE SIGN SHOP DRAWINGS FOR ADDITIONAL INFORMATION
- C.R. LAURENCE MFCW11 GLASS CLIP TO MATCH M-1 TYPICAL OF 12
- BACK-PAINTED GLASS TO MATCH FRAMING, VERIFY WITH TNF PM.
- NEW NEUTRAL PIER PROVIDED BY MALL

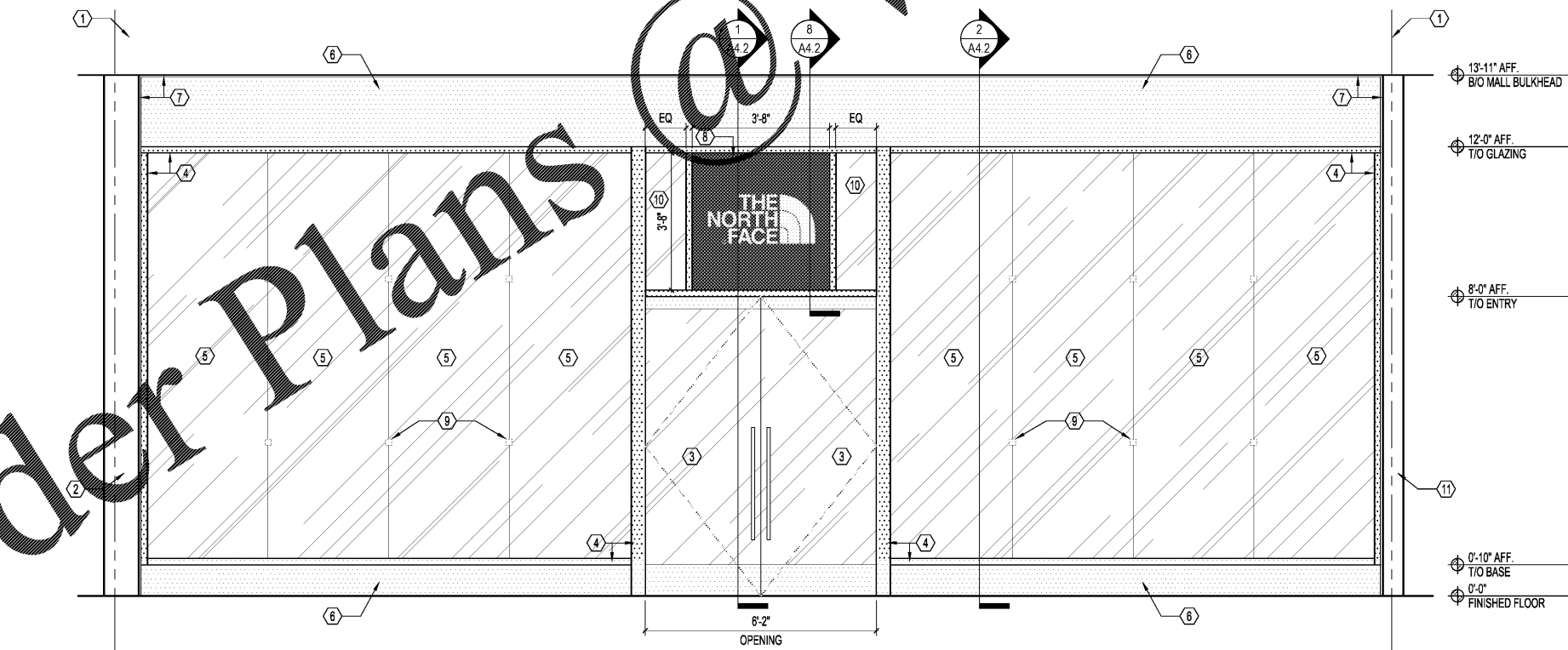
THE ABOVE DRAWINGS AND SPECIFICATIONS AND IDEAS, DESIGN AND ARRANGEMENTS REPRESENTED THEREIN ARE AND SHALL REMAIN THE PROPERTY OF THIS OFFICE AND NO PART THEREOF SHALL BE COPIED, DISCLOSED TO OTHERS OR USED IN THE CONNECTION WITH ANY WORK OR PROJECT OTHER THAN THE SPECIFIC PROJECT FOR WHICH THEY HAVE BEEN PREPARED AND DEVELOPED WITHOUT THE WRITTEN CONSENT OF THIS OFFICE. VISUAL CONTACT WITH THESE DRAWINGS OR SPECIFICATIONS SHALL CONSTITUTE CONCLUSIVE EVIDENCE OF ACCEPTANCE OF THESE RESTRICTIONS.

WRITTEN DIMENSIONS ON THESE DRAWINGS SHALL HAVE PRECEDENCE OVER SCALED DIMENSIONS. CONTRACTORS SHALL VERIFY AND BE RESPONSIBLE FOR ALL DIMENSIONS AND CONDITIONS ON THE JOB AND THIS OFFICE MUST BE NOTIFIED OF ANY VARIATIONS FROM THE DRAWINGS AND CONDITIONS SHOWN BY THESE DRAWINGS 30-DAY IN WRITING. DETAILS MUST BE SUBMITTED TO THIS OFFICE FOR APPROVAL BEFORE PROCEEDING WITH FABRICATION.

©2017 RGLA SOLUTIONS, INC.
 ©2017 ROBERT G. LYON + ASSOCIATES, INC.

THE NORTH FACE
 AVENTURA MALL
 19501 BISCAYNE BLVD
 SPACE #327
 AVENTURA, FL 33180

STOREFRONT ENLARGED PLANS AND ELEVATIONS



1 STOREFRONT ELEVATION

SCALE
1/2"=1'-0"

DRAWN BY	AC
CHECKED BY	KK
JOB NUMBER	17183
SHEET NAME	A-4.1