

REVISIONS	DATE
ISSUE FOR CLIENT AND LANDLORD	11/1/2017
ISSUE FOR PERMIT	11/17/2017
ISSUE FOR BID - REV 1	11/27/2017

robert g. lyon + associates, inc.
 retail architecture
 5100 S. Halsted Street
 Schiller Park, IL 60176
 p: 847.671.7452
 f: 847.671.4200
 www.rgla.com

THE ABOVE DRAWINGS AND SPECIFICATIONS AND CEAN, DESIGN AND ARRANGEMENTS REPRESENTED THEREIN ARE AND SHALL REMAIN THE PROPERTY OF THIS OFFICE AND NO PART THEREOF SHALL BE COPIED, DISCLOSED TO OTHERS OR USED IN THE CONNECTION WITH ANY WORK OR PROJECT OTHER THAN THAT SPECIFICALLY PROVIDED FOR WHICH THEY HAVE BEEN PREPARED AND DEVELOPED WITHOUT THE WRITTEN CONSENT OF THIS OFFICE. VERBAL CONTACT WITH THESE DRAWINGS OR SPECIFICATIONS SHALL CONSTITUTE A CONCLUSIVE ACKNOWLEDGEMENT OF THESE RESTRICTIONS.

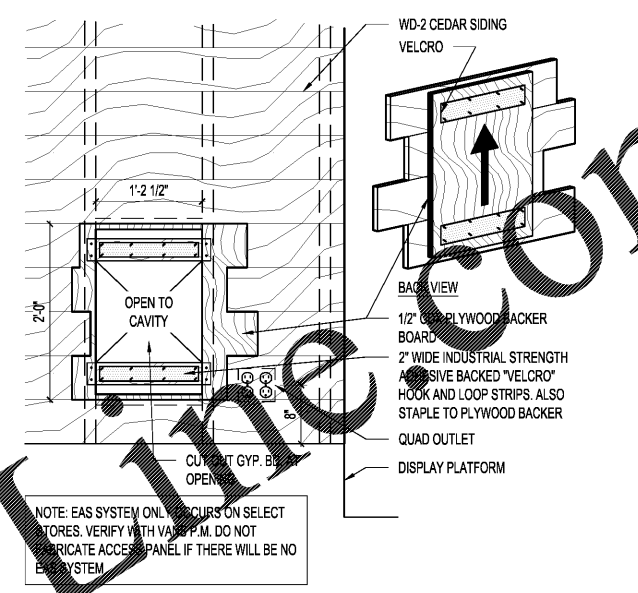
WRITTEN DIMENSIONS ON THESE DRAWINGS SHALL HAVE PRECEDENCE OVER SCALED DIMENSIONS. CONTRACTORS SHALL VERIFY AND BE RESPONSIBLE FOR ALL DIMENSIONS AND CONDITIONS ON THE JOB AND THIS OFFICE MUST BE NOTIFIED OF ANY VARIATIONS FROM THE DIMENSIONS AND CONDITIONS SHOWN BY THESE DRAWINGS 30 DAYS BEFORE SUBMITTING TO THIS OFFICE FOR APPROVAL BEFORE PROCEEDING WITH FABRICATION.

©2017 RGLA SOLUTIONS, INC.
 ©2017 ROBERT G. LYON + ASSOCIATES, INC.

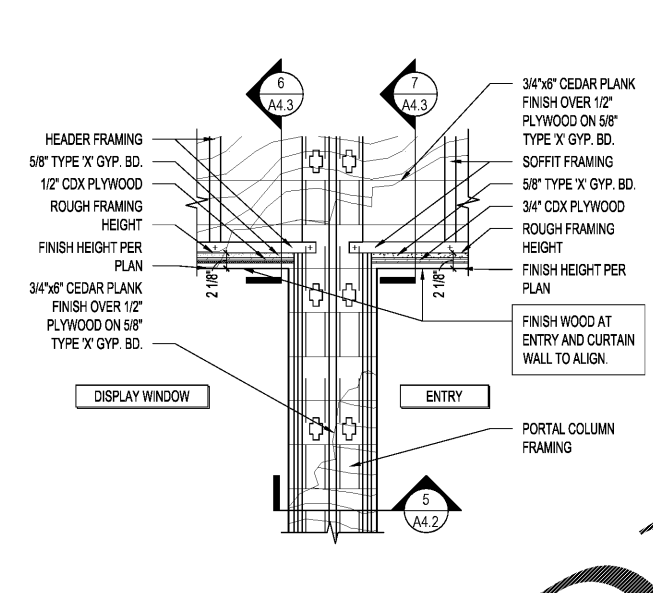
VANS
 "OFF THE WALL" SINCE 1966
 VANS #522
 AVENTURA MALL
 19501 BISCAYNE BLVD
 SPACE #331
 AVENTURA, FL 33180

STOREFRONT DETAILS

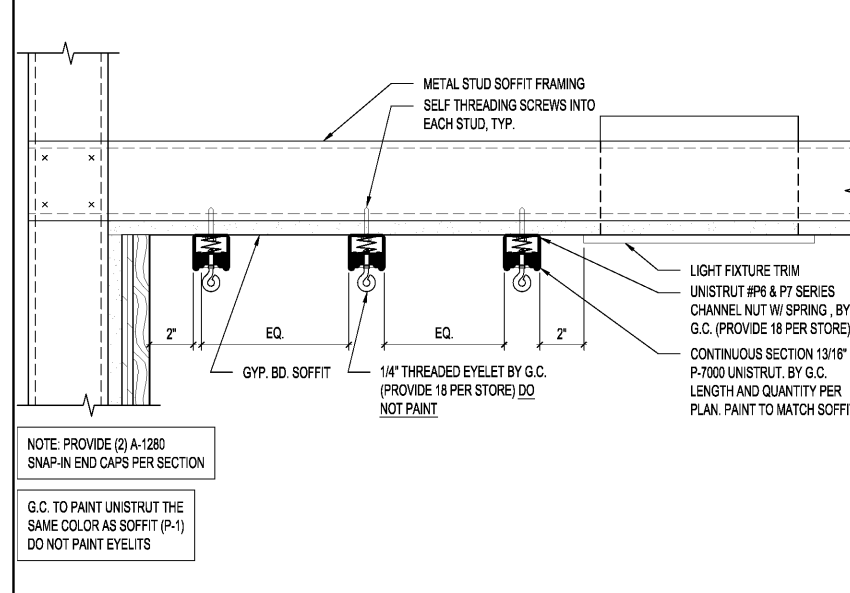
DRAWN BY	AC
CHECKED BY	KK
JOB NUMBER	17182-522
SHEET NAME	A-4.3



9 EAS SYSTEM ACCESS SCALE 1"=1'-0"



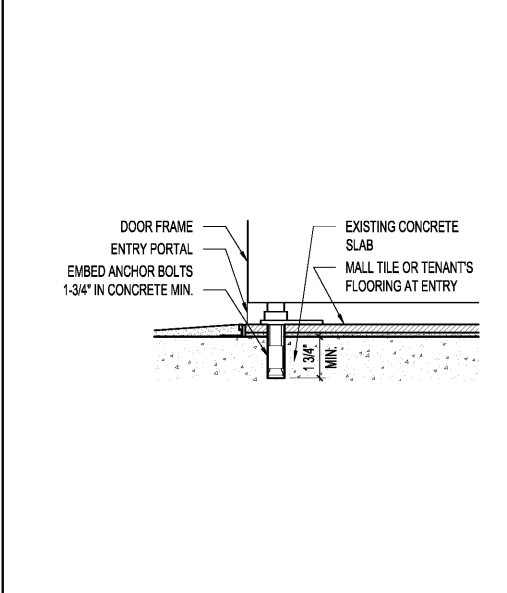
10 HEADER / SOFFIT FRAMING DETAIL SCALE 1"=1'-0"



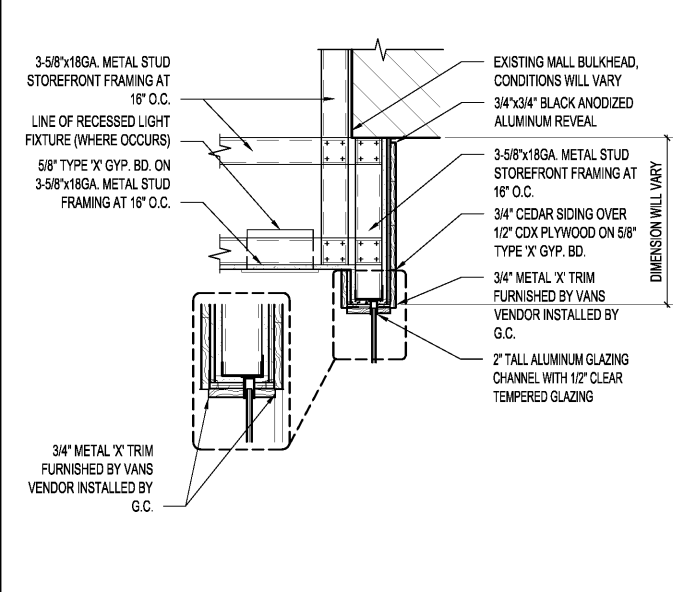
NOTE: PROVIDE (2) A-1280 SNAP-IN END CAPS PER SECTION

G.C. TO PAINT UNISTRUT THE SAME COLOR AS SOFFIT (P-1) DO NOT PAINT EYELITS

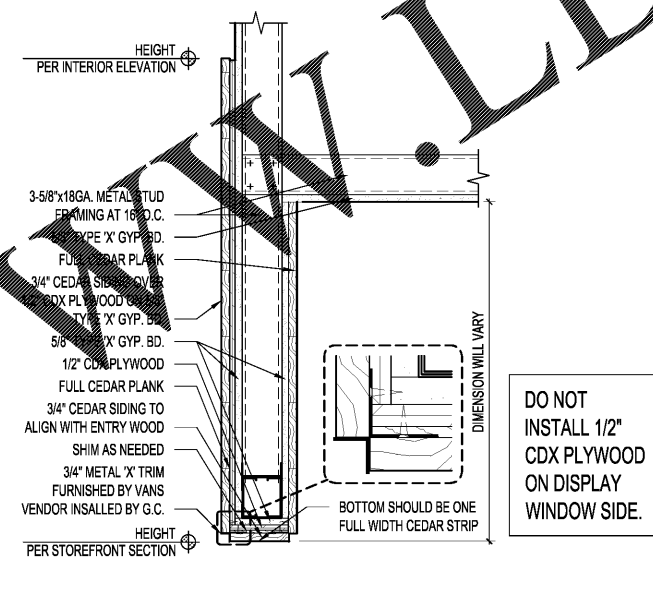
11 STOREFRONT GRAPHIC HANGER SYSTEM SCALE 3"=1'-0"



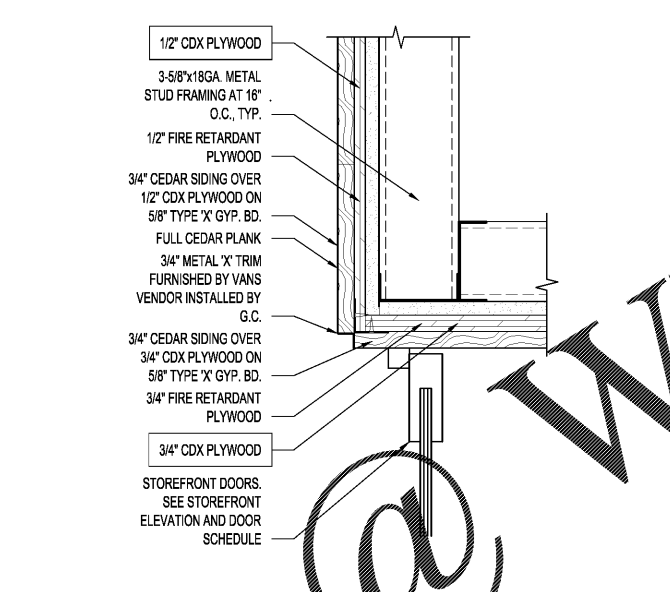
12 ENTRY ANCHORING DETAIL SCALE 3"=1'-0"



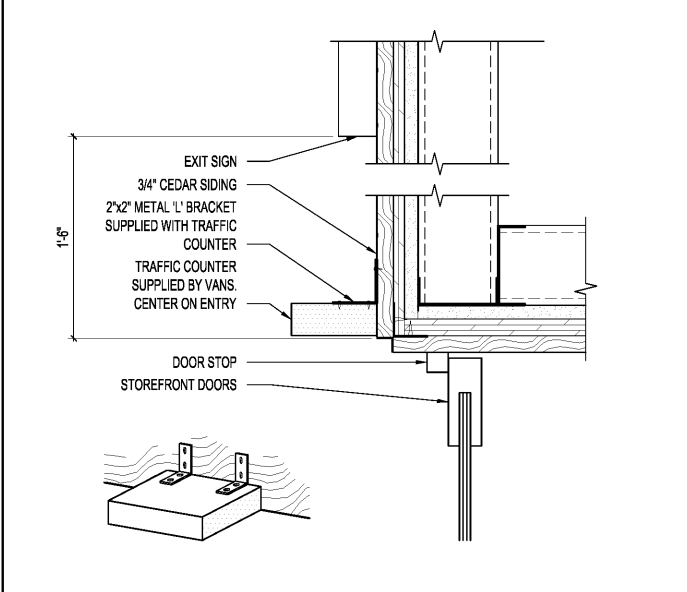
5 STOREFRONT HEADER AT GLAZING SCALE 1"=1'-0"



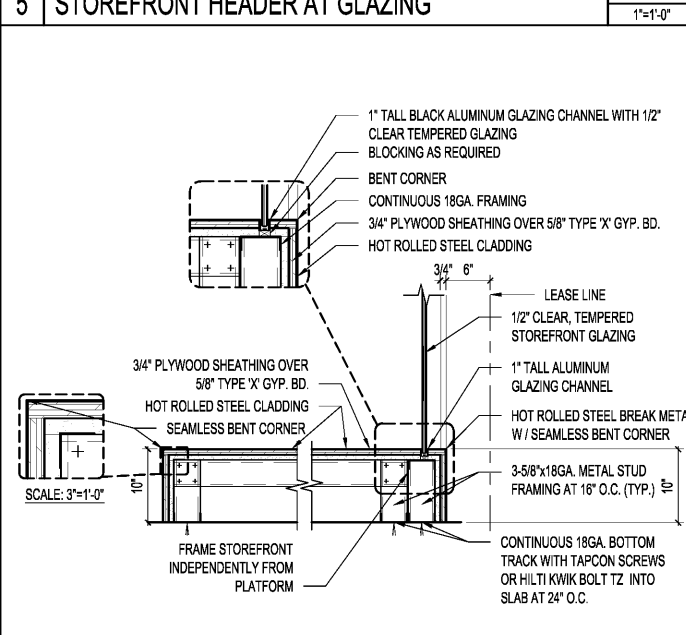
6 STOREFRONT HEADER DETAIL SCALE 1-1/2"=1'-0"



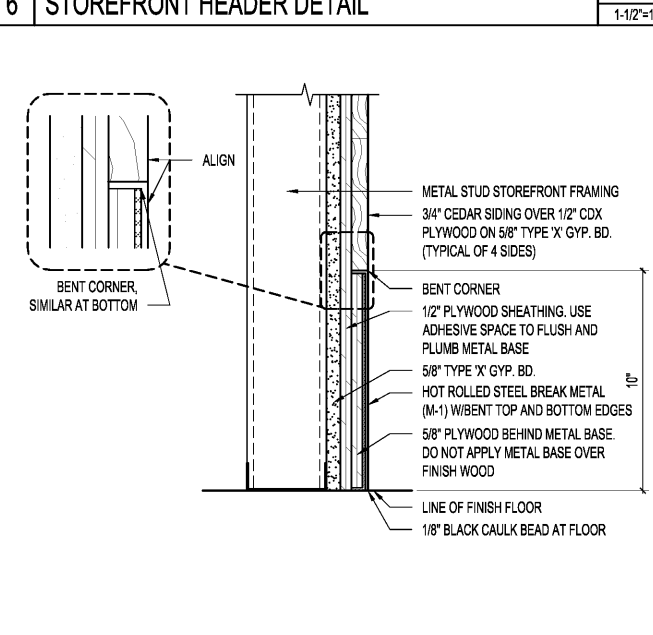
7 DETAIL AT ENTRY DOOR SCALE 3"=1'-0"



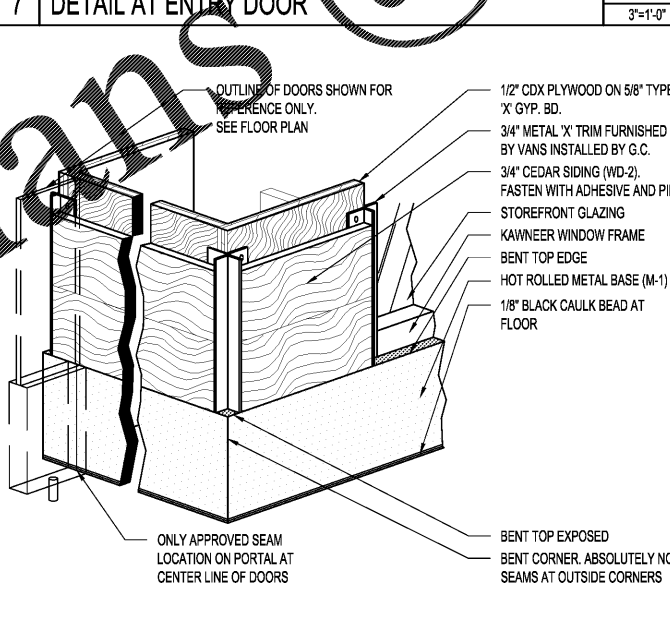
8 TRAFFIC COUNTER & EXIT SIGNAGE DETAIL SCALE 3"=1'-0"



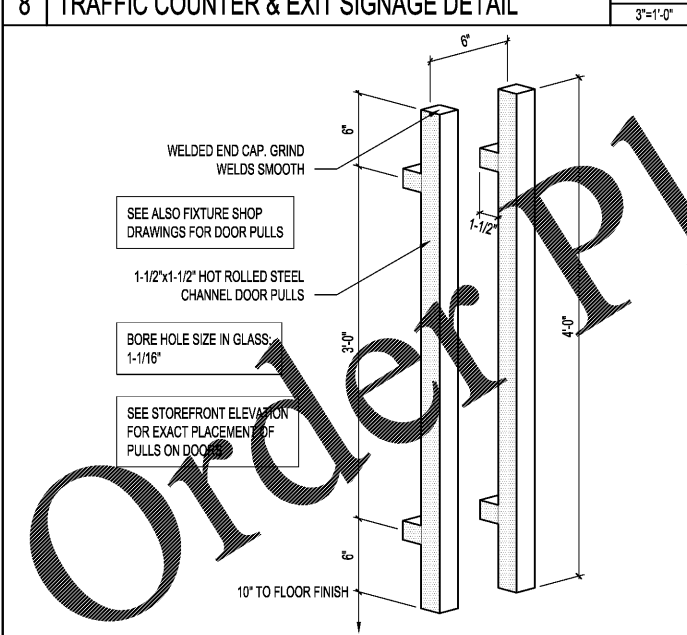
1 STOREFRONT BASE AT GLASS SCALE 1"=1'-0"



2 STOREFRONT BASE DETAIL SCALE 3"=1'-0"



3 STOREFRONT CORNER ISOMETRIC SCALE N.T.S.



4 ENTRY DOOR PULL DETAIL SCALE N.T.S.

Order Plans

OUTLINE OF DOORS SHOWN FOR REFERENCE ONLY. SEE FLOOR PLAN

ONLY APPROVED SEAM LOCATION ON PORTAL AT CENTER LINE OF DOORS

BENT TOP EXPOSED BENT CORNER, ABSOLUTELY NO SEAMS AT OUTSIDE CORNERS

DO NOT INSTALL 1/2" CDX PLYWOOD ON DISPLAY WINDOW SIDE.

BOTTOM SHOULD BE ONE FULL WIDTH CEDAR STRIP

3-5/8" x 18GA. METAL STUD STOREFRONT FRAMING AT 16" O.C.

EXISTING MALL BULKHEAD, CONDITIONS WILL VARY

3/4" x 3/4" BLACK ANODIZED ALUMINUM REVEAL

3-5/8" x 18GA. METAL STUD STOREFRONT FRAMING AT 16" O.C.

3/4" CEDAR SIDING OVER 1/2" CDX PLYWOOD ON 5/8" TYPE 'X' GYP. BD.

3/4" METAL 'X' TRIM FURNISHED BY VANS VENDOR INSTALLED BY G.C.

2" TALL ALUMINUM GLAZING CHANNEL WITH 1/2" CLEAR TEMPERED GLAZING

3-5/8" x 18GA. METAL STUD FRAMING AT 16" O.C.

5/8" TYPE 'X' GYP. BD.

1/2" CDX PLYWOOD

3/4" CEDAR SIDING TO ALIGN WITH ENTRY WOOD SHIM AS NEEDED

3/4" METAL 'X' TRIM FURNISHED BY VANS VENDOR INSTALLED BY G.C.

1/2" CDX PLYWOOD

3-5/8" x 18GA. METAL STUD FRAMING AT 16" O.C., TYP.

1/2" FIRE RETARDANT PLYWOOD

3/4" CEDAR SIDING OVER 1/2" CDX PLYWOOD ON 5/8" TYPE 'X' GYP. BD.

FULL CEDAR PLANK

3/4" METAL 'X' TRIM FURNISHED BY VANS VENDOR INSTALLED BY G.C.

3/4" CEDAR SIDING OVER 3/4" CDX PLYWOOD ON 5/8" TYPE 'X' GYP. BD.

3/4" FIRE RETARDANT PLYWOOD

3/4" CDX PLYWOOD

STOREFRONT DOORS. SEE STOREFRONT ELEVATION AND DOOR SCHEDULE

SEE ALSO FIXTURE SHOP DRAWINGS FOR DOOR PULLS

1-1/2" x 1-1/2" HOT ROLLED STEEL CHANNEL DOOR PULLS

BORE HOLE SIZE IN GLASS: 1-1/16"

SEE STOREFRONT ELEVATION FOR EXACT PLACEMENT OF PULLS ON DOOR