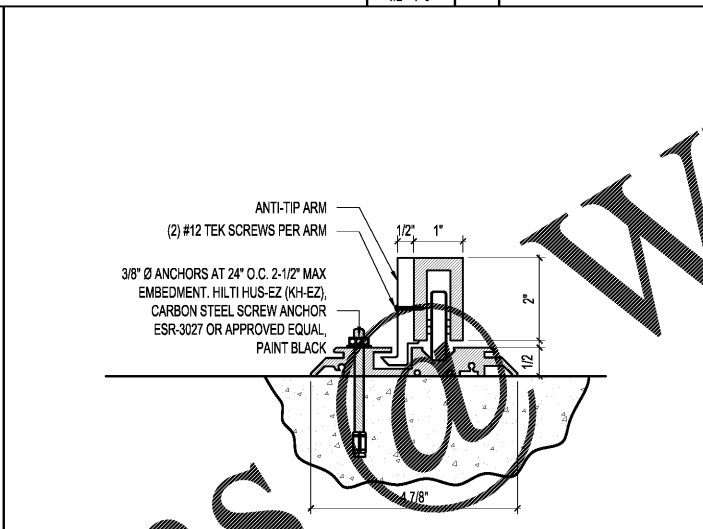


10 TYP. ELEV. OF TELEPHONE BOARD SCALE 1/2"=1'-0"

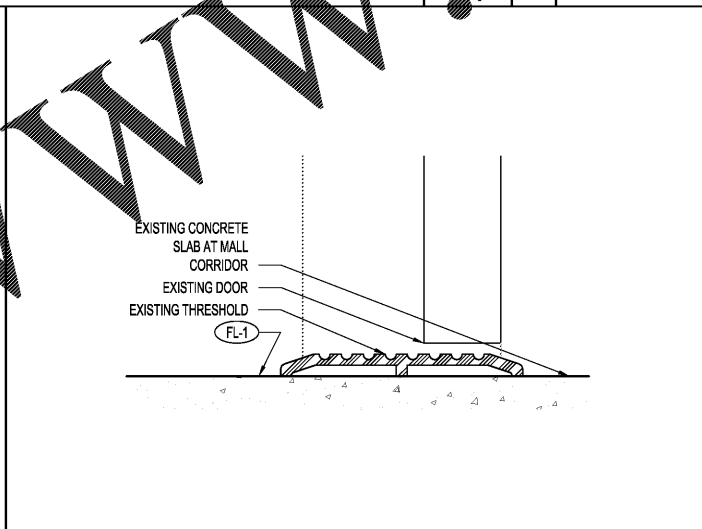
9 TYP. ELEV. OF MANAGER'S DESK SCALE 1/2"=1'-0"

8 FITTING ROOM WALL MIRROR SCALE 1/2"=1'-0"

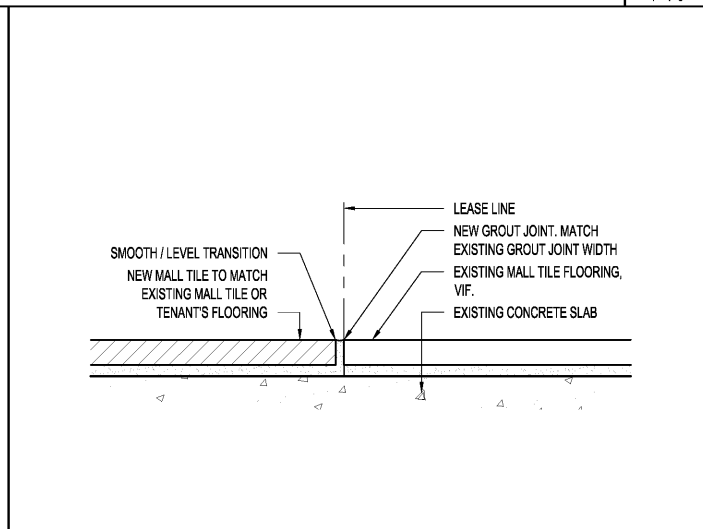
7 FITTING ROOM BENCH SCALE 1"=1'-0"



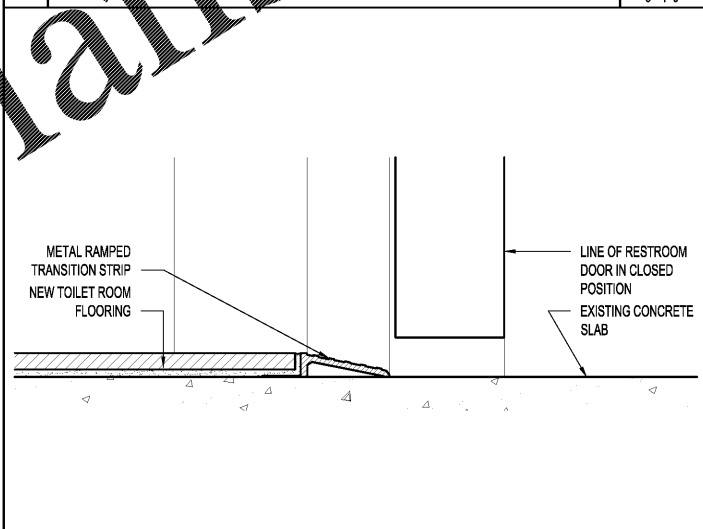
6 TRACK DETAIL SCALE 6"=1'-0"



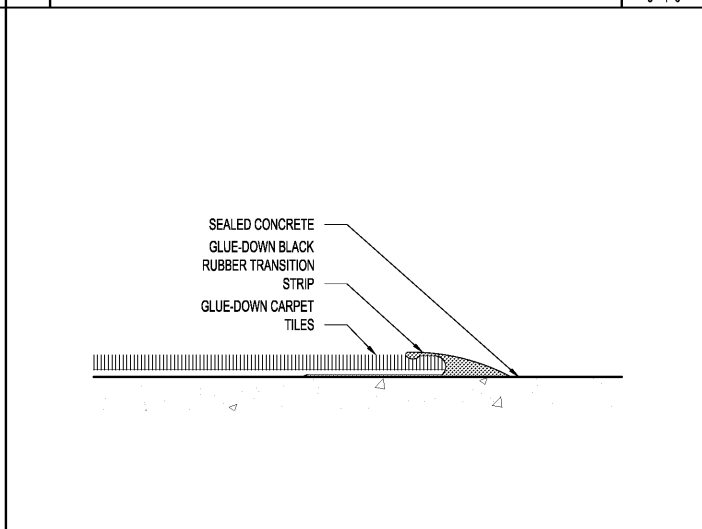
5 MALL CORRIDOR TRANSITION SCALE 6"=1'-0"



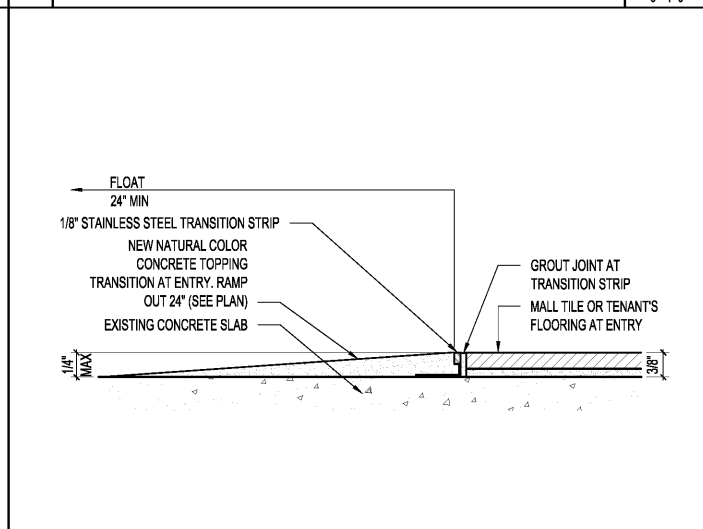
4 MALL TILE TRANSITION SCALE 6"=1'-0"



3 RESTROOM TILE TRANSITION SCALE 6"=1'-0"



2 CARPET TO CONCRETE TRANSITION SCALE 6"=1'-0"



1 ENTRY TRANSITION SCALE 6"=1'-0"

**RGLA**  
r gla solutions, inc.  
1501 River Road, Ste 125  
Beverly Park, IL 60176  
p: 847.671.7452  
f: 847.671.4200  
www.rgla.com

REVISIONS	DATE
ISSUE FOR CLIENT AND LANDLORD	11/1/2017
ISSUE FOR PERMIT	11/17/2017
ISSUE FOR BID - REV 1	11/27/2017

**robert g. lyon + associates, inc.**  
retail architecture  
5100 Schiller Park, IL 60176  
p: 847.671.7452  
f: 847.671.4200  
www.rgla.com

THE ABOVE DRAWINGS AND SPECIFICATIONS AND DEAS, DESIGNS AND ARRANGEMENTS REPRESENTED THEREIN ARE AND SHALL REMAIN THE PROPERTY OF THIS OFFICE. NO PART THEREOF SHALL BE COPIED, DISCLOSED TO OTHERS OR USED IN THE CONNECTION WITH ANY WORK OR PROJECT OTHER THAN THE SPECIFIC PROJECT FOR WHICH THEY HAVE BEEN PREPARED AND DEVELOPED WITHOUT THE WRITTEN CONSENT OF THIS OFFICE. VERBAL CONTACT WITH THESE DRAWINGS OR SPECIFICATIONS SHALL CONSTITUTE CONCLUSIVE EVIDENCE OF ACCEPTANCE OF THESE RESTRICTIONS. WRITTEN DIMENSIONS ON THESE DRAWINGS SHALL HAVE PRECEDENCE OVER SCALED DIMENSIONS. CONTRACTORS SHALL VERIFY AND BE RESPONSIBLE FOR ALL DIMENSIONS AND CONDITIONS ON THE JOB AND THIS OFFICE MUST BE NOTIFIED OF ANY VARIATIONS FROM THE DIMENSIONS AND CONDITIONS SHOWN BY THESE DRAWINGS 30-DAY DETAILS MUST BE SUBMITTED TO THIS OFFICE FOR APPROVAL BEFORE PROCEEDING WITH FABRICATION.

©2017 RGLA SOLUTIONS, INC.  
©2017 ROBERT G. LYON + ASSOCIATES, INC.

**VANS**  
"OFF THE WALL" SINCE 1966  
VANS #522  
AVENTURA MALL  
19501 BISCAYNE BLVD  
SPACE #331  
AVENTURA, FL 33180

FLOOR AND FIXTURE DETAILS

DRAWN BY	AC
CHECKED BY	KK
JOB NUMBER	17182-522
SHEET NAME	A-3.4

Order Plans