

REVISIONS	DATE
ISSUE FOR CLIENT AND LANDLORD	11/1/2017
ISSUE FOR PERMIT	11/17/2017
ISSUE FOR BID - REV 1	11/27/2017

robert g. lyon + associates, inc.
 retail architecture
 5100 S. Schiller Park, IL 60176
 Schiller Park, IL 60176
 p: 847.671.7452
 f: 847.671.4200
 www.rgla.com

THE ABOVE DRAWINGS AND SPECIFICATIONS AND IDEAS, DESIGN AND ARRANGEMENTS REPRESENTED THEREIN ARE AND SHALL REMAIN THE PROPERTY OF THIS OFFICE AND NO PART THEREOF SHALL BE COPIED, DISCLOSED TO OTHERS OR USED IN THE CONNECTION WITH ANY WORK OR PROJECT OTHER THAN THE SPECIFIC PROJECT FOR WHICH THEY HAVE BEEN PREPARED AND DEVELOPED WITHOUT THE WRITTEN CONSENT OF THIS OFFICE. VERBAL CONTACT WITH THESE DRAWINGS OR SPECIFICATIONS SHALL CONSTITUTE CONCLUSIVE EVIDENCE OF ACCEPTANCE OF THESE RESTRICTIONS.

WRITTEN DIMENSIONS ON THESE DRAWINGS SHALL HAVE PRECEDENCE OVER SCALED DIMENSIONS. CONTRACTORS SHALL VERIFY AND BE RESPONSIBLE FOR ALL DIMENSIONS AND CONDITIONS ON THE JOB AND THIS OFFICE MUST BE NOTIFIED OF ANY VARIATIONS FROM THE DIMENSIONS AND CONDITIONS SHOWN BY THESE DRAWINGS 30 DAYS BEFORE SUBMITTAL TO THIS OFFICE FOR APPROVAL BEFORE PROCEEDING WITH FABRICATION.

©2017 RGLA SOLUTIONS, INC.
 ©2017 ROBERT G. LYON + ASSOCIATES, INC.

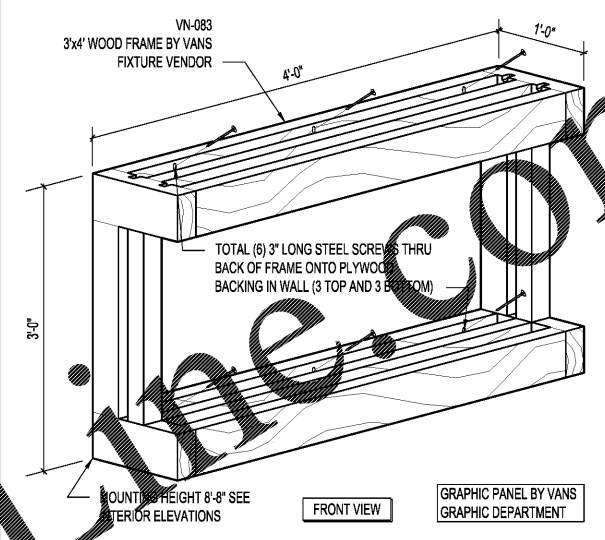
VANS
 "OFF THE WALL" SINCE 1966
 VANS #522
 AVENTURA MALL
 19501 BISCAYNE BLVD
 SPACE #331
 AVENTURA, FL 33180

FIXTURE DETAILS

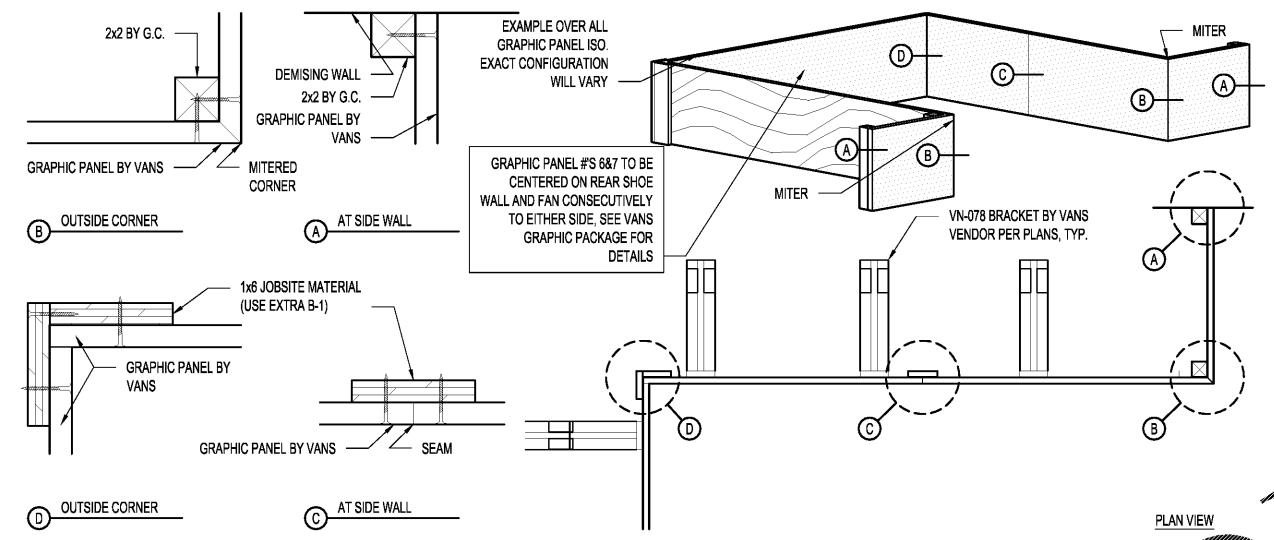
DRAWN BY
 AC
 CHECKED BY
 KK
 JOB NUMBER

17182-522

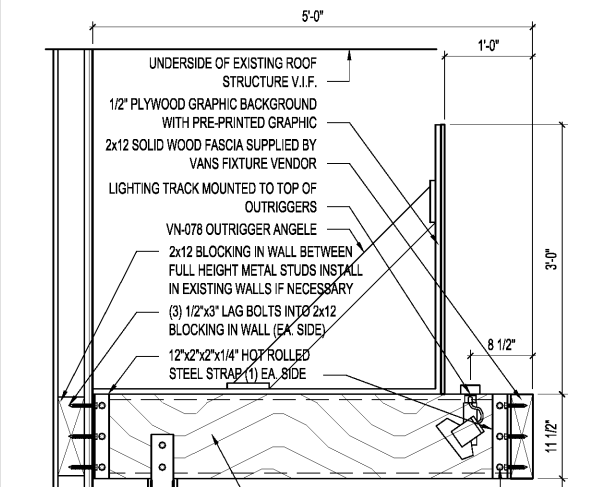
SHEET NAME
 A-3.2



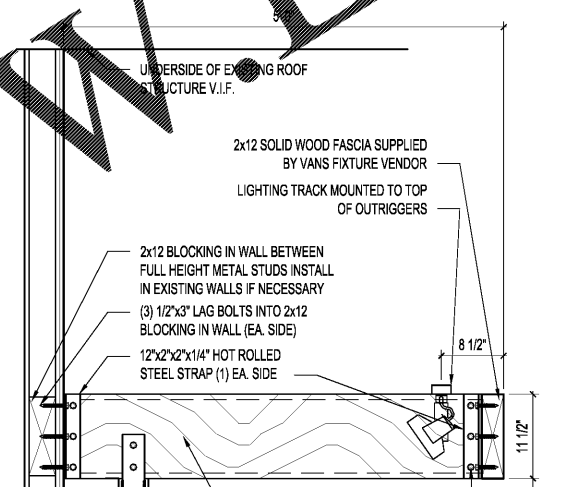
7 GRAPHIC SECTION OVER STANDARDS SCALE N.T.S.



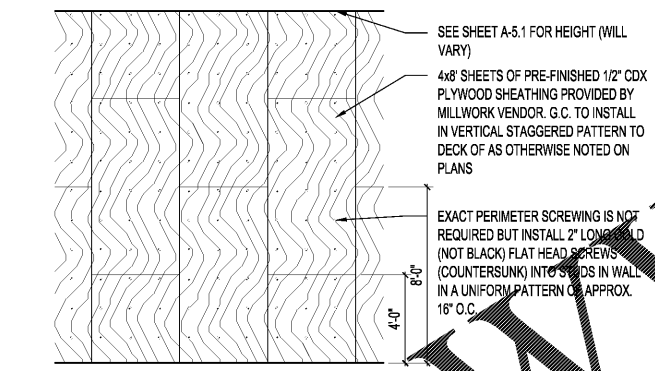
8 UPPER GRAPHIC PANEL JOINT AND CORNER SCALE N.T.S.



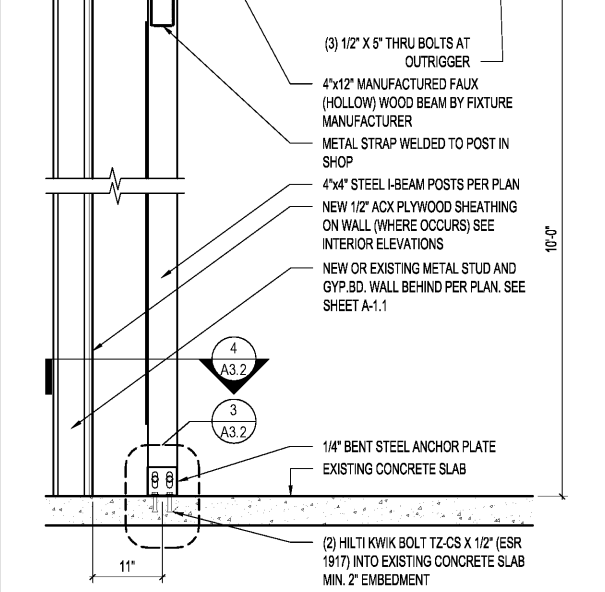
1 OUTRIGGER DETAIL AT SHOE WALL SCALE 1\"/>



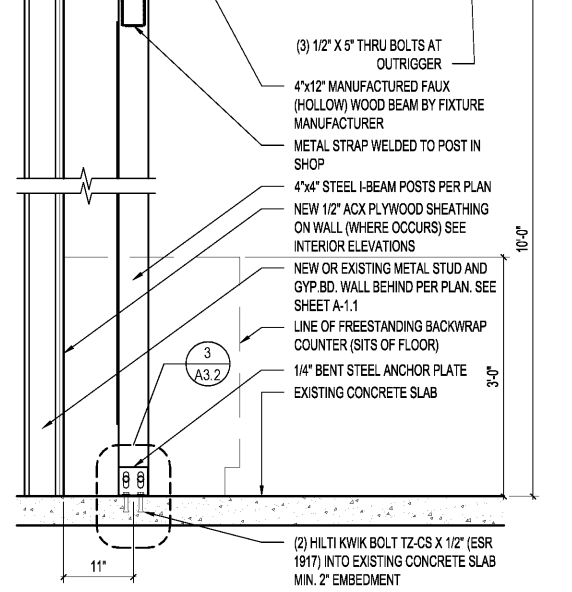
2 OUTRIGGER DETAIL AT CASHWRAP SCALE 1\"/>



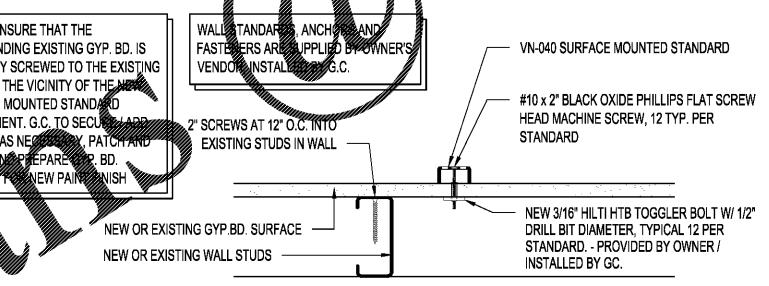
6 PLYWOOD SHEATHING INSTALL SCALE N.T.S.



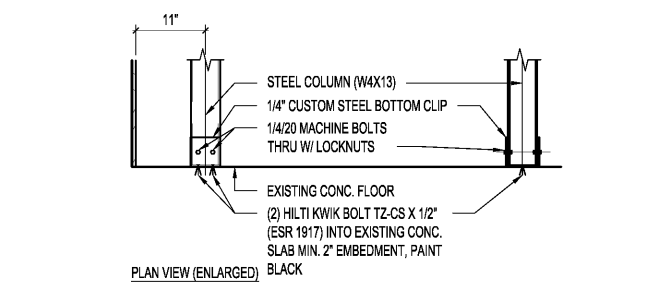
4 ENLARGED OUTRIGGER POST DETAIL SCALE 3\"/>



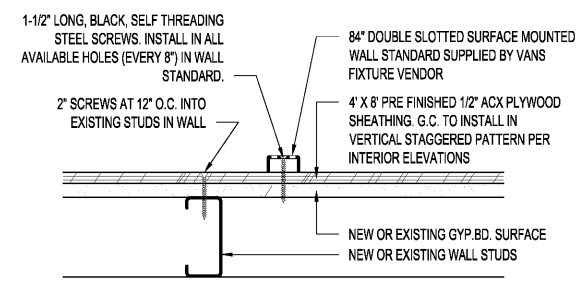
3 OUTRIGGER POST DETAIL SCALE 1\"/>



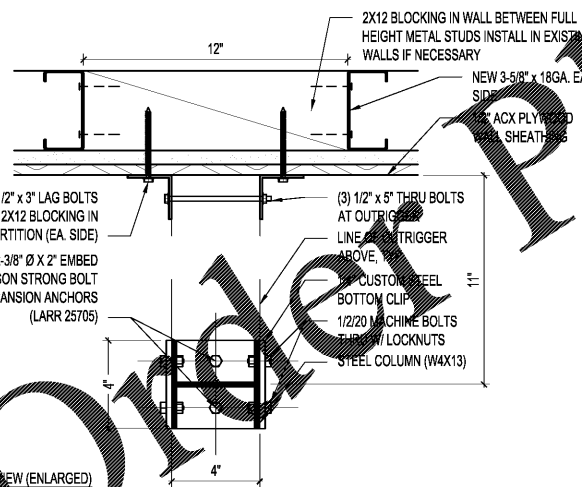
5 SURFACE MOUNTED WALL STANDARD - GYP. BD. SCALE 3\"/>



3 OUTRIGGER POST DETAIL SCALE 1\"/>



9 SURFACE MTD. WALL STANDARD - ACX SCALE 3\"/>



4 ENLARGED OUTRIGGER POST DETAIL SCALE 3\"/>

4 ENLARGED OUTRIGGER POST DETAIL SCALE 3\"/>