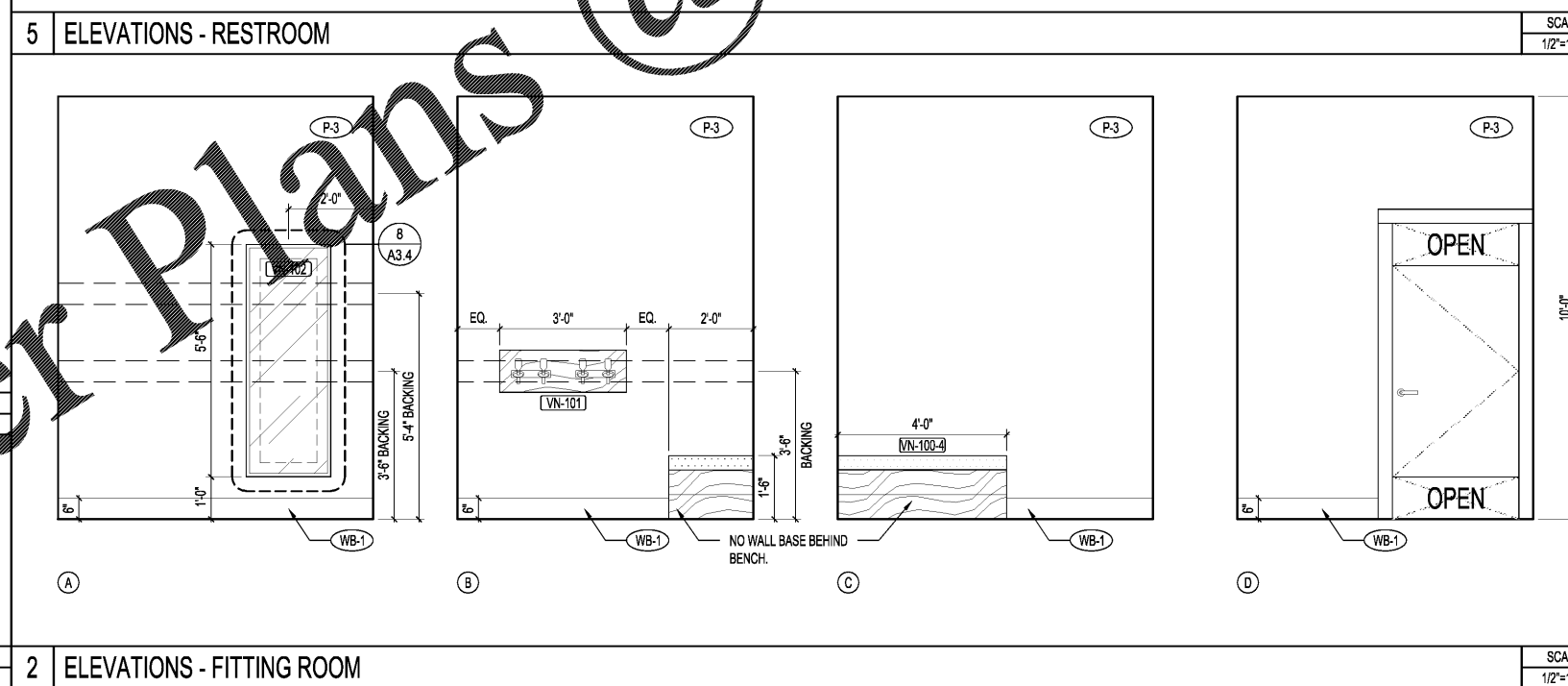
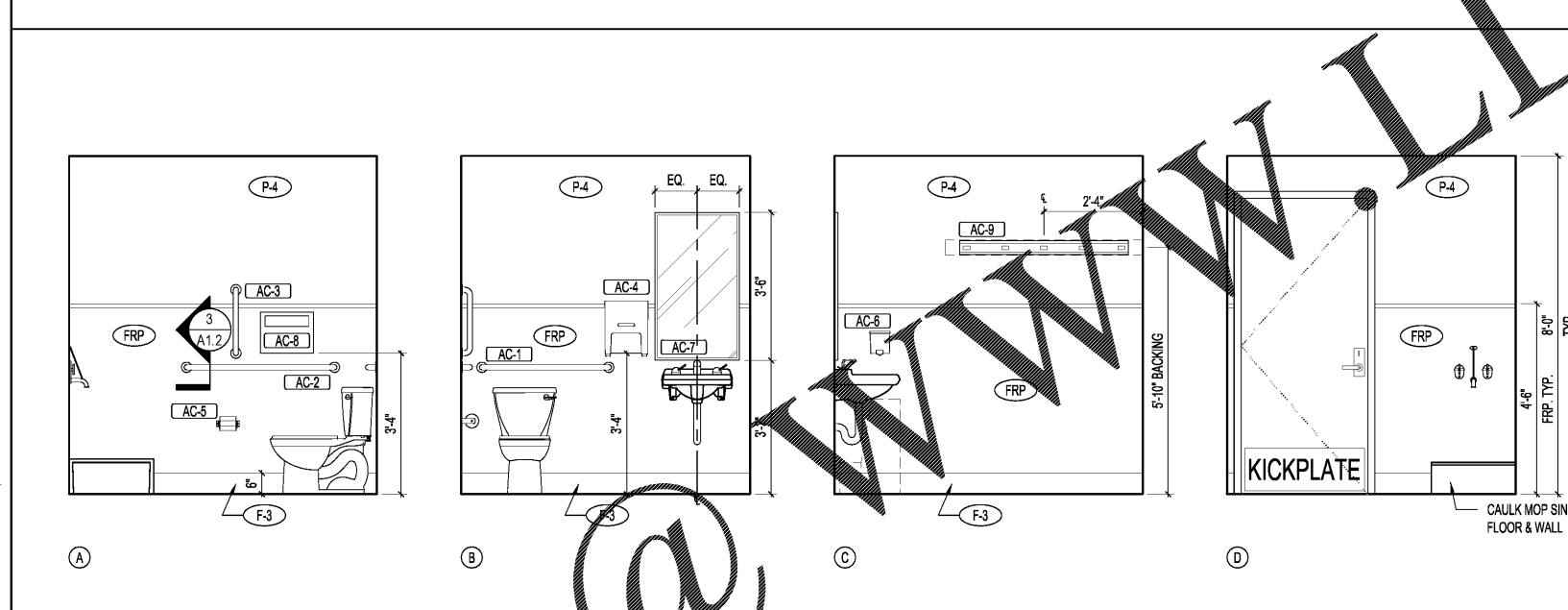
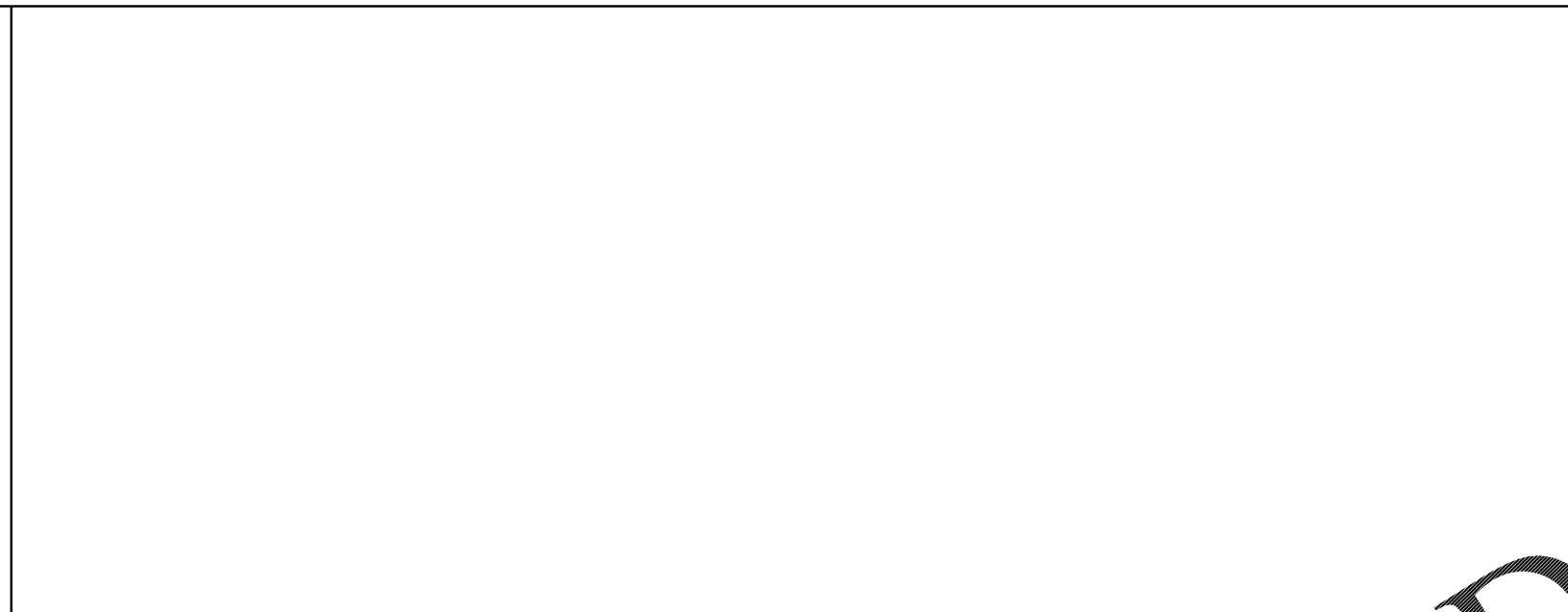


3 GRAB BAR SECTION SCALE 3"=1'-0"

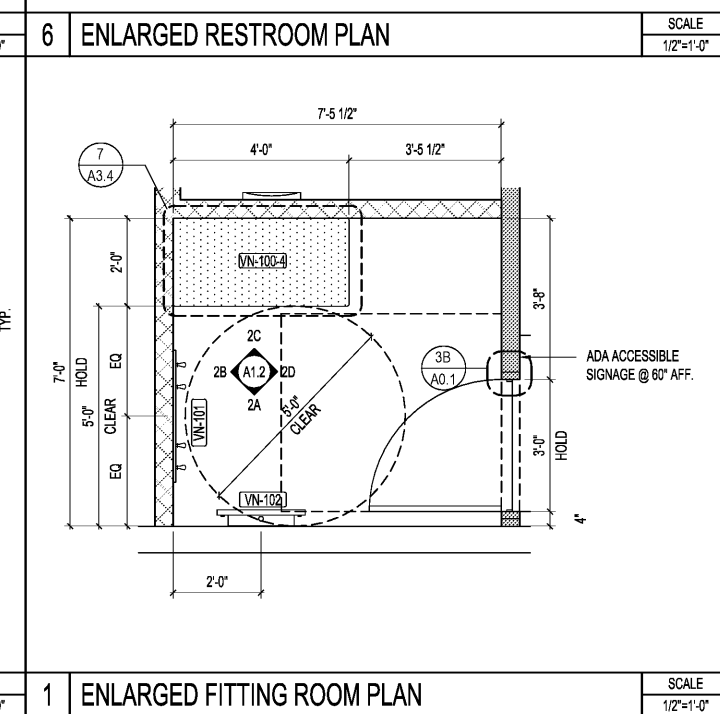
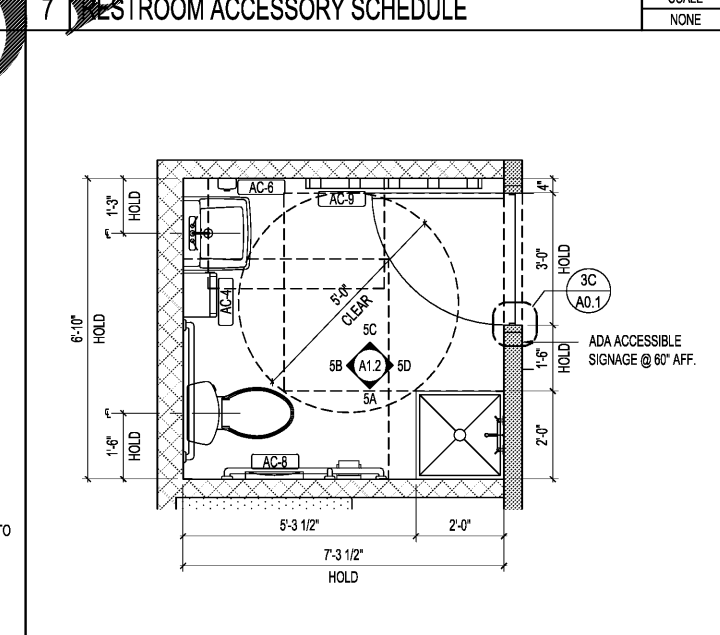


RESTROOM

TAG	MANUFACTURE NUMBER	DESCRIPTION
AC-1	BRADLEY BRAD-EX 001-36	SERIES 36" HEAVY DUTY STAINLESS STEEL HORIZONTAL GRAB BAR
AC-2	BRADLEY BRAD-EX 001-42	SERIES 42" HEAVY DUTY STAINLESS STEEL HORIZONTAL GRAB BAR
AC-3	BRADLEY BRAD-EX 001-18	SERIES 18" HEAVY DUTY STAINLESS STEEL VERTICAL GRAB BAR
AC-4	BRADLEY BRAD-EX MODEL 2497-P10-741	SURFACE MOUNTED WITH PUSH LEVER TOWEL DISPENSER WITH KEYLESS KNOB
AC-5	BRADLEY BRAD-EX MODEL 5106	SURFACE MOUNTED BRIGHT POLISH FINISH TOILET TISSUE DISPENSER
AC-6	BRADLEY BRAD-EX MODEL 6501	SURFACE MOUNTED 24 oz. SOAP DISPENSER
AC-7	BRADLEY BRAD-EX MODEL 781-2436	24"X36" WALL MIRROR W/ STAINLESS STEEL FRAME
AC-8	BRADLEY BRAD-EX MODEL 5831	SURFACE MOUNTED TOILET SEAT COVER DISPENSER
**AC-9	BRADLEY BRAD-EX MODEL 9955	SURFACE MOUNTED STAINLESS STEEL WITH RUBBER CAM HOLDERS - MOP AND BROOM HOLDER (5)

NOTES:
1. FIRM MOUNTING LOCATION WITH OWNERS PRIOR TO INSTALL.
2. ANY SUBSTITUTIONS MUST BE OWNERS ARCHITECT APPROVED. USE CONCEALED FASTENERS WHENEVER POSSIBLE. INSTALL PROPOSED MOUNTING DEVICES WITH FASTENERS FINISHED TO MATCH THE ACCESSORIES. THE TENANT G.C. SHALL PROVIDE BACKING IN WALL FOR SECURE ATTACHMENT OF ALL ITEMS AS REQUIRED.

7 RESTROOM ACCESSORY SCHEDULE SCALE NONE



RGLA
r gla solutions, inc.
River Road, Ste 125
Schiller Park, IL 60176
p: 847.671.7452
f: 847.671.4200
www.rgla.com

REVISIONS

ISSUE FOR CLIENT AND LANDLORD	DATE
ISSUE FOR PERMIT	11/17/2017
ISSUE FOR BID - REV 1	11/27/2017

robert g. lyon + associates, inc.
retail architecture
5100 Schiller Park, IL 60176
p: 847.671.7452
f: 847.671.4200
www.rgla.com

THE ABOVE DRAWINGS AND SPECIFICATIONS AND DEAN, DESIGN AND ARRANGEMENTS REPRESENTED THEREIN ARE AND SHALL REMAIN THE PROPERTY OF THIS OFFICE AND NO PART THEREOF SHALL BE COPIED, DISCLOSED TO OTHERS OR USED IN THE CONNECTION WITH ANY WORK OR PROJECT OTHER THAN THE SPECIFIC PROJECT FOR WHICH THEY HAVE BEEN PREPARED AND DEVELOPED WITHOUT THE WRITTEN CONSENT OF THIS OFFICE. VISUAL CONTACT WITH THESE DRAWINGS OR SPECIFICATIONS SHALL CONSTITUTE CONCLUSIVE EVIDENCE OF ACCEPTANCE OF THESE RESTRICTIONS.

WRITTEN DIMENSIONS ON THESE DRAWINGS SHALL HAVE PRECEDENCE OVER SCALED DIMENSIONS. CONTRACTORS SHALL VERIFY AND BE RESPONSIBLE FOR ALL DIMENSIONS AND CONDITIONS ON THE JOB AND THIS OFFICE MUST BE NOTIFIED OF ANY VARIATIONS FROM THE DIMENSIONS AND CONDITIONS SHOWN BY THESE DRAWINGS 30 DAYS BEFORE SUBMITTAL TO THIS OFFICE FOR APPROVAL BEFORE PROCEEDING WITH FABRICATION.

©2017 RGLA SOLUTIONS, INC.
©2017 ROBERT G. LYON + ASSOCIATES, INC.

VANS
"OFF THE WALL" SINCE 1966
VANS #522
AVENTURA MALL
19501 BISCAYNE BLVD
SPACE #331
AVENTURA, FL 33180

ENLARGED FITTING ROOMS, RESTROOM PLAN & ELEVATIONS

DRAWN BY AC
CHECKED BY KK
JOB NUMBER 17182-522
SHEET NAME A-1.2