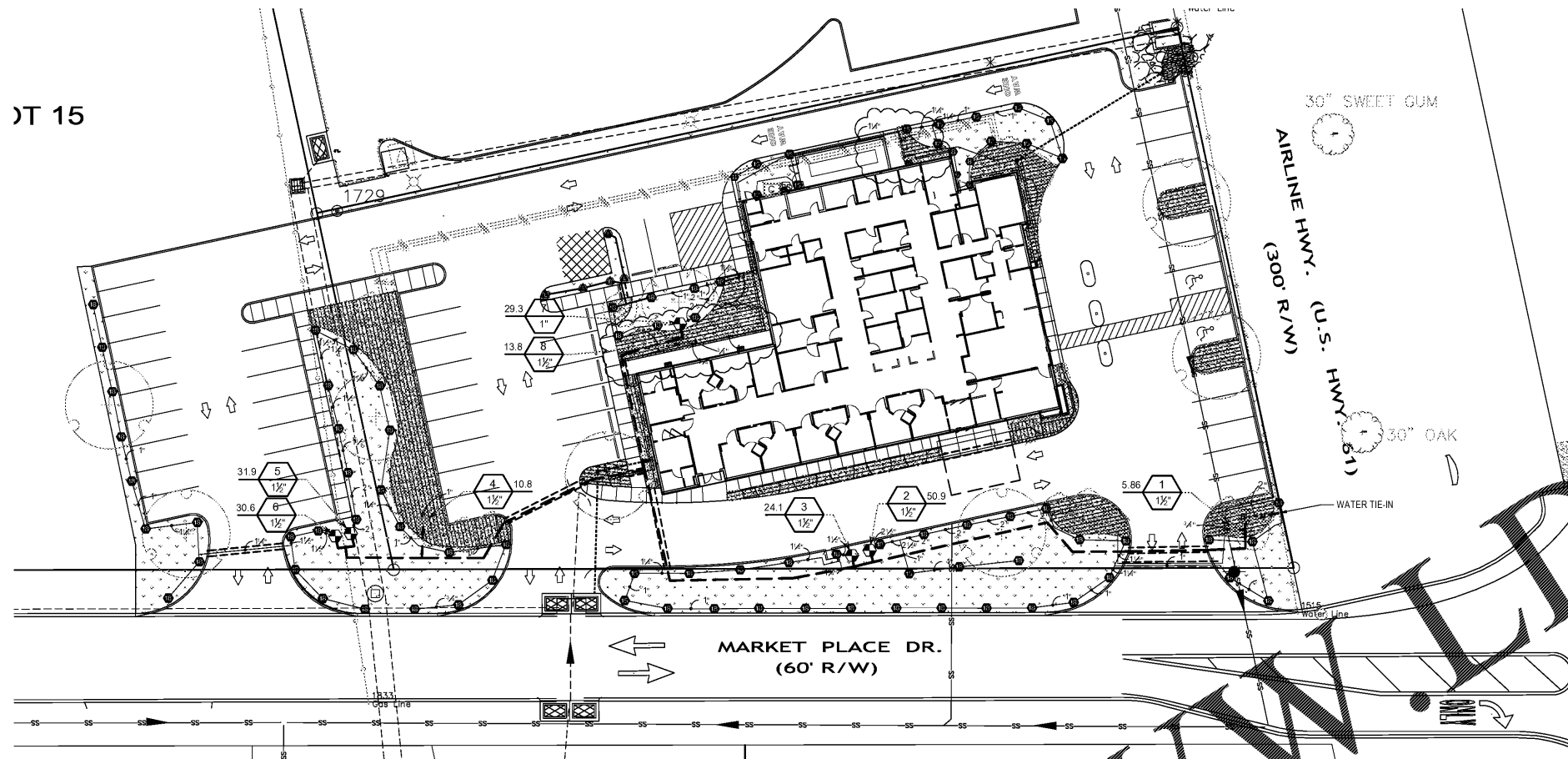
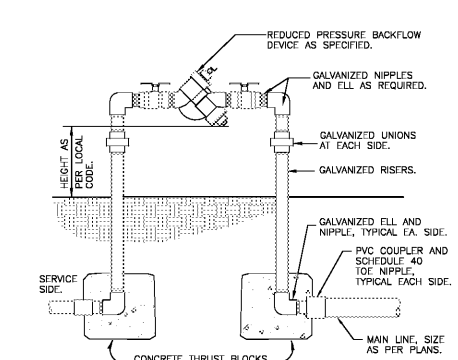
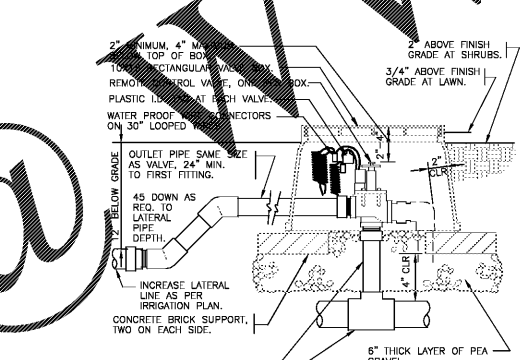
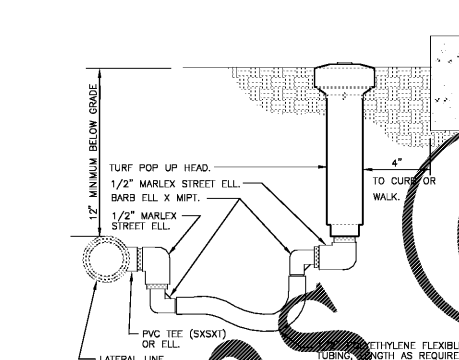
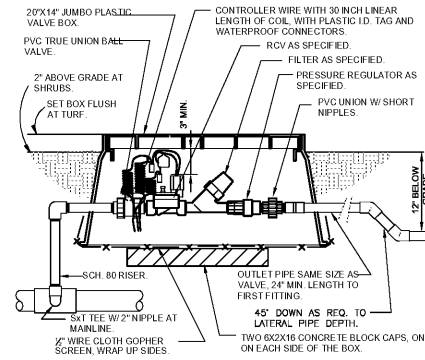


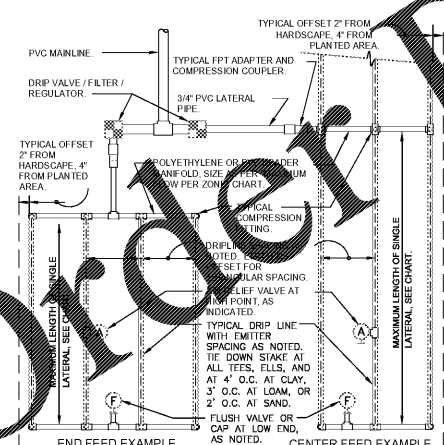
DT 15



**01 IRRIGATION PLAN**  
SCALE: 1"=20'-0"



**02 3/4\"/>**



**03 TURF SPRAY ASSEMBLY**  
SCALE: 3/8\"/>

MAXIMUM LATERAL LENGTH (FEET)		WATER FLOW RATE (GPM)	
12\"/>			
PSI	0.6	0.6	0.6
10	125	98	175
20	249	191	350
30	377	278	524
40	505	365	698
50	633	452	872
60	761	539	1046

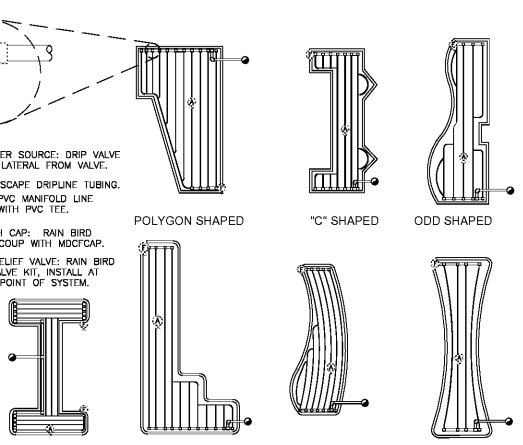
  

GRID PRECIPITATION RATES (IN/HR)		EMITTER FLOW RATE	
EMITTER SPACING	12\"/>		
12	1.0	0.6	0.9
18	1.5	0.9	1.35
24	2.0	1.2	1.8

LATERAL FLOW PER 100 FT (GPM)		POLY PIPE HEADER SIZE	
EMITTER FLOW	SPACING	12\"/>	
0.6 GPM	12\"/>		

**04 ELECTRIC REMOTE CONTROL VALVE**  
SCALE: 1-1/2\"/>



**05 REDUCED PRESSURE BACKFLOW DEVICE**  
SCALE: 1\"/>



**06 TYPICAL RAIN BIRD DRIPLINE REQUIREMENTS**  
SCALE: N.T.S.

**SLOPED CONDITION NOTE:**  
 1. DRIPLINE LATERALS SHOULD FOLLOW THE CONTOURS OF THE SLOPE WHENEVER POSSIBLE.  
 2. INSTALL AIR RELIEF VALVE AT HIGHEST POINT.  
 3. NORMAL SPACING WITHIN THE TOP 1/4 OF SLOPE.  
 4. INSTALL DRIPLINE AT 25% GREATER SPACING AT THE BOTTOM 1/4 OF THE SLOPE.  
 5. WHEN ELEVATION CHANGE IS 10 FT OR MORE, ZONE THE BOTTOM 1/4 ON A SEPARATE VALVE.

**07 IRRIGATION SCHEDULE:**  
SCALE: N.T.S.

SYMBOL	MANUFACTURER/MODEL/DESCRIPTION	DETAIL
●	Rain Bird 1806 ADJ Turf Spray 6.0" Pop-Up Sprinkler with Co-Molded Wiper Seal, Side and Bottom Inlet, 1/2" NPT Female Threaded Inlet.	3/L2.01
●	Rain Bird 1806 ADJ Turf Spray 6.0" Pop-Up Sprinkler with Co-Molded Wiper Seal, Side and Bottom Inlet, 1/2" NPT Female Threaded Inlet.	3/L2.01
⊗	Rain Bird XCZ-150-PRB-COM High Flow Control Zone Kit, for Large Commercial Drip Zones, 1-1/2" PESB with two 1" Pressure Reducing (40psi) Quick Basket Filters-Flow range: 15-40gpm.	3/L2.01
⊗	Area for Dripline with XFCV 15-12 (18) XFCV with Surface Check Valve Dripline with a Heavy-Duty 1.5 psi Check Valve, 0.6GPH Emitters and 1/2" O.C. Dripline laterals spaced at 12" apart, with emitters offset for triangular pattern. Great for elevation change.	6/L2.01
SYMBOL	MANUFACTURER/MODEL/DESCRIPTION	DETAIL
●	Rain Bird PGA Globe 1", 1-1/2", 2" Electric Remote Control Valve, Globe.	4/L2.01
●	Febco 825Y 1-1/2" Reduced Pressure Backflow Preventer	5/L2.01
⊗	Rain Bird ESP8X-LXMM 8 Station Capable Commercial Controller. Mounted on a Powder-Coated Metal Cabinet Without Flow Sensing.	
⊗	Rain Bird RSD-BEX Rain Sensor, with metal latching bracket, extension wire.	
⊗	Water Meter 1-1/2"	
---	Irrigation Lateral Line: PVC Schedule 40 PVC Schedule 40 irrigation pipe. Only lateral transition pipe sizes 1" and above are indicated on the plan, with all others being 3/4" in size.	
---	Irrigation Mainline: PVC Schedule 40 PVC Schedule 40 irrigation pipe.	
---	Pipe Sleeve: PVC Schedule 40 6" PVC Schedule 40	

**08 VALVE SCHEDULE**  
SCALE: N.T.S.

NUMBER	MODEL	SIZE	TYPE	GPM	PSI @ POC
1	Rain Bird XCZ-150-PRB-COM	1-1/2"	Area for Dripline	5.86	32.94
2	Rain Bird PGA Globe	1-1/2"	Turf Spray	50.91	49.45
3	Rain Bird PGA Globe	1-1/2"	Turf Spray	24.07	40.44
4	Rain Bird XCZ-150-PRB-COM	1-1/2"	Area for Dripline	10.81	32.98
5	Rain Bird PGA Globe	1-1/2"	Turf Spray	31.94	43.59
6	Rain Bird PGA Globe	1-1/2"	Turf Spray	30.58	42.83
7	Rain Bird PGA Globe	1"	Turf Spray	29.31	46.60
8	Rain Bird XCZ-150-PRB-COM	1-1/2"	Area for Dripline	13.80	37.58

**09 IRRIGATION NOTES:**  
SCALE: N.T.S.

- ALL PLANTING AND SOD AREAS SHALL BE IRRIGATED FOR COMPLETE COVERAGE.
- ALL DRIP IRRIGATION TUBING SHALL BE SECURED WITH SOIL STAPLES.
- EXCEPT AS OTHERWISE PROVIDED, THE CONTRACTOR SHALL PROCURE ALL PERMITS AND LICENSES, PAY ALL CHARGES & FEES AND GIVE ALL NOTICES NECESSARY & INCIDENTAL TO THE DUE LAWFUL PROSECUTION OF THE WORK.
- CONTRACTOR SHALL NOTIFY PERTINENT UTILITY COMPANIES 48 HOURS PRIOR TO CONSTRUCTION FOR CURRENT UTILITY LOCATIONS. EXTREME CARE SHALL BE EXERCISED IN EXCAVATING AND WORKING NEAR EXISTING UTILITIES. CONTRACTOR SHALL VERIFY THE LOCATION & CONDITION OF ALL UTILITIES & BE RESPONSIBLE FOR DAMAGE TO ANY UTILITIES.
- THE CONTRACTOR SHALL AT ALL TIMES PROTECT HIS WORK FROM DAMAGE & THEFT & REPLACE ALL DAMAGED OR STOLEN PARTS UNTIL THE WORK IS ACCEPTED IN WRITING BY OWNER.
- THE CONTRACTOR SHALL NOT WILLFULLY INSTALL THE SPRINKLER SYSTEM AS SHOWN ON THE DRAWINGS WHEN IT IS OBVIOUS IN THE FIELD THAT OBSTRUCTIONS, GRADE DIFFERENCES OR DIFFERENCES IN THE AREAS DIMENSIONS EXIST THAT MIGHT NOT HAVE BEEN CONSIDERED IN THE ENGINEERING. SUCH OBSTRUCTIONS OR DIFFERENCES SHALL BE BROUGHT TO THE ATTENTION OF THE OWNER. IN THE EVENT THIS NOTIFICATION IS NOT PERFORMED, THE IRRIGATION CONTRACTOR SHALL ASSUME FULL RESPONSIBILITY.
- CONTRACTOR SHALL CLEARLY MARK ALL EXPOSED EXCAVATIONS, MATERIALS AND EQUIPMENT. COVER ALL BARRICADE TRENCHES WHEN CONTRACTOR IS NOT ON SITE.
- CONTRACTOR SHALL INSTALL 1.5" WATER METER FOR THE IRRIGATION SYSTEM AS PART OF THIS CONTRACT.
- CONTRACTOR SHALL ZONE PLANTING BED AREAS, AND SOD BEDS SEPARATELY.
- CONTRACTOR SHALL COORDINATE WITH THE OWNER'S REPRESENTATIVE FOR CONTROLLER LOCATION. CONTROLLER SHALL BE CONNECTED TO AVAILABLE. POWER AT ADJACENT TRANSFORMER/PEDESTAL AS PART OF THIS CONTRACT.
- CONTRACTOR TO PROVIDE COMPLETE (AS BUILT) DOCUMENTS.
- CONTRACTOR TO PROVIDE IRRIGATION CUT SHEETS ON ALL IRRIGATION COMPONENTS INCLUDING: WIRE, VALVES, CONTROLLER, PVC, PVC PIPE, FITTINGS, VALVE BOXES, WIRE CONNECTORS, ETC., TO LANDSCAPE ARCHITECT FOR APPROVAL PRIOR TO INSTALLATION.

Order Plans @ WWW.L21DRIPLINE.COM

**L2.1 IRRIGATION PLAN**

**CONSTRUCTION REISSUE SET**

37358 Market Place Dr.  
Prairieville, LA 70769

Shawn Kesteven and Associates  
Architects & Construction Services  
15458 Hunters Ct., Suite 202  
Ph: 210.695.5716  
Fax: 210.695.5714  
Email: shawn@shawnkesteven.com

Project No. \_\_\_\_\_  
 Drawn: \_\_\_\_\_  
 Date: **November 22, 2017**  
 No. | Description | Date  
 1 | Addendum | 1-13-17