



FFPA AIR STUDIO
 1000 BOBBELL AVENUE SUITE H1
 BAYON ROUGE, LA 70009
 (504) 835-7400

IMEG
 12710 RESEARCH BLVD
 SUITE 305
 HOUSTON, TX 77059
 PH: 281.416.1864
 FAX: 281.416.1847
 www.imeg.com
 IMEG PROJECT # 1607050

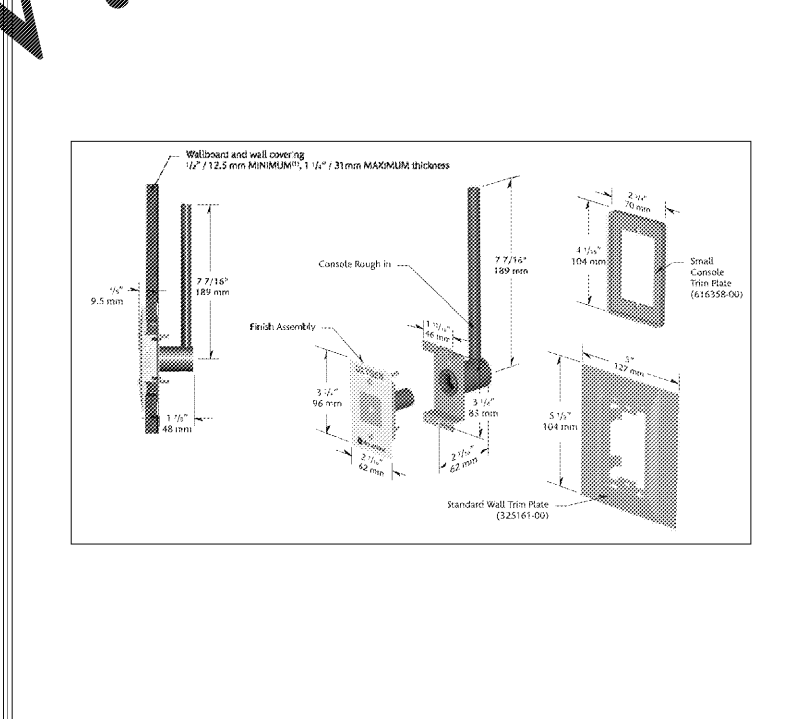
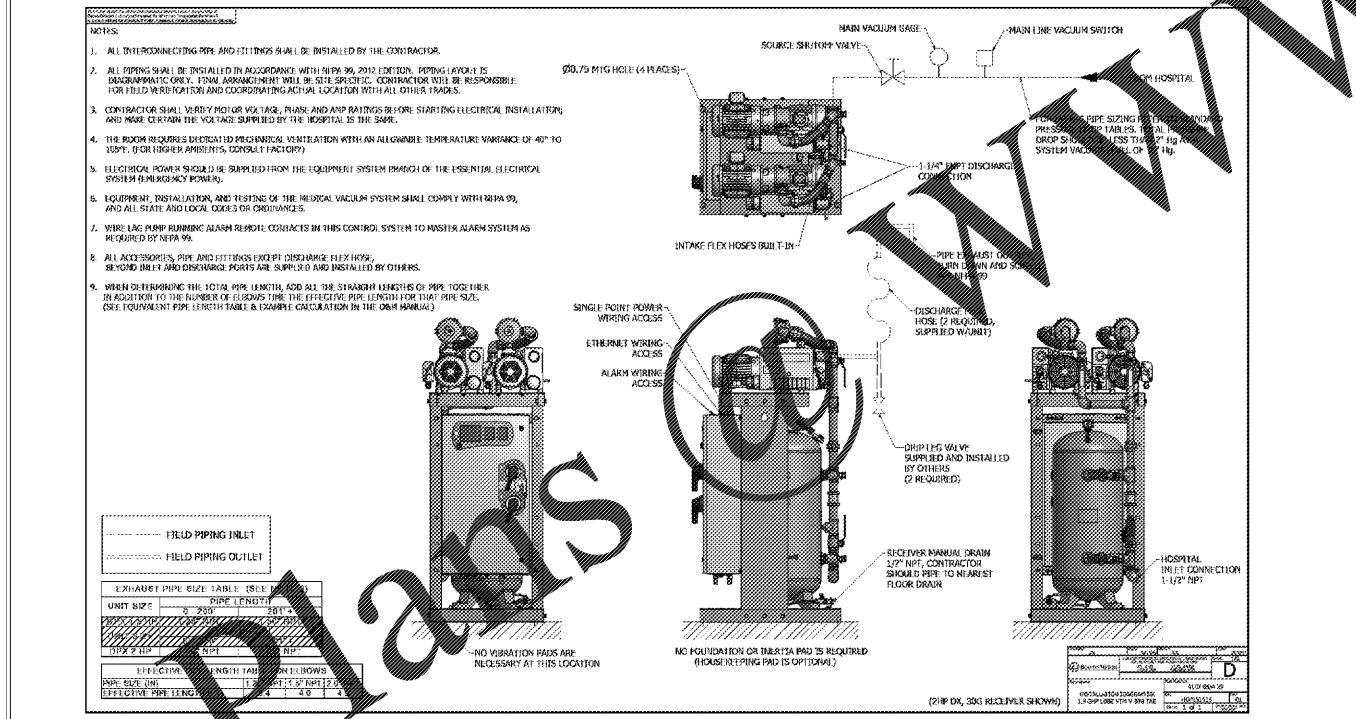
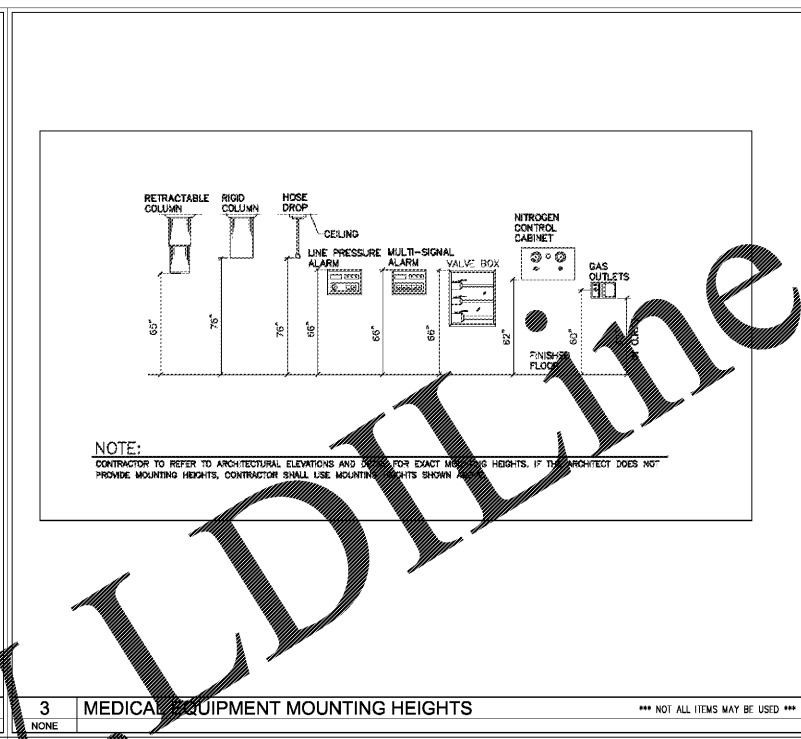
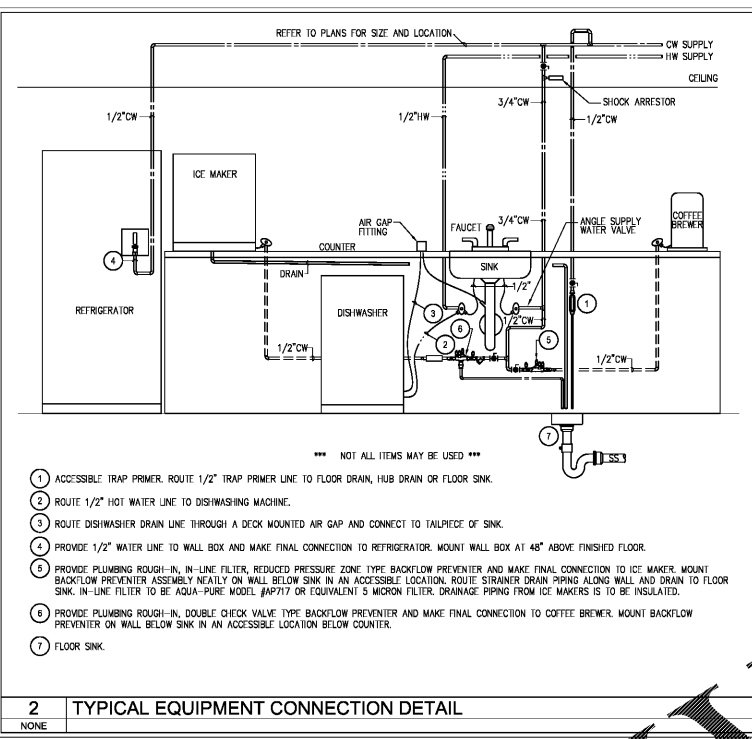
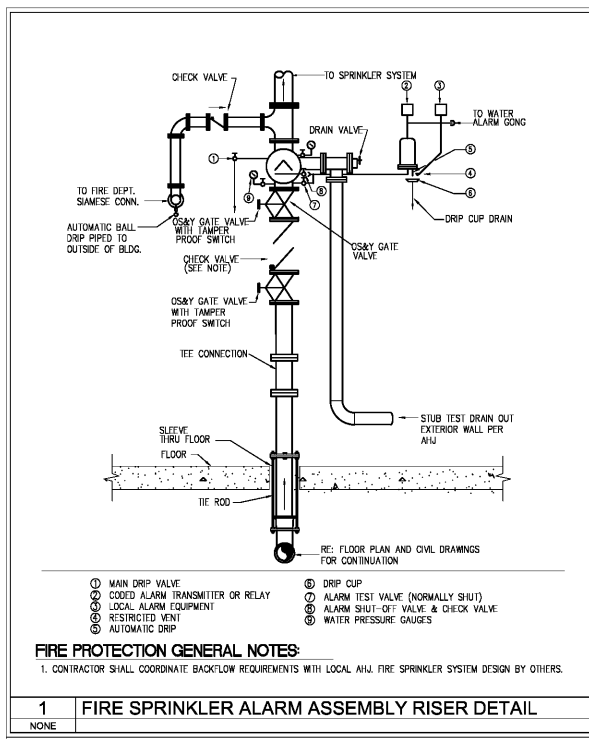
Prairville General Hospital
 37358 Market Place Dr.
 Prairieville, LA 70769

Shawn Kesterson and Associates
 Robert C. Murray, AIA
 Architectural & Construction Services
 14500 Rockwood Rd., Ste. 202
 Houston, TX 77033
 PH: 281.696.5716
 www.rckm.com
 Email: SKA@shawnkesterson.com

CONSTRUCTION REISSUE SET

Project No.	1607050	
Drawn:	AG	
Checked:	-	
Date:	November 22, 2017	
No.	Description	Date

P304
 PLUMBING
 DETAILS



Order Plans