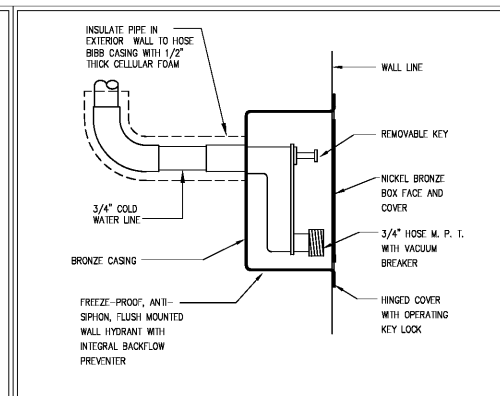
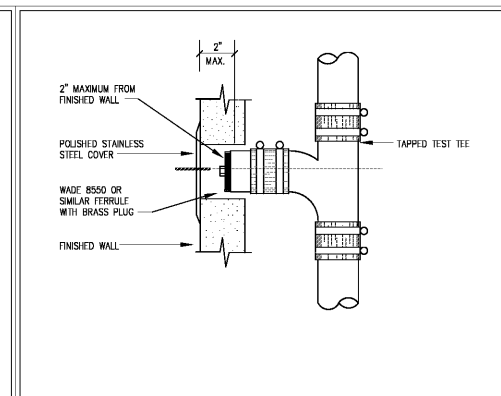


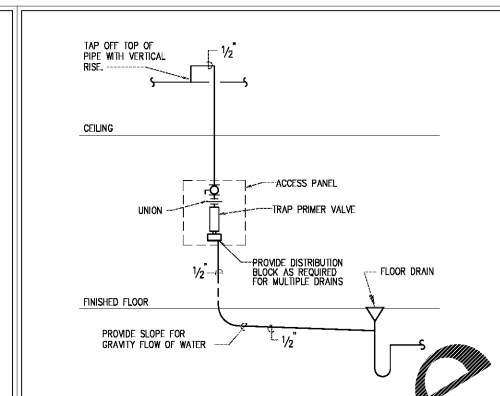
1 FLOOR DRAIN DETAIL  
NONE



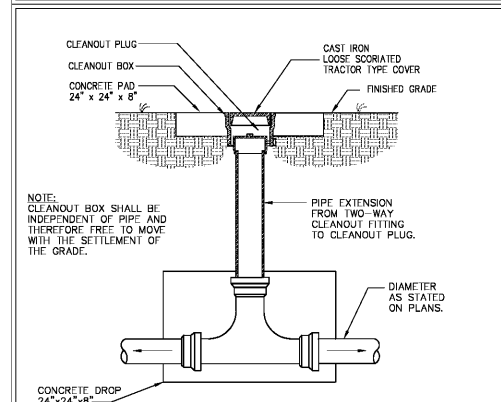
2 WALL HYDRANT DETAIL  
NONE



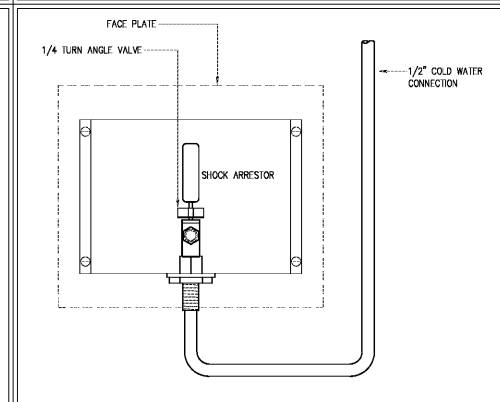
3 WALL CLEANOUT DETAIL  
NONE



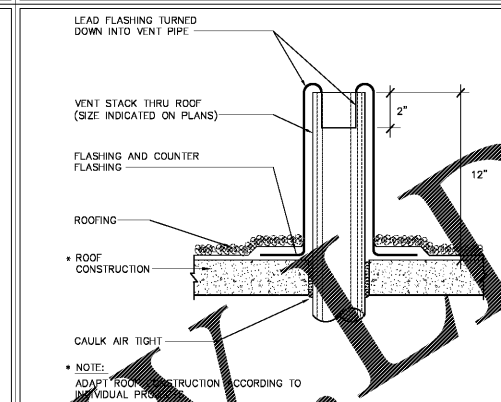
4 TRAP PRIMER DETAIL  
NONE



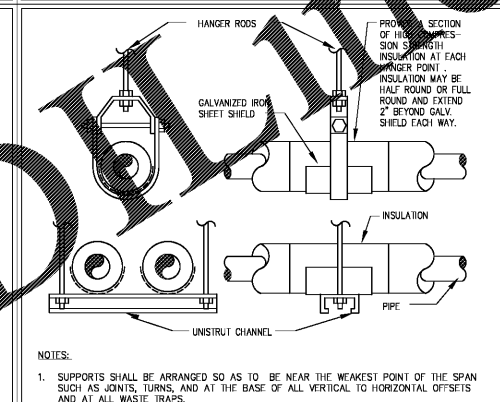
5 YARD CLEANOUT DETAIL (2-WAY)  
NONE



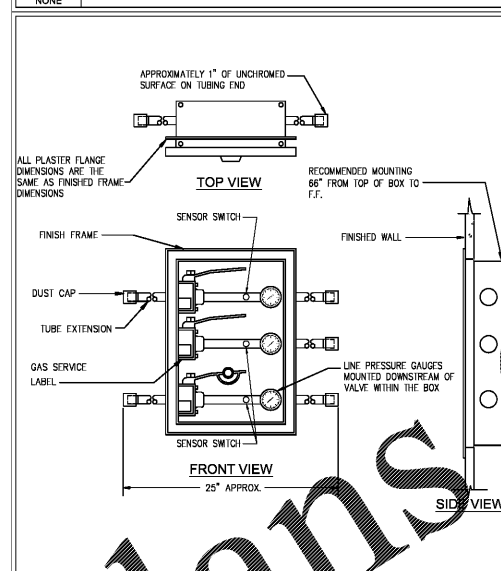
6 REFRIGERATOR HOOK-UP DETAIL  
NONE



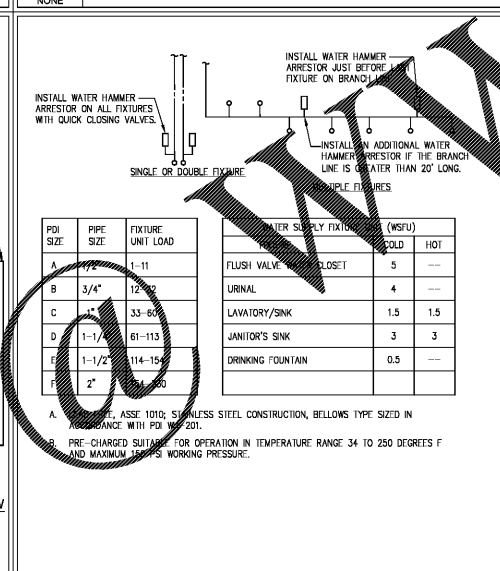
7 VENT STACK THRU ROOF DETAIL  
NONE



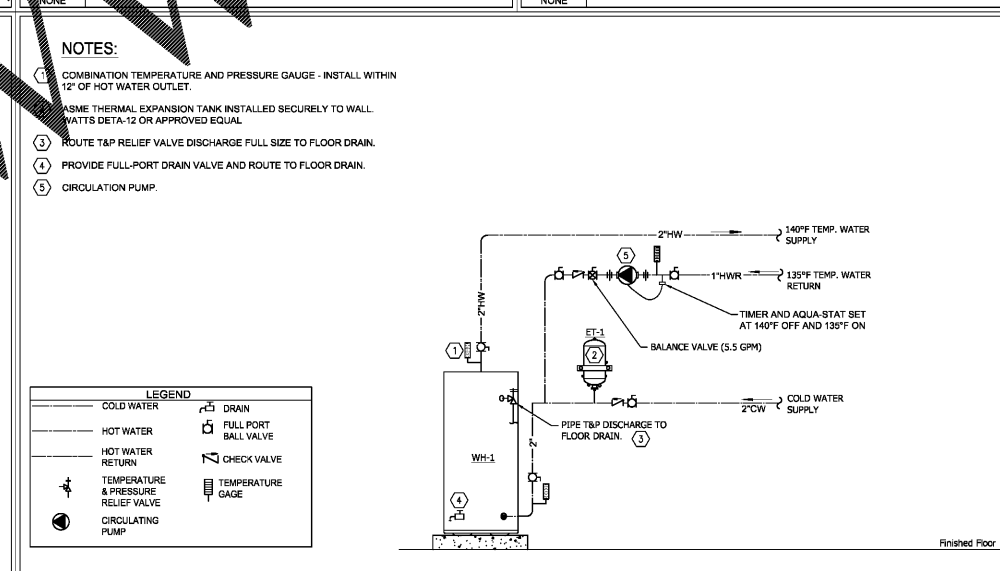
8 PIPE SUPPORT HANGER DETAIL  
NONE



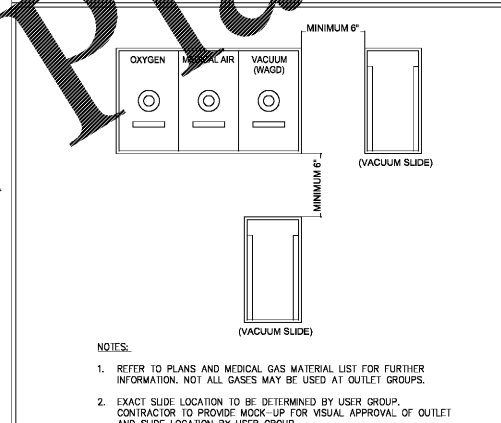
9 ZONE VALVE BOX DETAIL  
NONE



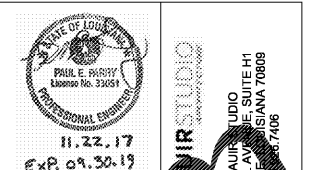
10 WATER HAMMER ARRESTER DETAIL  
NONE



11 WATER HEATER DETAIL  
NONE



12 MEDICAL GAS OUTLET GROUP  
NONE



**FFPAIR STUDIO**  
1600 BOBBELL AVENUE SUITE H1  
BATON ROUGE, LOUISIANA 70809  
PH: 504.416.1666  
FAX: 504.416.1947  
WWW.FFPASTUDIO.COM

**IMEG**  
15716 RESEARCHWAY BLVD  
SUITE 305  
DALLAS, TX 75244  
PH: 972.356.7070  
WWW.IMEG.COM

**Prairieville General Hospital**  
37358 Market Place Dr.  
Prairieville, LA 70769

Shawn Kester and Associates  
Robert C. Murray AIA  
Architecture & Construction Services  
15418 Meadowdale Rd. Ste. 202  
Dallas, TX 75244  
PH: 214.995.5716  
FAX: 214.995.5714  
EMAIL: SKA@shawnkester.com

**CONSTRUCTION REISSUE SET**

Project No. 1607050  
Drawn: AG  
Checked: -  
Date: November 22, 2017

No.	Description	Date

**P303**  
PLUMBING  
DETAILS

Order Plans