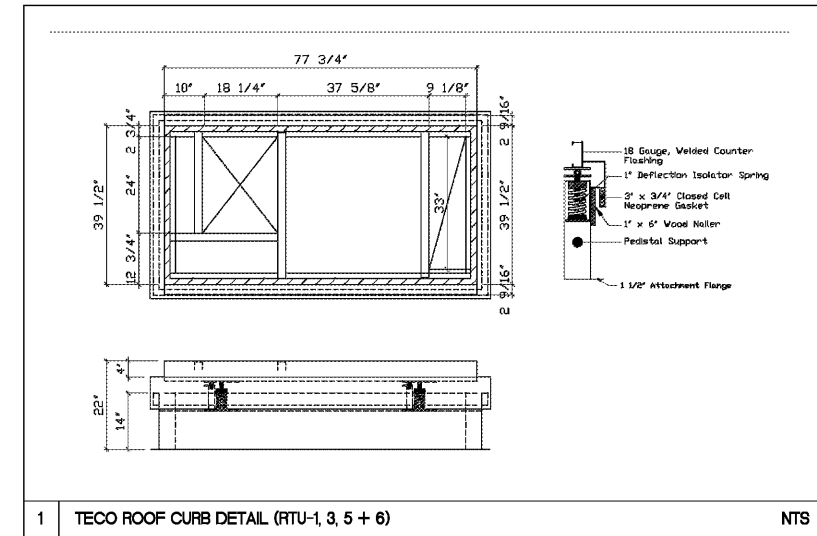
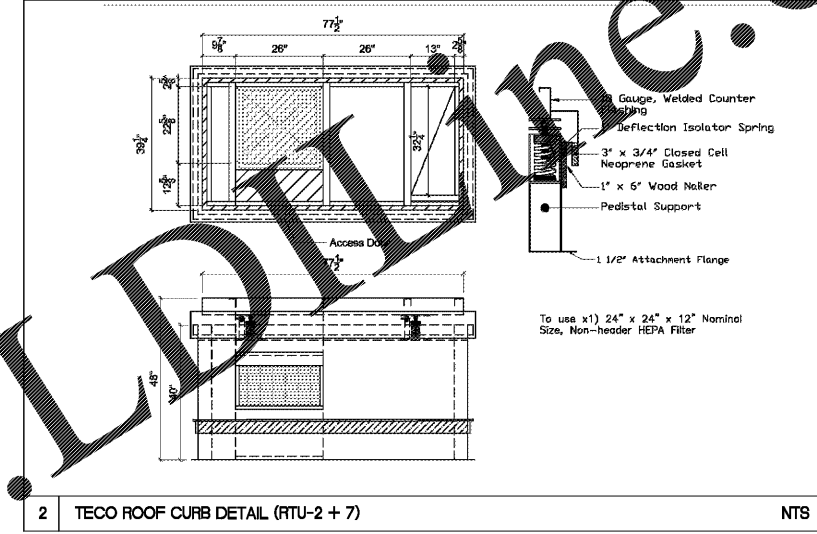
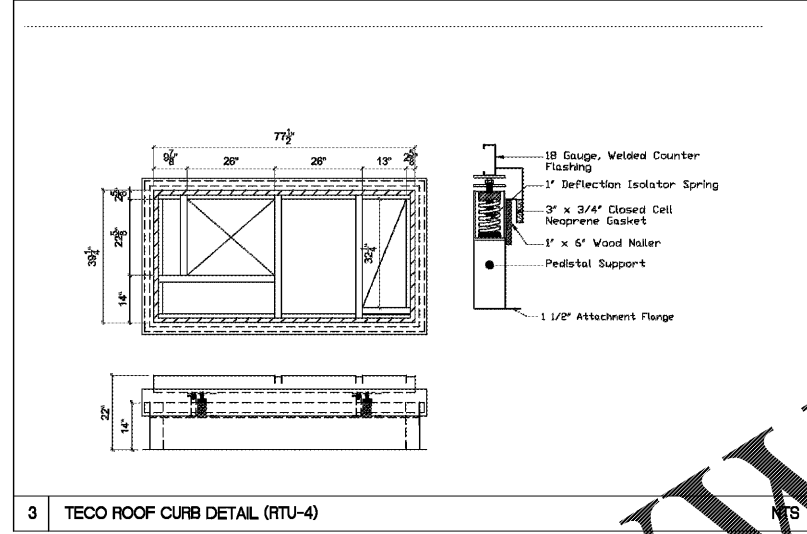


Order Plans @ www.LDOnline.com



STATE OF LOUISIANA
 PROFESSIONAL ENGINEER
 PAUL E. HURST
 License No. 33051
 11.22.17
 Exp. 09.30.19

FFPA ARCHITECTURE
 OFFICE
 1600 BOBBELL AVENUE SUITE H1
 BAYON ROUGE, LOUISIANA 70009
 (504) 835-7406

IMEG
 15716 RESEARCH BLVD
 SUITE 300
 HOUSTON, TX
 77059
 (713) 961-6300
 www.imegcorp.com
 IMEG PROJECT # 00161306

Prairieville General Hospital
 37358 Market Place Dr.
 Prairieville, LA 70769

Shawn Kauten and Associates
 Robert C. Murray, AIA
 Architectural & Construction Services
 13438 Boulder Ln., Ste. 202
 Houston, TX 77040
 Tel: 281.695.5716
 Fax: 281.695.5714
 Email: shawn@shawnkauten.com

CONSTRUCTION REISSUE SET

Project No.	1607050	
Drawn:	DL/MP	
Checked:	MZ	
Date:	November 22, 2017	
No.	Description	Date

M303
 MECHANICAL
 DETAILS