

11.22.17
Exp. 09.30.19

FFPA AIR STUDIO
1000 BOBBELL AVENUE SUITE H1
BAYON ROUGE, LA 70009
713.246.7406

IMEG
15716 RESEARCH BLVD
SUITE 355
HOUSTON, TX 77058
713.246.7406
www.imegproject.com

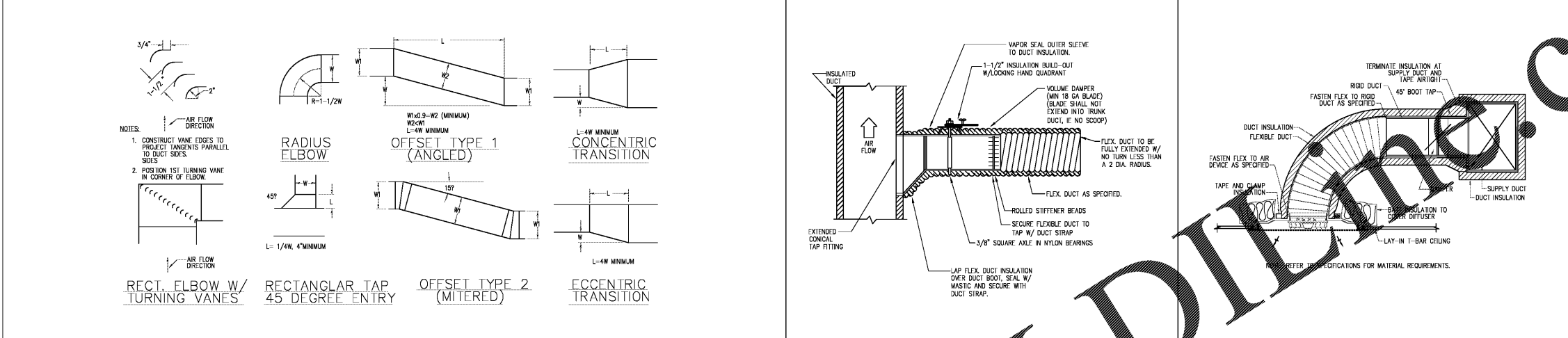
Prairville General Hospital
37358 Market Place Dr.
Prairville, LA 70769

Shawn Keaton and Associates
Robert C. Murray, AIA
Architects & Construction Services
13438 Boulder Rd. Ste. 202
Houston, TX 77040
Ph: 281.695.5716
Fax: 281.695.5714
Email: shawn@shawnkeaton.com

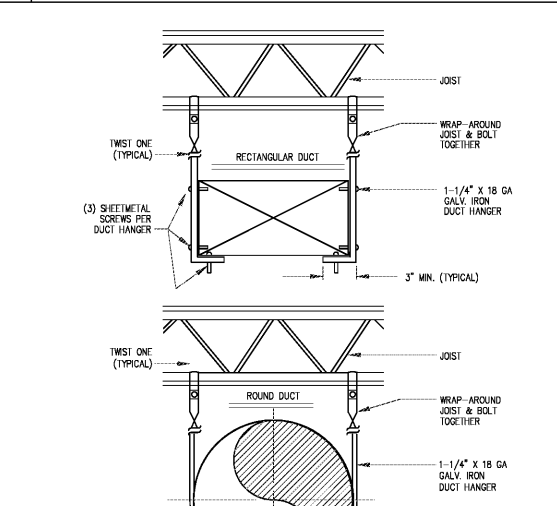
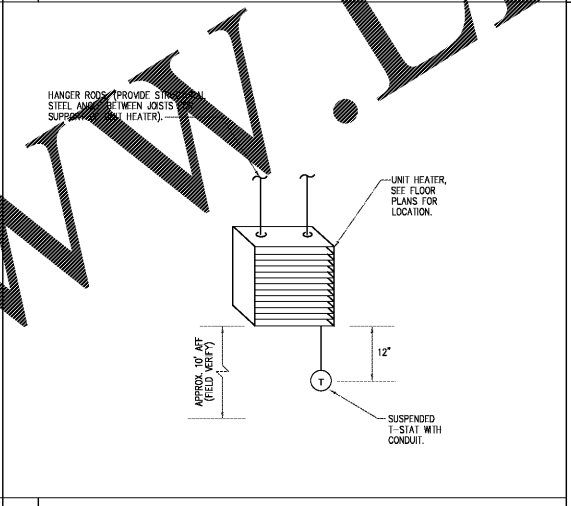
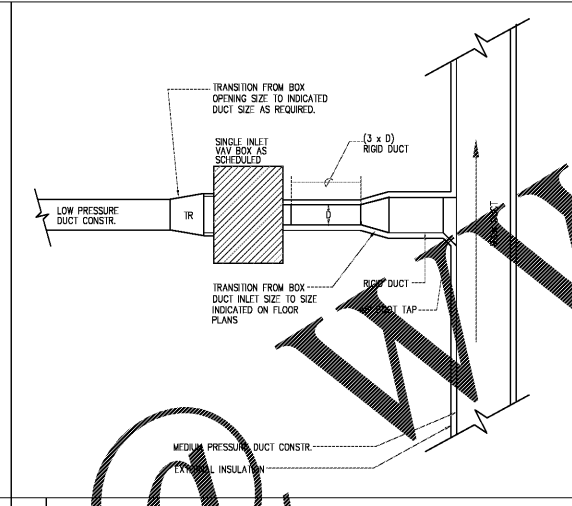
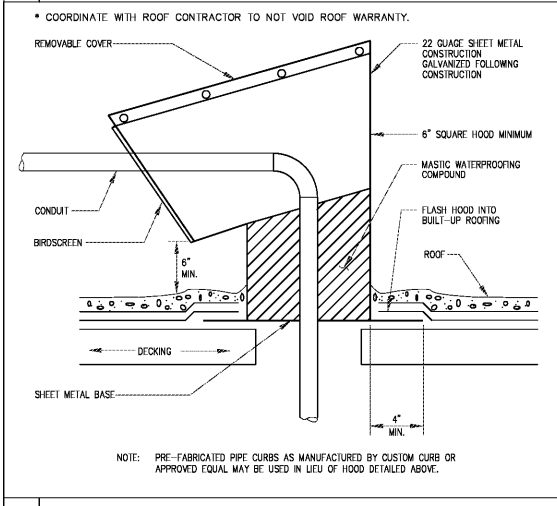
CONSTRUCTION REISSUE SET

Project No.	1607050	
Drawn:	DL/MP	
Checked:	MZ	
Date:	November 22, 2017	
No.	Description	Date

M302
MECHANICAL
DETAILS



9 STANDARD DUCT CONSTRUCTION DETAILS NTS 5 BOOT TAP DETAIL NTS 2 FLEXIBLE DUCT AND CEILING DIFFUSER DETAIL NTS

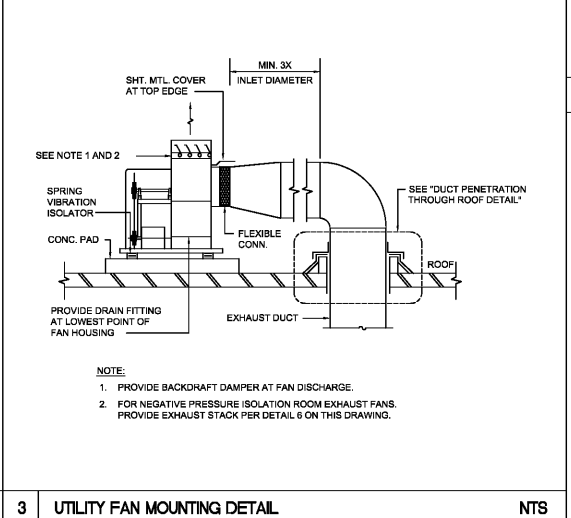
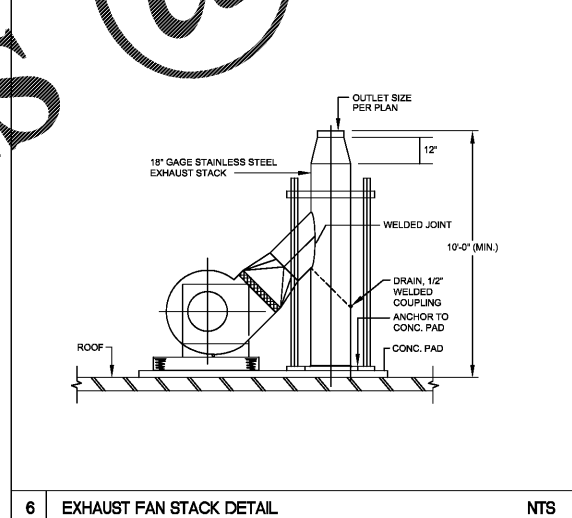


8 REFRIGERANT PIPING THRU ROOF DETAIL NTS

7 SINGLE INLET VAV BOX DETAIL NTS

4 UNIT HEATER DETAIL NTS

2 FLEXIBLE DUCT AND CEILING DIFFUSER DETAIL NTS



1 DUCT HANGER DETAIL

8 REFRIGERANT PIPING THRU ROOF DETAIL NTS

7 SINGLE INLET VAV BOX DETAIL NTS

4 UNIT HEATER DETAIL NTS

2 FLEXIBLE DUCT AND CEILING DIFFUSER DETAIL NTS

Order Plans @