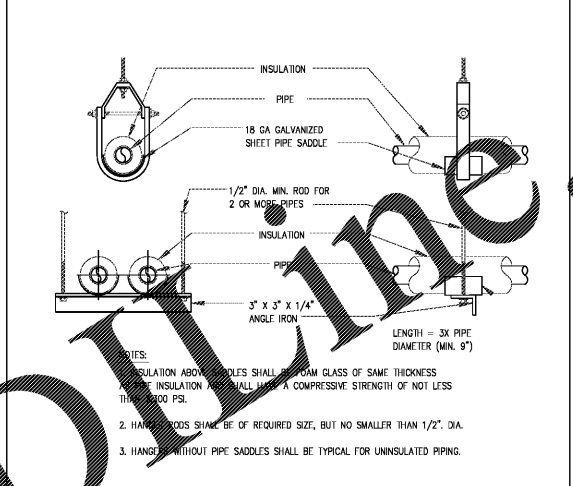
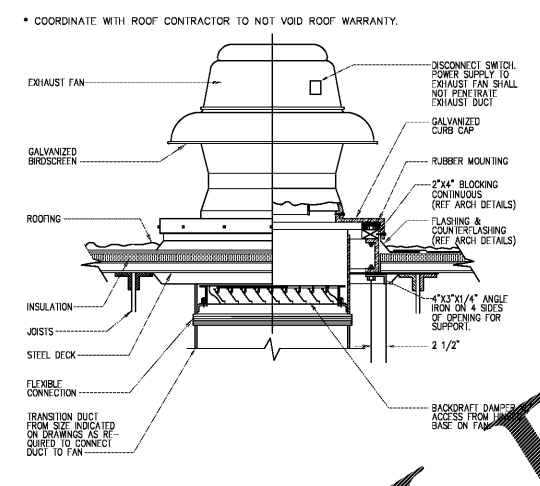


No.	Description	Date

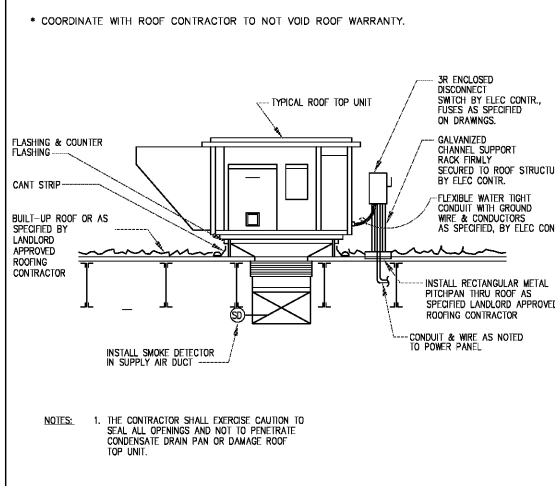
No.	Description	Date



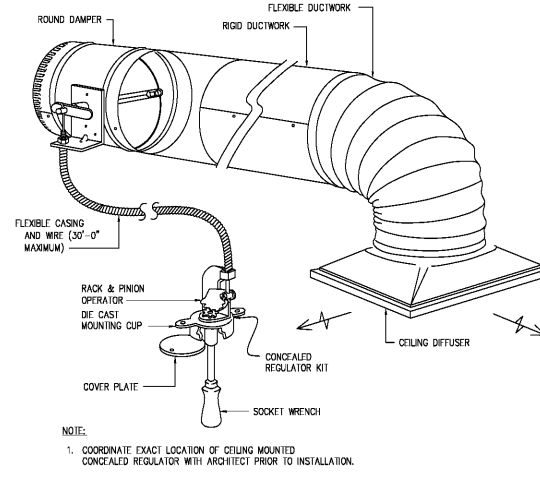
6 PIPE HANGER INSTALLATION DETAIL NTS



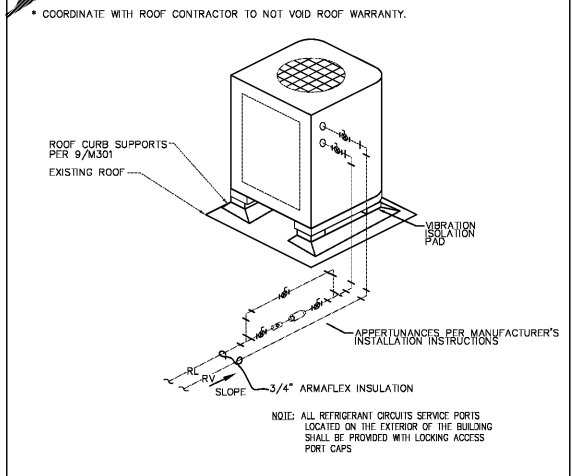
6 ROOF EXHAUST FAN DETAIL NTS



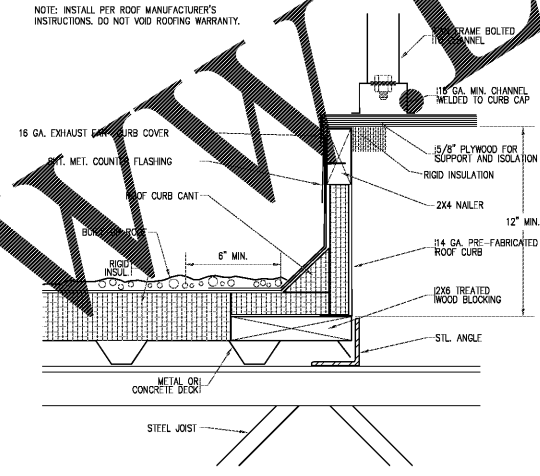
10 ROOFTOP DETAIL NTS



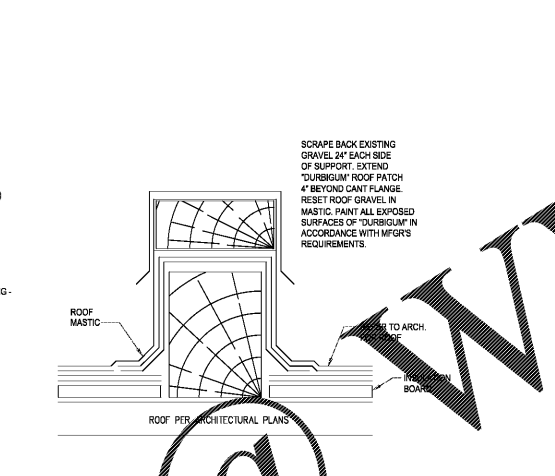
11 YOUNG REGULATOR REMOTE CABLE SYSTEM DETAIL NTS



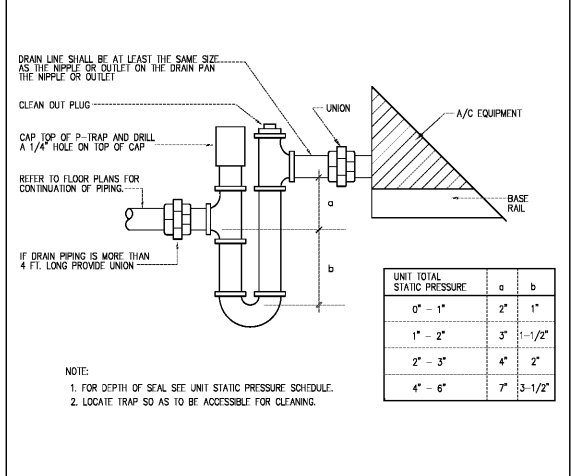
2 ROOF MOUNTED CONDENSING UNIT DETAIL NTS



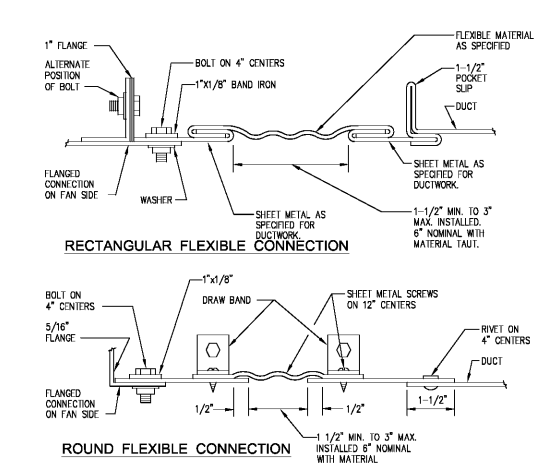
5 ROOF CURB DETAIL NTS



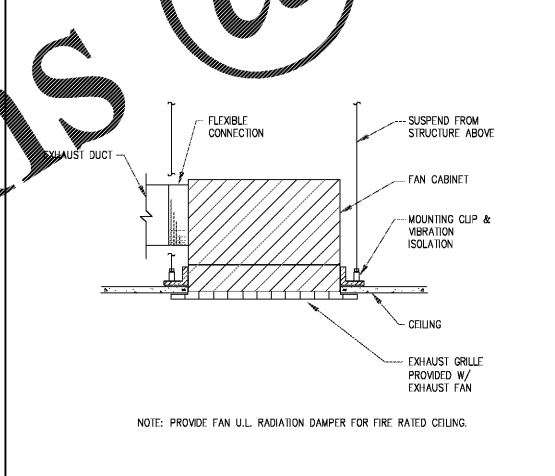
9 ROOF EQUIPMENT SUPPORT DETAIL NTS



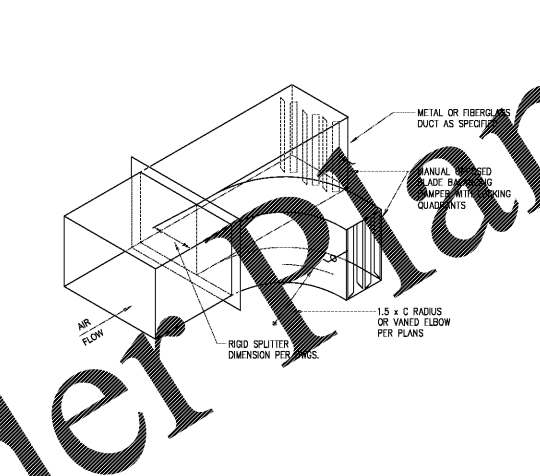
1 CONDENSATE DRAIN TRAP (DRAW THRU) NTS



4 DUCT FLEXIBLE CONNECTION DETAIL NTS



7 CEILING MOUNTED EXHAUST FAN DETAIL NTS



8 DUCT SPLITTER DETAIL NTS

Order Plans @ WWW.WWJLD.com