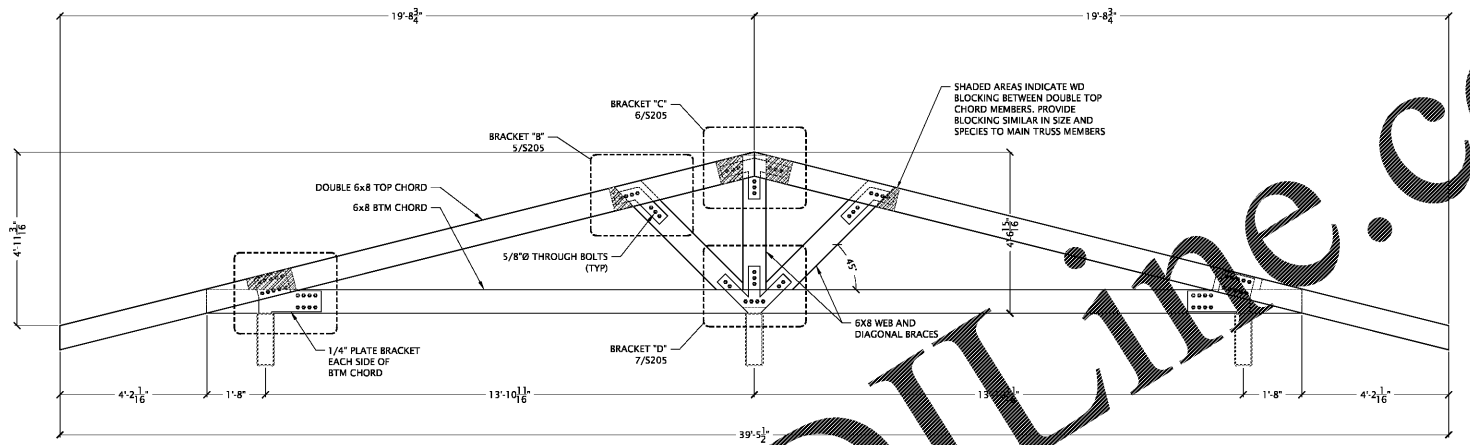
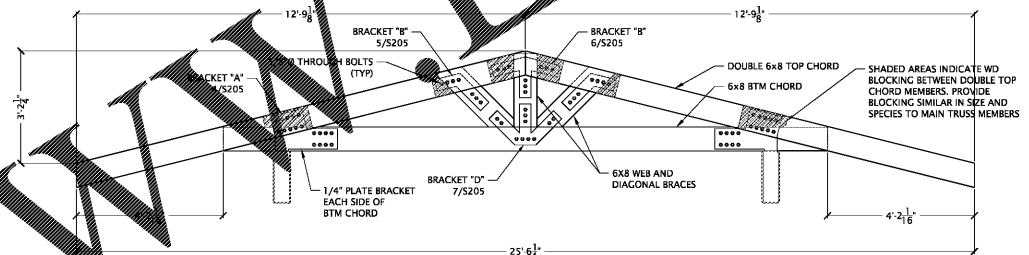


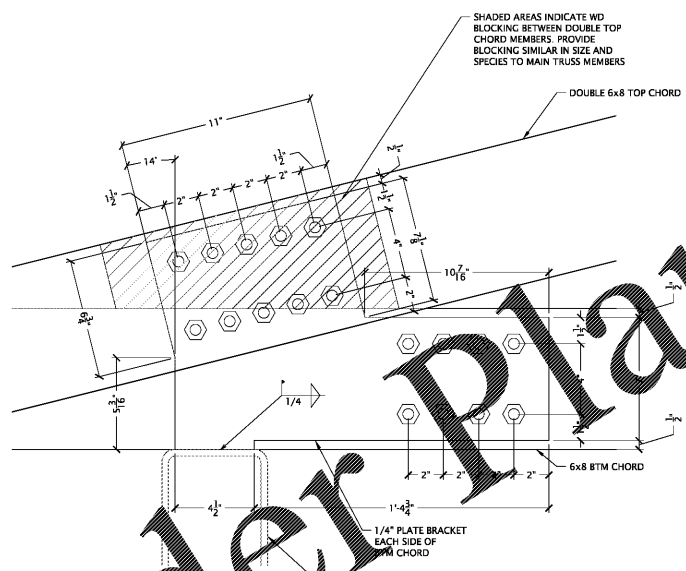
1 CANOPY SECTION
SCALE: 3/8" = 1'-0"



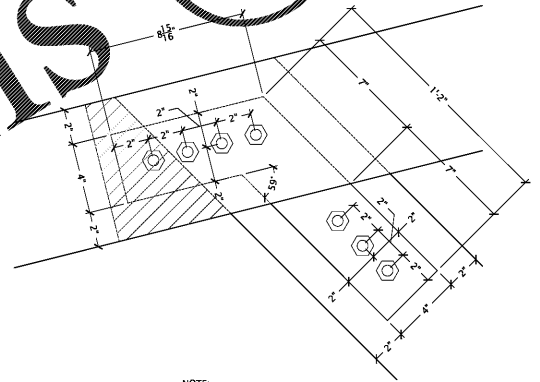
2 CANOPY TRUSS LRG
SCALE: 1/2" = 1'-0"



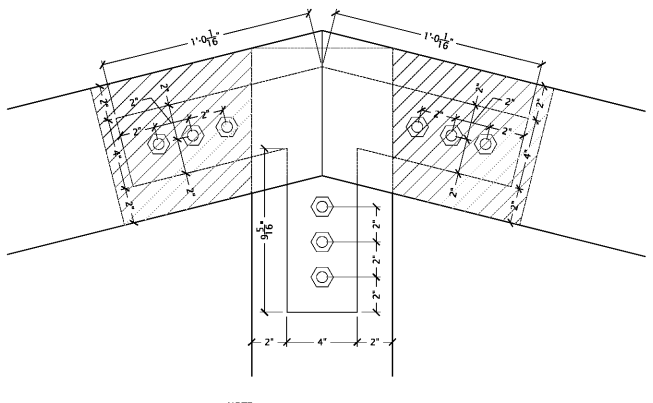
3 CANOPY TRUSS SML
SCALE: 1/2" = 1'-0"



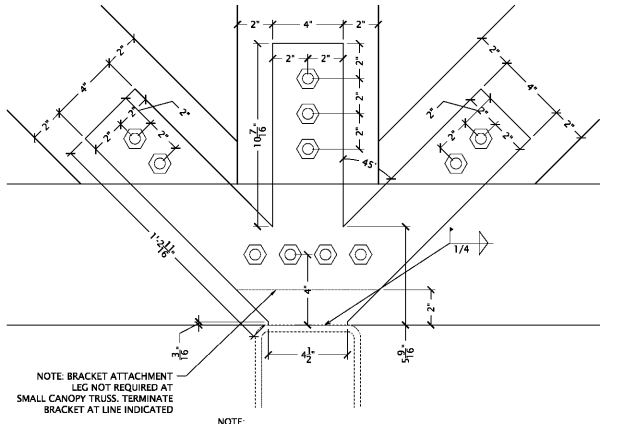
4 BRACKET "A" DETAIL
SCALE: 3" = 1'-0"



5 BRACKET "B" DETAIL
SCALE: 3" = 1'-0"



6 BRACKET "C" DETAIL
SCALE: 3" = 1'-0"



7 BRACKET "D" DETAIL
SCALE: 3" = 1'-0"

Order Plans @ WWW.LDLINE.COM

LD LINE ARCHITECTURE
11750 W. HUNTERS TRAIL
SUITE 110
DALLAS, TEXAS 75244
PHONE: 972.467.4600
WWW.LDLINE.COM

Prairieville General Hospital
37358 Market Place Dr.
Prairieville, LA 70769



Shawn Keaton and Associates
Robert C. Murray, AIA
Architects & Construction Services
15408 Markham Rd., Ste. 202
Houston, TX 77032
Ph: 281.696.5716
Email: RCM@shawnkeaton.com



Project No. 1007050
Drawn: DR
Checked: CHK
Date: November 22, 2017

No.	Description	Date

STEIN L. LASSEGNE
A STRUCTURAL ENGINEERING GROUP
400 W. HUNTERS TRAIL, SUITE 110
DALLAS, TEXAS 75244
214.709.6167 WWW.SLANG.COM
SL JOB NO. 2016-233

CONSTRUCTION REISSUE SET

S205
FRAMING
DETAILS