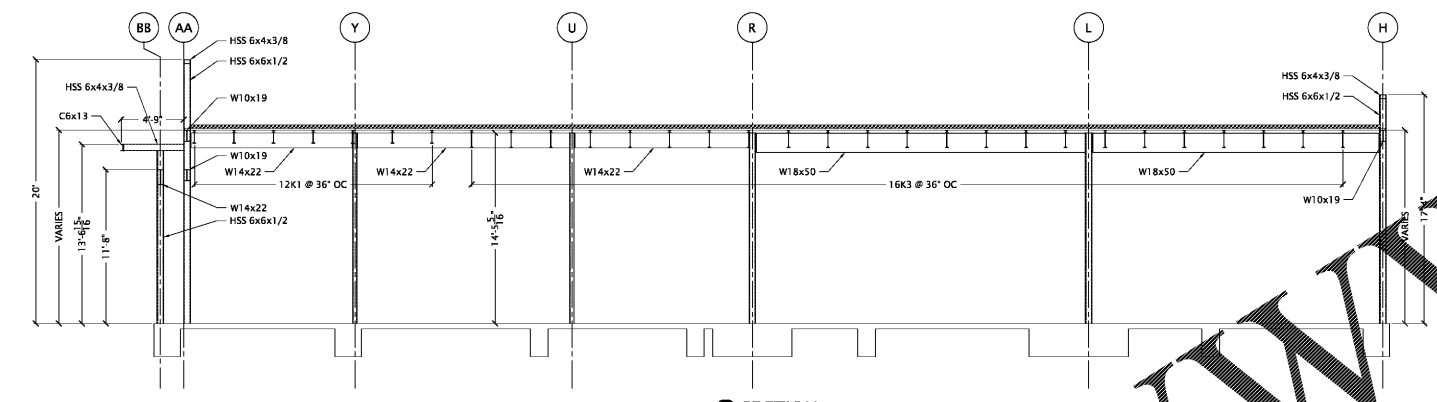
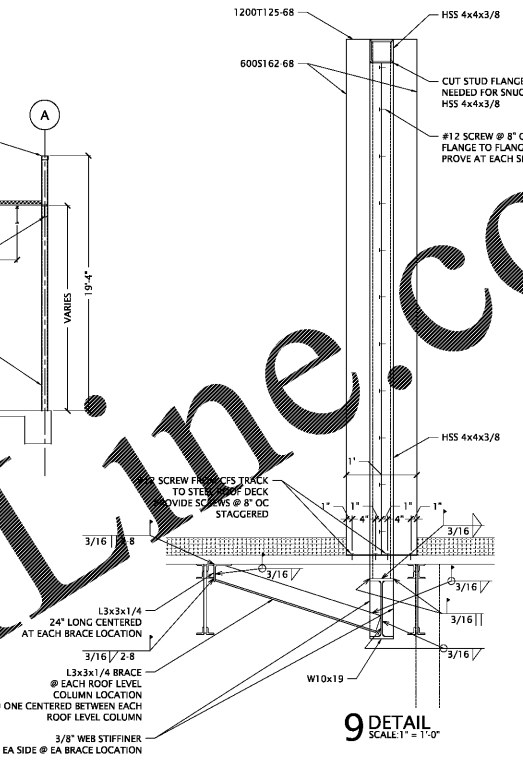


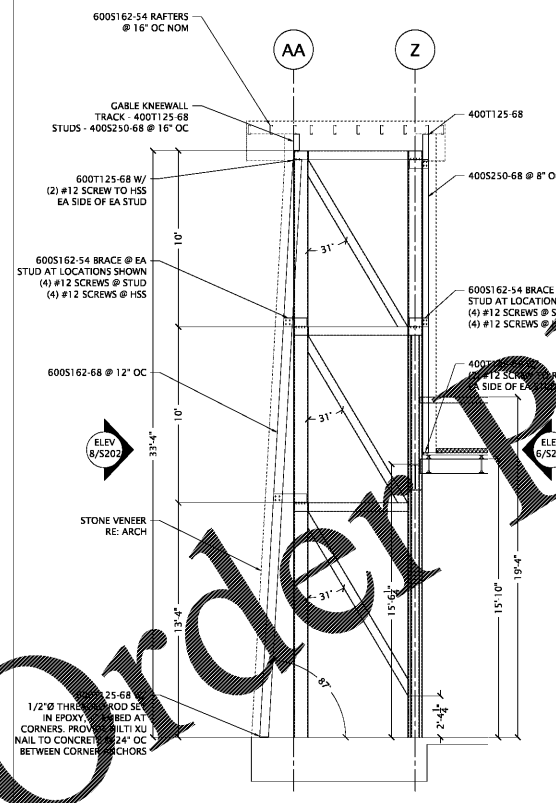
1 SECTION
SCALE: 3/16" = 1'-0"



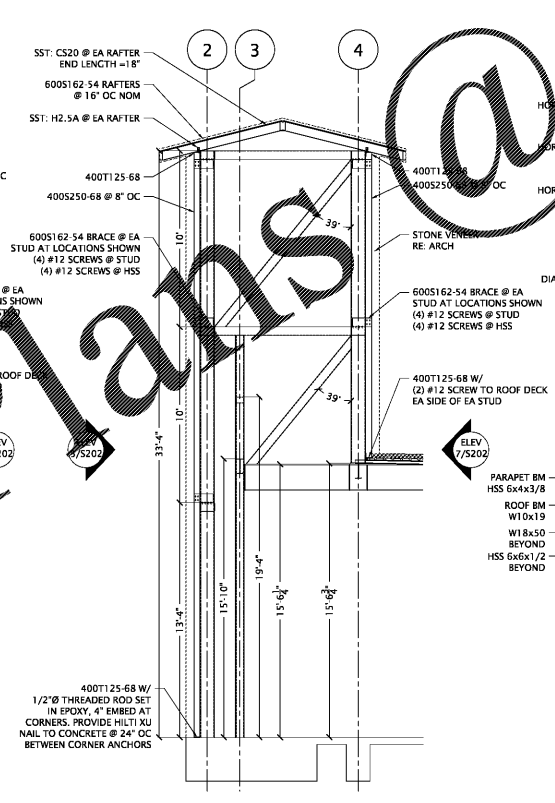
2 SECTION
SCALE: 3/16" = 1'-0"



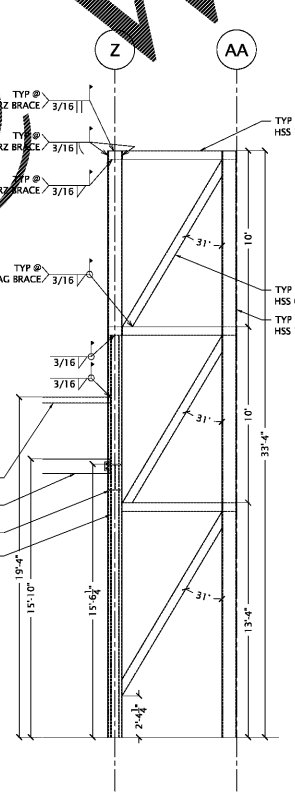
9 DETAIL
SCALE: 1" = 1'-0"



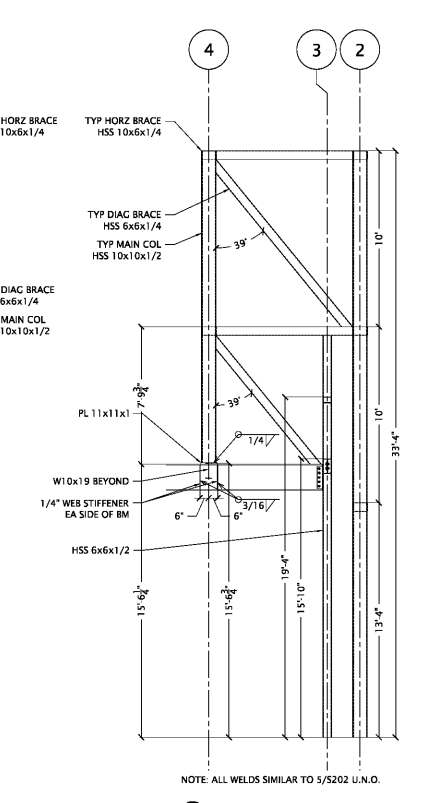
3 SECTION
SCALE: 1/4" = 1'-0"



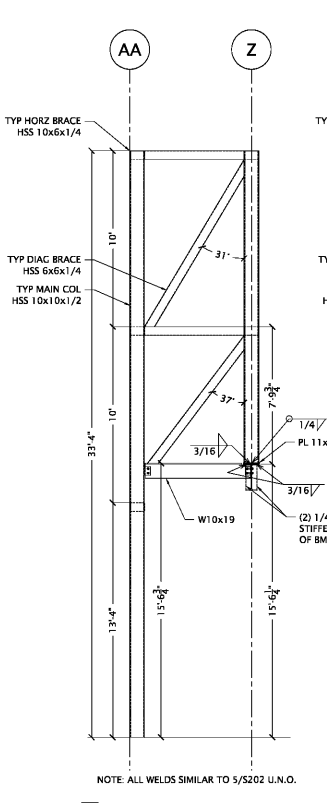
4 SECTION
SCALE: 1/4" = 1'-0"



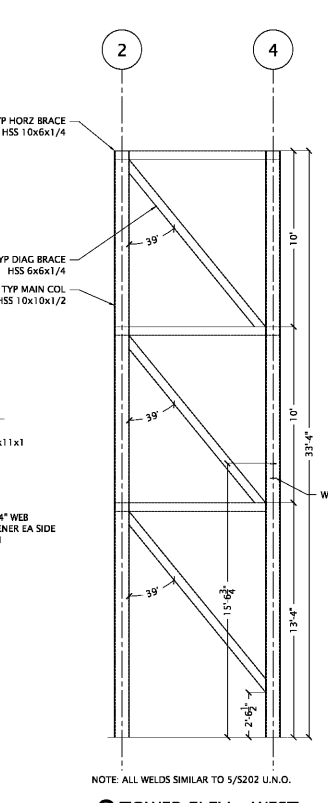
5 TOWER ELEV - NORTH
SCALE: 1/4" = 1'-0"



6 TOWER ELEV - EAST
SCALE: 1/4" = 1'-0"



7 TOWER ELEV - SOUTH
SCALE: 1/4" = 1'-0"



8 TOWER ELEV - WEST
SCALE: 1/4" = 1'-0"

WWW.LDILLINE.COM

Order Plans @

LDI
 LDILLINE DESIGN
 11000 BOBBELL AVENUE SUITE H1
 BAYON ROUGE, LA 70009
 (504) 833-7400

Prairieville General Hospital
 37358 Market Place Dr.
 Prairieville, LA 70769



Shawn Keaton and Associates
 Robert C. Murray, AIA
 Architects & Construction Services
 15438 Bluebonnet Rd., Ste. 202
 Houston, TX 77057
 Ph: 281.696.5716
 Email: SKA@skarch.com

CONSTRUCTION REISSUE SET

Project No.	1007050	
Drawn:	DR	
Checked:	CHK	
Date:	November 22, 2017	
No.	Description	Date

STEIN L'ASSEIGNE
 A STRUCTURAL ENGINEERING GROUP
 STEIN L'ASSEIGNE, INC.
 400 W. BECKLEY BLVD #11
 BAYON ROUGE, LA 70009
 225.709.8187 WWW.SLGROUP.COM
 SL JOB NO. 2016-233

S202
 FRAMING
 DETAILS