

FFPAIR STUDIO
1100 BELLEVUE AVENUE SUITE H1
BAYON ROUGE, LA 70069
713-835-7406



MILLWORK SCHEDULE

GENERAL CONSTRUCTION:
ALL MILLWORK WILL BE OF "EUROPEAN" CONSTRUCTION WITH FLUSH DOORS AND DRAWERS TO CABINETS, UNLESS OTHERWISE DIRECTED BY OWNER OR INTERIOR DESIGNER.

ALL MILLWORK FRAMING WILL BE A MINIMUM OF 1"x4" WOOD FRAMING WITH ALL CONNECTIONS "POCKET SCREWED" AND GLUED. ALL FRONTS AND SIDES OF CABINETS WILL BE A MINIMUM OF 3/4" MDF ALONG WITH ALL DOOR AND DRAWER FRONTS. DRAWERS WILL BE 8" TALL. ALL COUNTERTOPS AT WET LOCATIONS, INCLUDING BREAK ROOM AND KAM ROOMS SINKS, TO BE A MINIMUM OF 1 1/2" PLYWOOD.

ALL COUNTERTOPS WILL BE 24" DEEP, UNLESS NOTED OTHERWISE. TYPICAL BASE CABINETS, UNLESS NOTED OTHERWISE, WILL HAVE A 1/2" HIGH BY 2" DEEP TOE KICK, AND 4" TALL BACK SPLASH. ALL CABINETS WILL HAVE A MINIMUM OF A 1" WIDE SPACER BETWEEN CABINET AND ADJACENT WALLS. ALL UPPER CABINETS WILL BE 16" TALL, UNLESS NOTED OTHERWISE.

ALL TYPICAL BASE CABINETS AND UPPER CABINETS TO RECEIVE ONE (1) 1" THICK MELAMINE CLAD ADJUSTABLE SHELF PER CABINET SECTION.

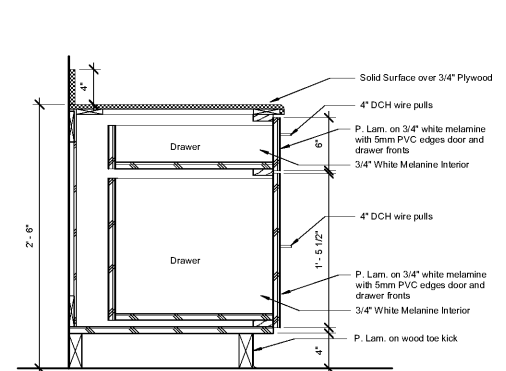
GENERAL HARDWARE:
UNLESS OTHERWISE DIRECTED BY OWNER OR INTERIOR DESIGNER, PROVIDE THREE (3) HEAVY COMMERCIAL RATED FULLY ADJUSTABLE "EUROPEAN" FULL ACCESSORY KICKS PER DOOR. PROVIDE ONE (1) PAIR OF HEAVY COMMERCIAL RATED FULL EXTENSION SLIDES PER DRAWER. PROVIDE TWO (2) FULL ACCESSORY METAL STANDARDS WITH ASSOCIATED METAL BRACKETS EACH SIDE OF CABINET TO SUPPORT ADJUSTABLE SHELVING.

PROVIDE ONE (1) TYPICAL METAL 4" WIDE METAL "WIREFRAME" PULLS FOR EACH DOOR AND DRAWER. PROVIDE TYPICAL CABINET KEYS LOCK FOR EACH DRAWER AND UPPER CABINET DOOR.

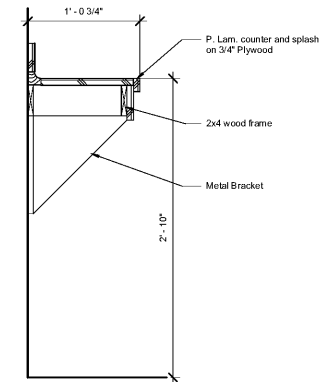
GENERAL FINISHES:
UNLESS OTHERWISE DIRECTED BY OWNER, INTERIOR DESIGNER OR SHOWN ON INTERIOR ELEVATIONS, ALL TYPICAL SURFACES EXPOSED TO VIEW WILL RECEIVE PLASTIC LAMINATE FINISHES AS SCHEDULED. RECEPTION DESK, NURSES DESK, AND DOCTOR'S STATION COUNTERTOPS FINISH WILL BE SCHEDULED BY INTERIOR DESIGNER. ALL INTERIOR SURFACES WILL RECEIVE MELAMINE LAMINATE. PROVIDE 2.5MM PVC EDGE BANDING FOR ALL DOORS AND DRAWERS.

UNLESS OTHERWISE DIRECTED BY OWNER OR INTERIOR DESIGNER OR SHOWN ON INTERIOR ELEVATIONS, TYPICAL REVEALS WILL BE 1/2" WIDE. RECEPTION DESK, NURSES DESK, AND DOCTOR'S STATION REVEALS WILL BE 1/8" WIDE. ALL REVEALS WILL BE PAINTED BLACK. REFER TO INTERIOR ELEVATIONS FOR LOCATION OF REVEALS.

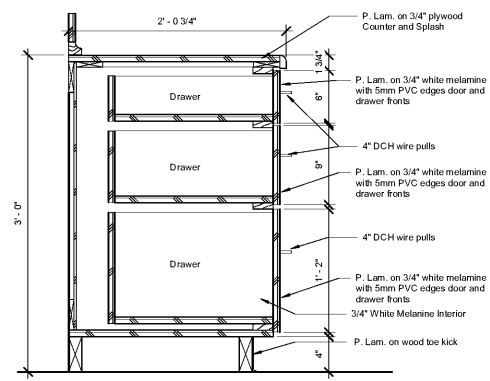
TYPICAL FACE OF COUNTERTOPS WILL BE 1 1/2" THICK. RECEPTION DESK, NURSES DESK, AND DOCTOR'S STATION FACE OF COUNTERTOPS WILL BE 2 1/2" WIDE. REFER TO INTERIOR ELEVATIONS.



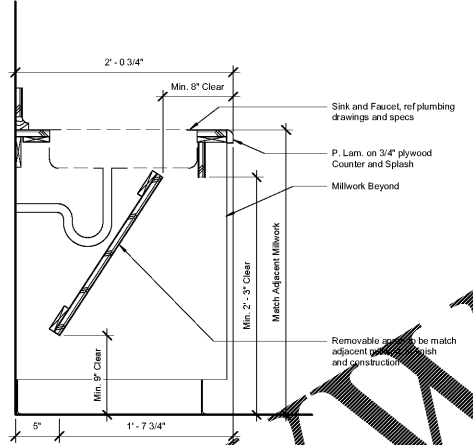
9 Millwork Section
SCALE: 1 1/2" = 1'-0"



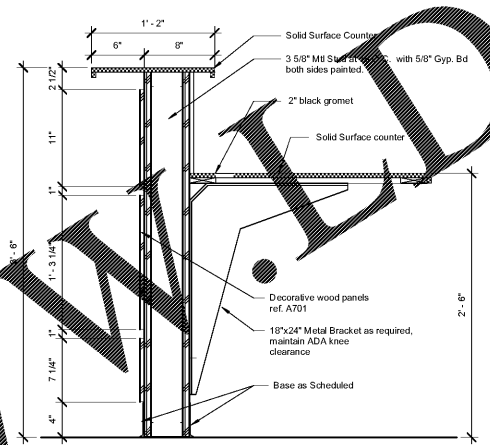
8 Millwork Section
SCALE: 1 1/2" = 1'-0"



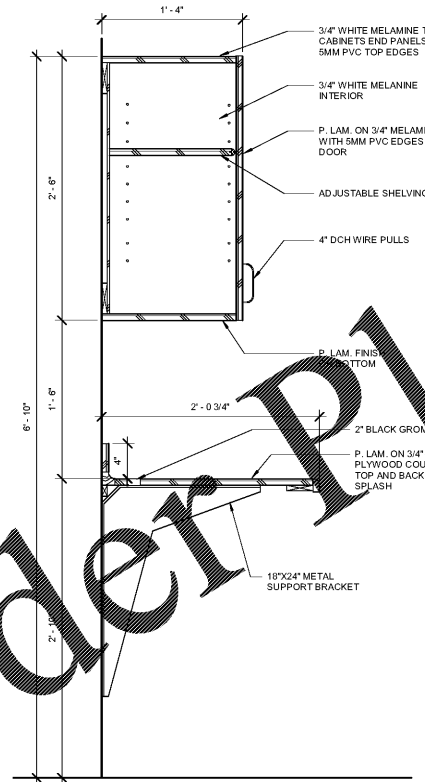
7 Millwork Section
SCALE: 1 1/2" = 1'-0"



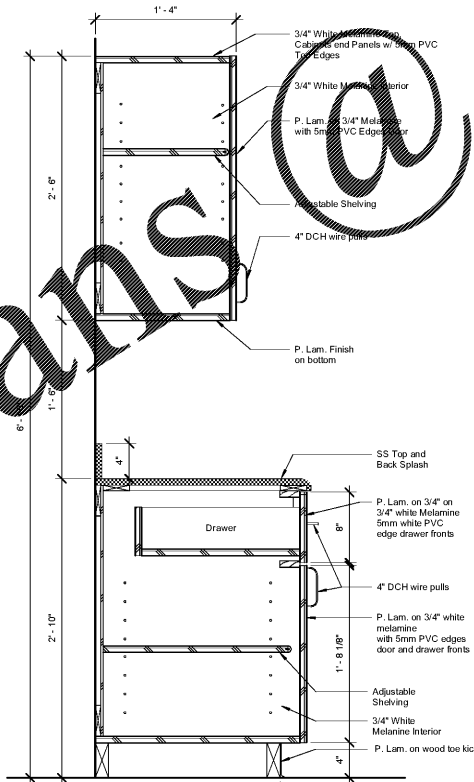
6 Millwork Section
SCALE: 1 1/2" = 1'-0"



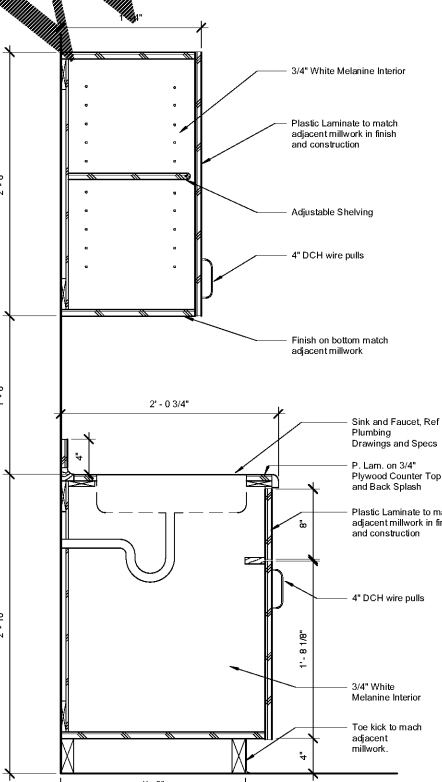
5 Millwork Section
SCALE: 1 1/2" = 1'-0"



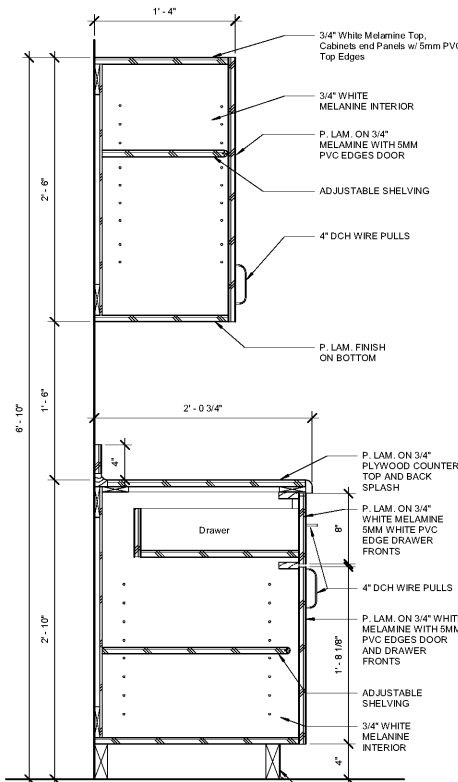
4 Millwork Section
SCALE: 1 1/2" = 1'-0"



3 Millwork Section
SCALE: 1 1/2" = 1'-0"



2 Millwork Section
SCALE: 1 1/2" = 1'-0"



1 Millwork Section
SCALE: 1 1/2" = 1'-0"

Order Plans

Prairieville General Hospital
37358 Market Place Dr.
Prairieville, LA 70769

CONSTRUCTION REISSUE SET

Shawn Kesteron and Associates
Robert C. Murray, AIA
Architecture & Construction Services
13430 Brandeis Blvd, Suite 202
Metairie, LA 70001
Ph: 214.945.5116
Email: S.K.A. @ shawnkesteron.com



Project No. 1607050
Drawn: KRF
Checked: SK
Date: 11.22.17

No.	Description	Date

A801
Millwork
Sections