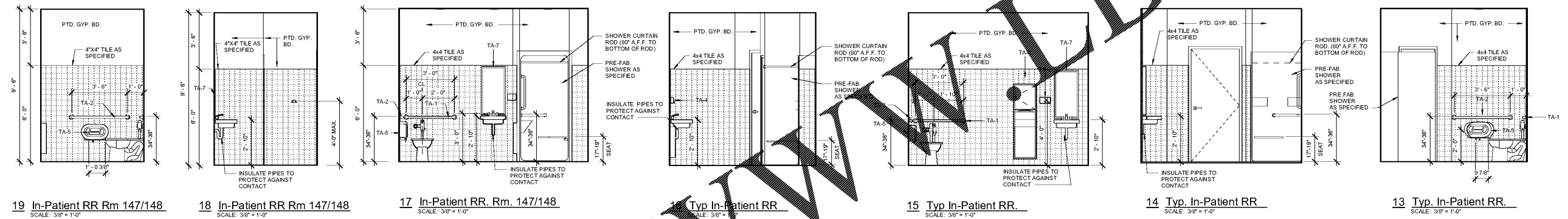
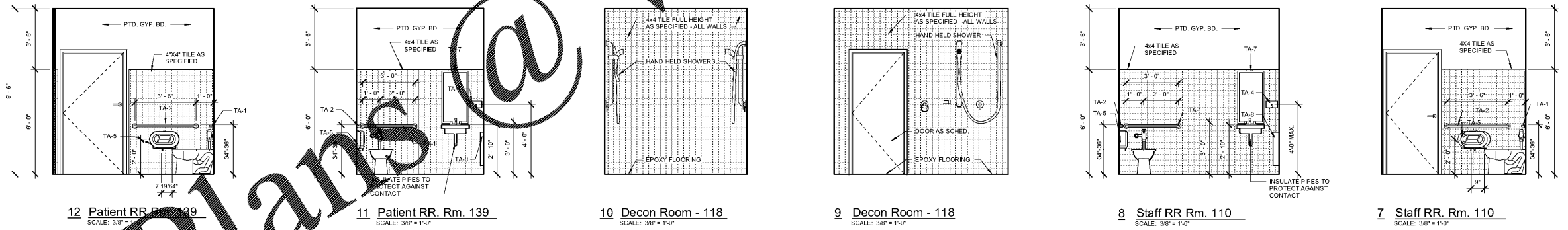


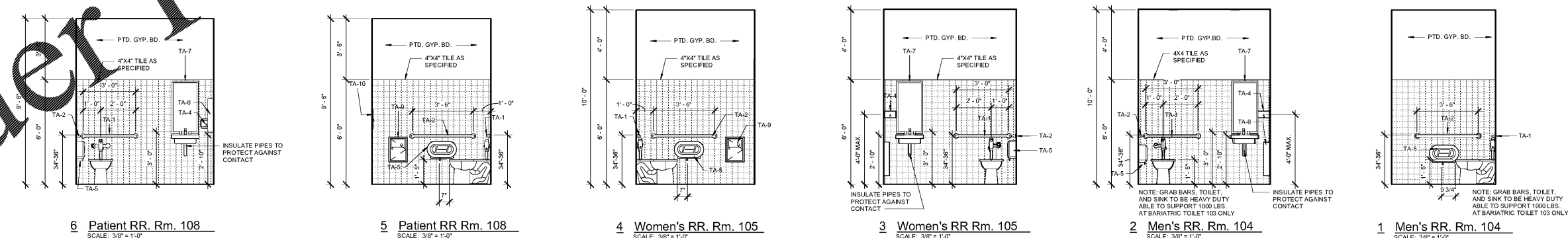
TOILET ACCESSORY (TA) SCHEDULE					
MARK	DESCRIPTION	MANUF.	MODEL #	MOUNTING HEIGHT	COMMENTS
TA-1	Grab Bars	Bradley Corporation	8120-001360	SEE SHEET A001	
TA-2	Grab Bars	Bradley Corporation	8122-001480	SEE SHEET A001	
TA-3	Bobrick B-672 Double Robe Hook	Bobrick Washroom Equipment, Inc.	B-672	SEE SHEET A001	
TA-4	Bobrick B-2112 Classic Series Surface Mounted Soap Dispenser	Bobrick Washroom Equipment, Inc.	B-2112	SEE SHEET A001	
TA-5	Bobrick B-2892 Classic Series Surface Mounted Twin Jumbo-Roll Toilet Tissue Dispenser	Bobrick Washroom Equipment, Inc.	B-2892	SEE SHEET A001	
TA-7	Framed Mirror - 18"X36"	Bobrick Washroom Equipment, Inc.	B-165-1836	SEE SHEET A001	
TA-8	Bobrick B-3944 Classic Series Recessed Convertible Combination Towel and Waste Unit	Bobrick Washroom Equipment, Inc.	B-3944	SEE SHEET A001	
TA-9	Bobrick B-353 Recessed Sanitary Wipe Disposal	Bobrick Washroom Equipment, Inc.	B-353	SEE SHEET A001	
TA-10	Bobrick Recessed Specimen Pass-Through Cabinet	Bobrick	B-50516	SEE SHEET A001	



19 In-Patient RR Rm 147/148 SCALE: 3/8" = 1'-0"
 18 In-Patient RR Rm 147/148 SCALE: 3/8" = 1'-0"
 17 In-Patient RR Rm. 147/148 SCALE: 3/8" = 1'-0"
 16 Typ In-Patient RR SCALE: 3/8" = 1'-0"
 15 Typ In-Patient RR SCALE: 3/8" = 1'-0"
 14 Typ In-Patient RR SCALE: 3/8" = 1'-0"
 13 Typ In-Patient RR SCALE: 3/8" = 1'-0"



12 Patient RR Rm. 109 SCALE: 3/8" = 1'-0"
 11 Patient RR Rm. 139 SCALE: 3/8" = 1'-0"
 10 Decon Room - 118 SCALE: 3/8" = 1'-0"
 9 Decon Room - 118 SCALE: 3/8" = 1'-0"
 8 Staff RR Rm. 110 SCALE: 3/8" = 1'-0"
 7 Staff RR Rm. 110 SCALE: 3/8" = 1'-0"



6 Patient RR Rm. 108 SCALE: 3/8" = 1'-0"
 5 Patient RR Rm. 108 SCALE: 3/8" = 1'-0"
 4 Women's RR Rm. 105 SCALE: 3/8" = 1'-0"
 3 Women's RR Rm. 105 SCALE: 3/8" = 1'-0"
 2 Men's RR Rm. 104 SCALE: 3/8" = 1'-0"
 1 Men's RR Rm. 104 SCALE: 3/8" = 1'-0"

Order Plans @ WWW.MEDLINE.COM

FFPAIR STUDIO
 1100 BOBBEL AVENUE SUITE H1
 BAYON ROUGE, LA 70009
 TEL: 504.833.7406



Prairieville General Hospital
 37358 Market Place Dr.
 Prairieville, LA 70769

Shawn Kester and Associates
 Robert C. Murray, AIA
 Architecture & Construction Services
 13430 Brandegee Rd., Ste. 202
 Metairie, LA 70002
 Tel: 214.945.5116
 Fax: 214.945.5116
 Email: S.K.A. @ shawnkester.com



Project No.	1607050	
Drawn:	VS	
Checked:	SK	
Date:	11.22.17	
No.	Description	Date

A703
 Interior Elevations

CONSTRUCTION REISSUE SET