



Prairieville General Hospital
37358 Market Place Dr.
Prairieville, LA 70769

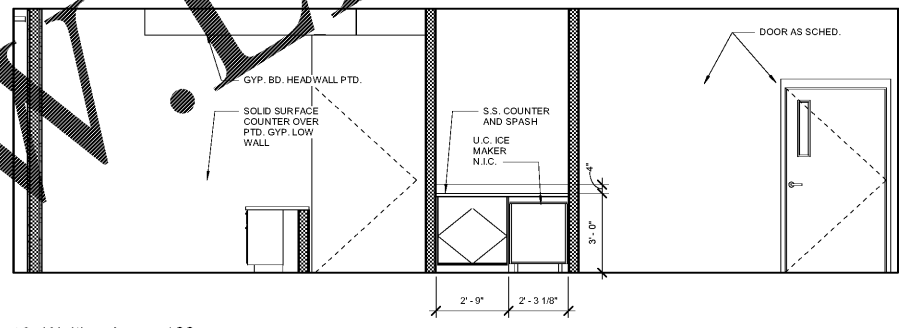
Shawn Kesteron and Associates
Robert C. Murray, AIA
Architecture & Construction Services
13430 Brandegee Blvd., Suite 202
Houston, TX 77040
Tel: 281.945.5116
Fax: 281.945.5116
Email: SCA@shawnkesteron.com



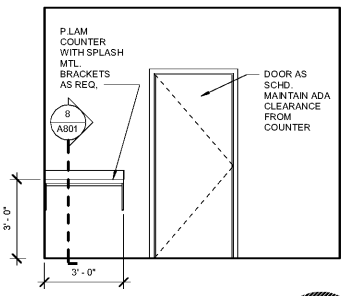
Project No.	1607050	
Drawn:	KRF	
Checked:	SK	
Date:	11.22.17	
No.	Description	Date

A702
Interior Elevations

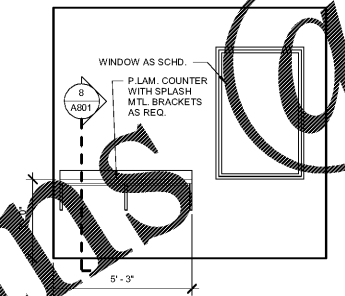
CONSTRUCTION REISSUE SET



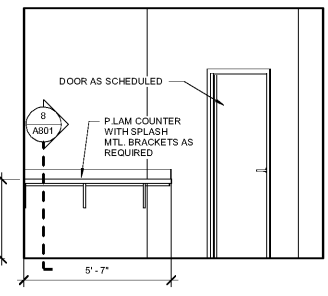
10 Waiting Area - 100
SCALE: 3/8" = 1'-0"



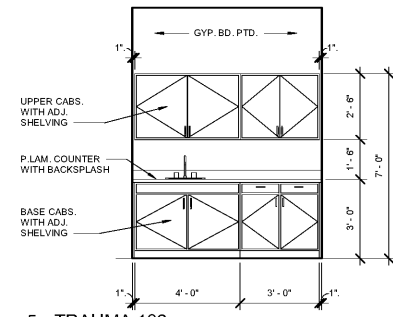
9 Patient Room Writing Counter - 146
SCALE: 3/8" = 1'-0"



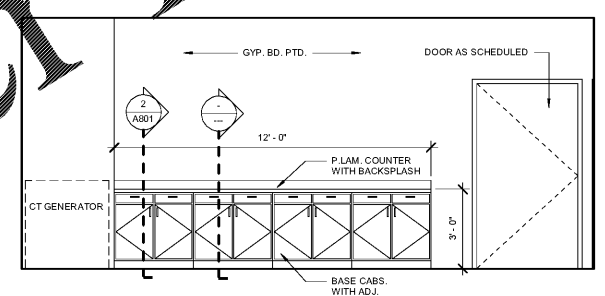
Patient Room Writing Counter - 149
SCALE: 3/8" = 1'-0"



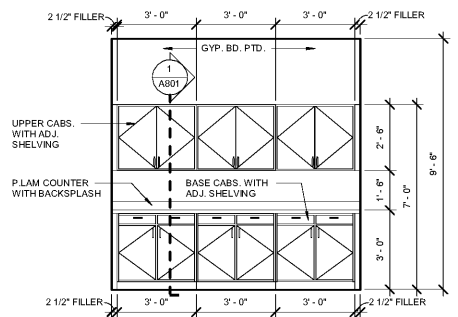
7 Typical Patient Room Writing Counter
SCALE: 3/8" = 1'-0"



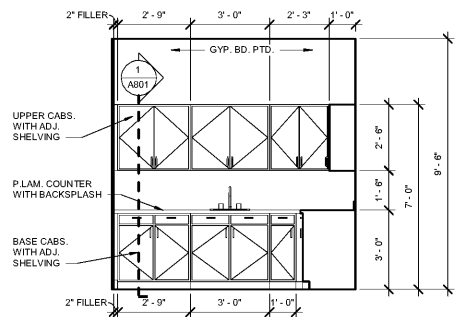
5 TRAUMA 162
SCALE: 3/8" = 1'-0"



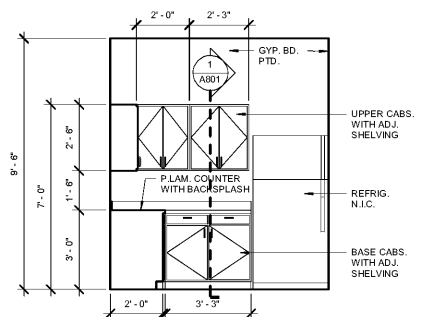
4 CT Scan 132
SCALE: 3/8" = 1'-0"



3 Tech. 137
SCALE: 3/8" = 1'-0"



2 Med. Room 164
SCALE: 3/8" = 1'-0"



1 Med. Room 164
SCALE: 3/8" = 1'-0"

Order Plans @

WWW.LDILine.COM