

FFPAIR STUDIO  
1100 PAUL ROBELL AVENUE SUITE H1  
BAYON ROUGE, LA 70009  
713.277.7406



**Prairieville General Hospital**  
37358 Market Place Dr.  
Prairieville, LA 70769

Shawn Kesteron and Associates  
Robert C. Murray, AIA  
Architecture & Construction Services  
13430 Brandeis Blvd., Suite 202  
Metairie, LA 70002  
Ph: 214.945.5716  
Fax: 504.885.8414  
Email: SCA@shawnkesteron.com



Project No. 1607050

Drawn: \_\_\_\_\_ Author: \_\_\_\_\_

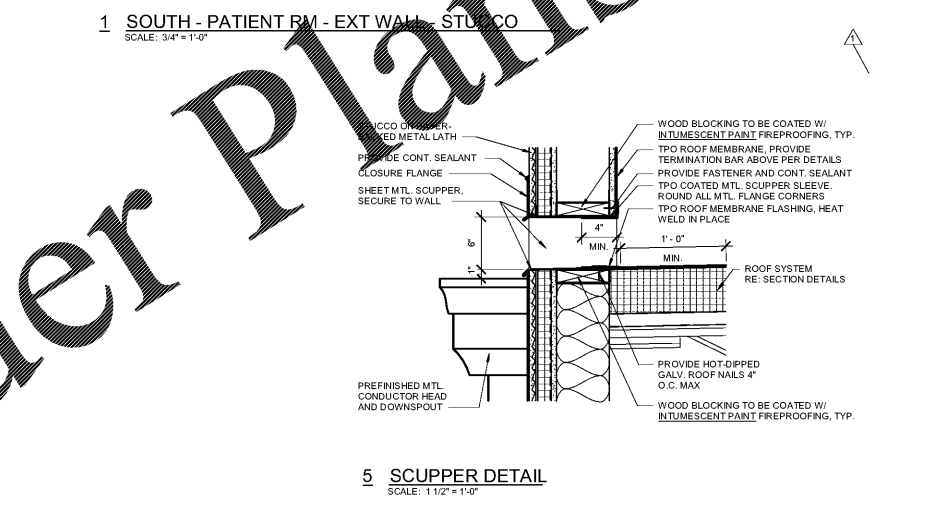
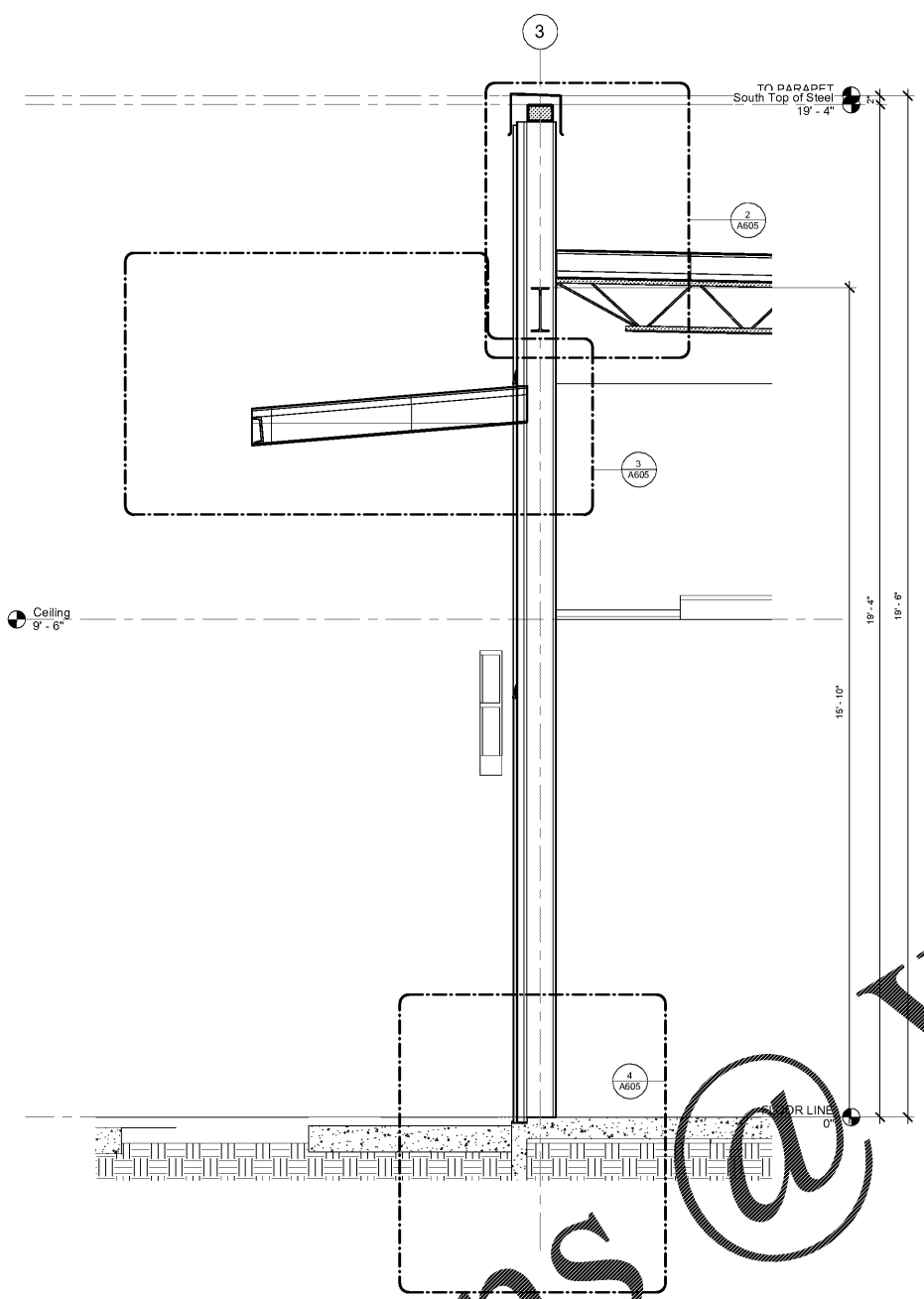
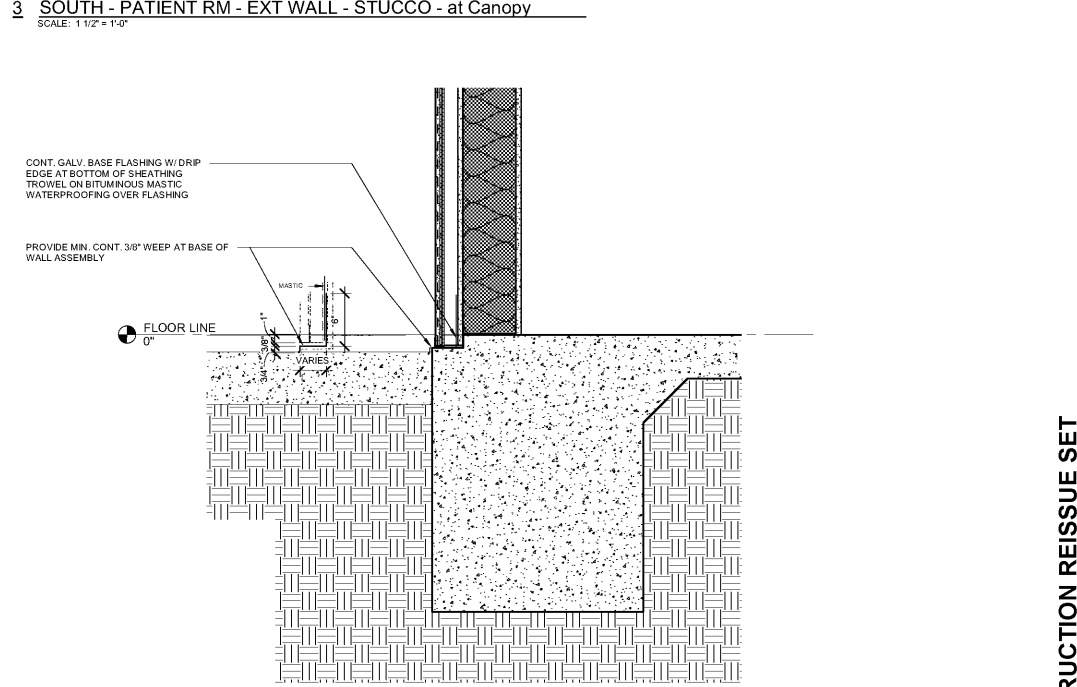
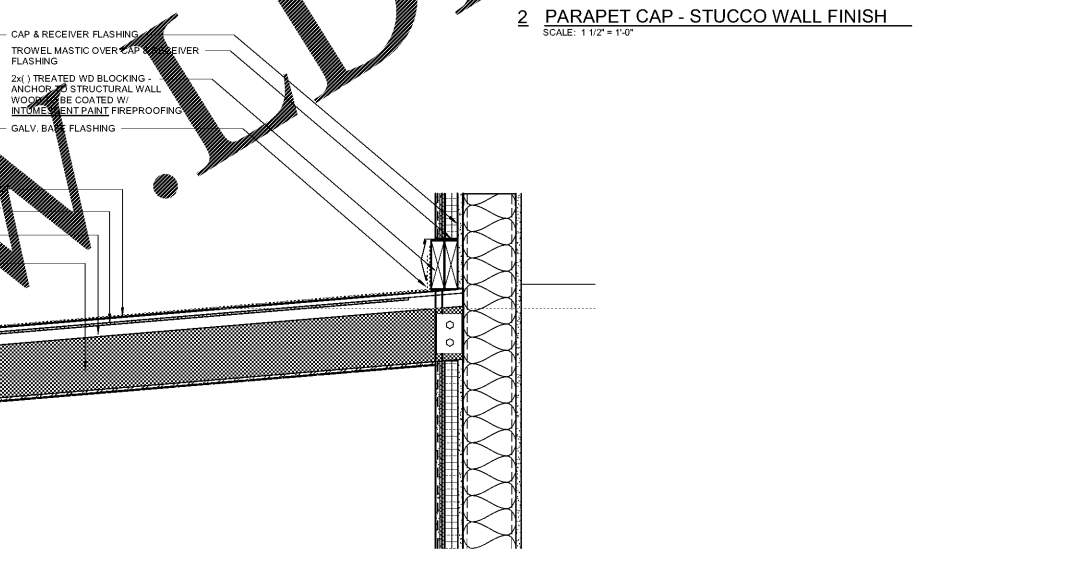
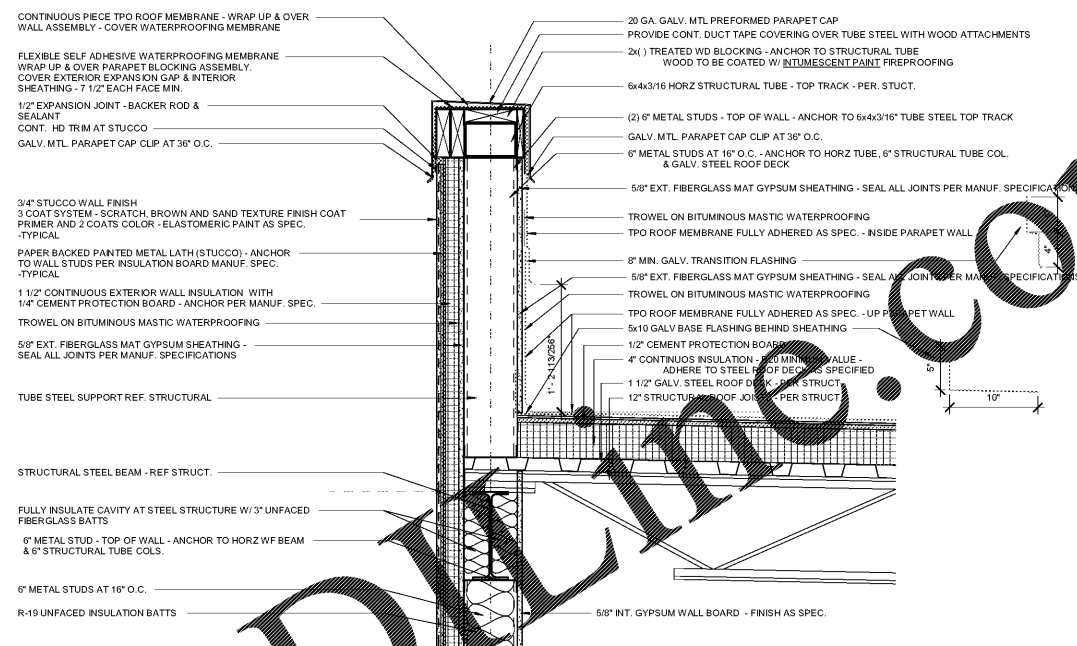
Checked: \_\_\_\_\_

Date: 11.22.17

No.	Description	Date
1	Addendum 1	Jan. 13

**A605**  
Section Details

CONSTRUCTION REISSUE SET



Order Plans @

WWW.LDDELINING.COM