

FFPAIR STUDIO
JEFF PAUL
1400 BELL AVE. SUITE H1
BAYON ROUGE, LA 70069



Prairieville General Hospital
37358 Market Place Dr.
Prairieville, LA 70769

Shawn Kesteron and Associates
Robert C. Murray, AIA
Architecture & Construction Services
13430 Brandeis Ln., Ste. 202
Metairie, LA 70001
Ph: 214.945.5116
Fax: 504.885.8888
Email: SKA@shawnkesteron.com

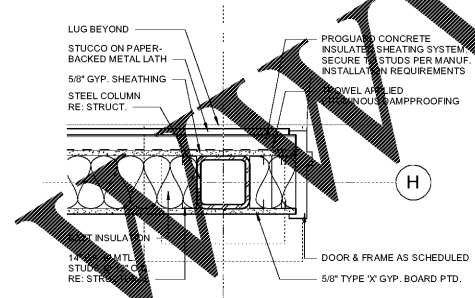


Project No.	1607050	
Drawn:	AN	
Checked:	SK	
Date:	11.22.17	
No.	Description	Date

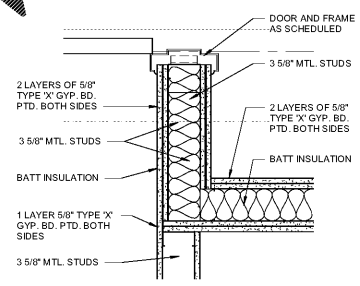
CONSTRUCTION REISSUE SET

A221
Plan Details

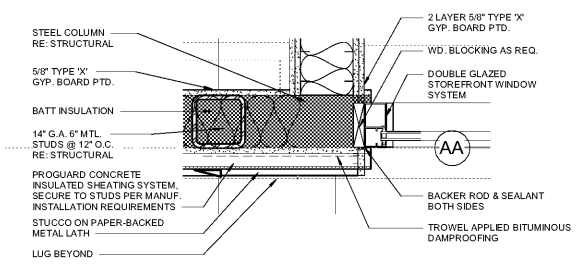
Order Plans @



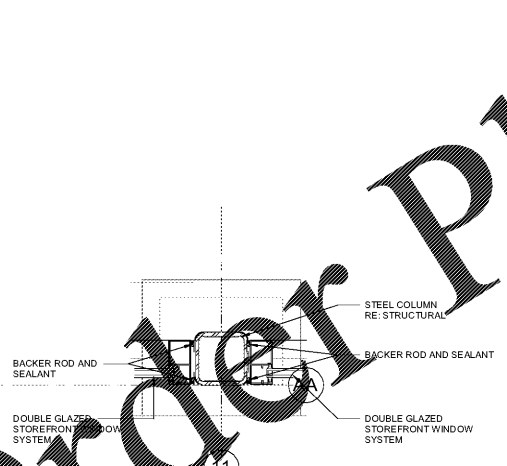
8 Plan Detail
SCALE: 1 1/2" = 1'-0"



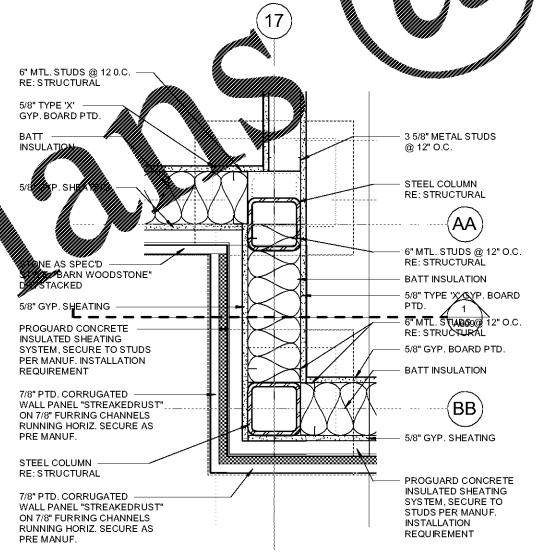
7 Plan Detail
SCALE: 1 1/2" = 1'-0"



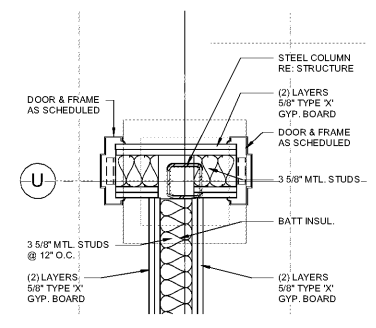
6 Plan Detail
SCALE: 1 1/2" = 1'-0"



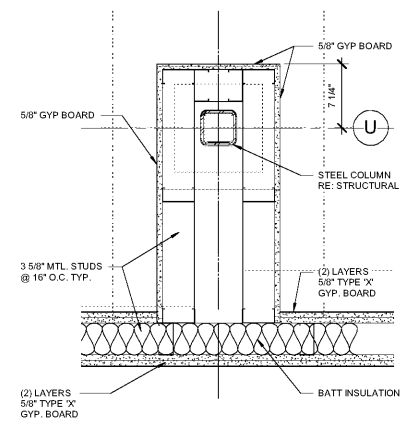
5 Plan Detail
SCALE: 1 1/2" = 1'-0"



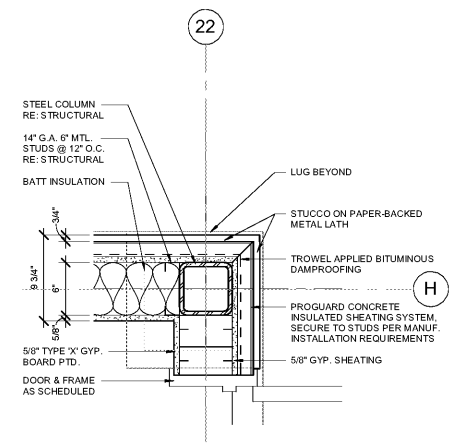
4 Plan Detail
SCALE: 1 1/2" = 1'-0"



3 Plan Detail
SCALE: 1 1/2" = 1'-0"



2 Plan Detail
SCALE: 1 1/2" = 1'-0"



1 Plan Detail
SCALE: 1 1/2" = 1'-0"

WWW.LDILine.com