

FFPAIR STUDIO  
JEFF PAUL  
1100 BELL AVE SUITE H1  
BAYON ROUGE, LA 70009  
713.746.7406



**Prairieville General Hospital**  
37358 Market Place Dr.  
Prairieville, LA 70769

Shawn Kesteven and Associates  
Robert C. Murray, AIA  
Architecture & Construction Services  
13440 Brandeis Blvd., Suite 202  
Metairie, LA 70002  
Ph: 214.945.5116  
Fax: 504.885.8888  
Email: SCA@shawnke.com



Project No. 1607050

Drawn: \_\_\_\_\_ Author: \_\_\_\_\_  
Checked: \_\_\_\_\_

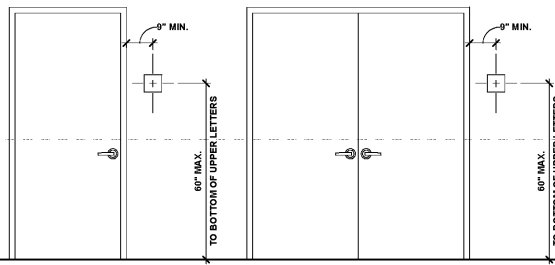
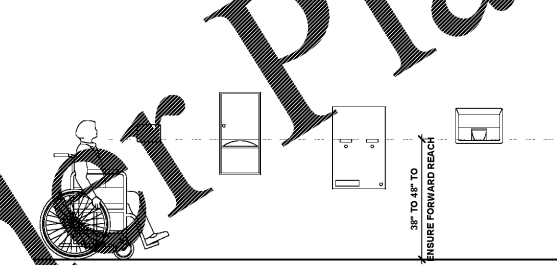
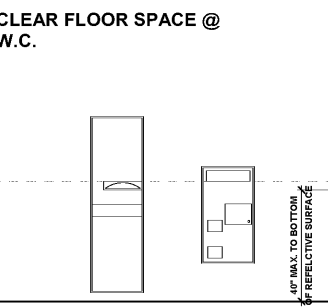
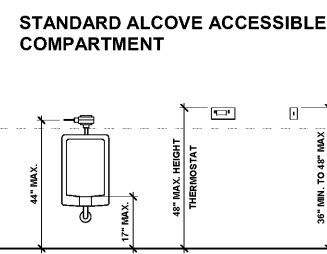
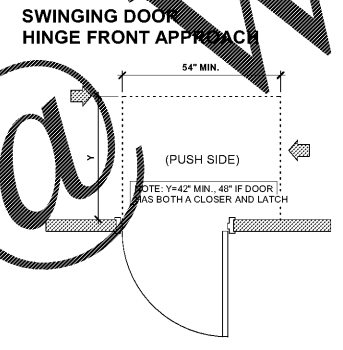
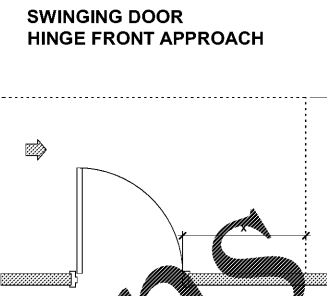
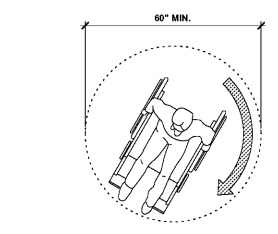
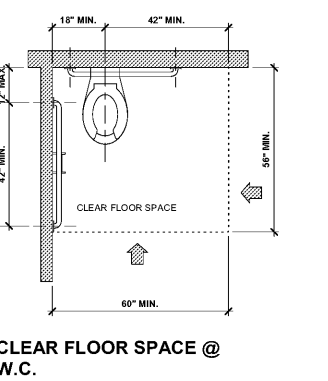
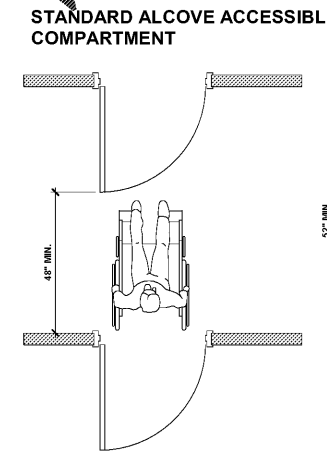
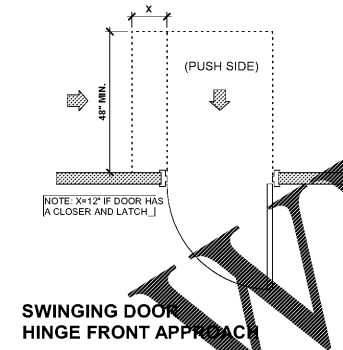
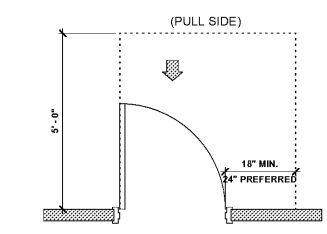
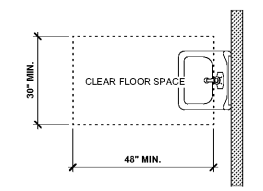
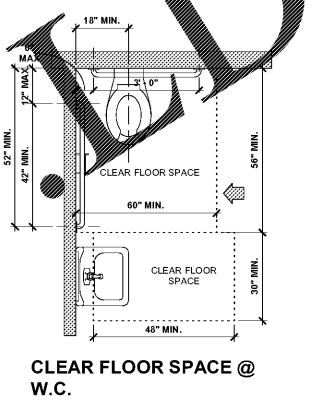
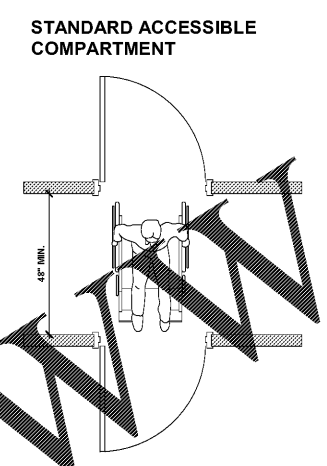
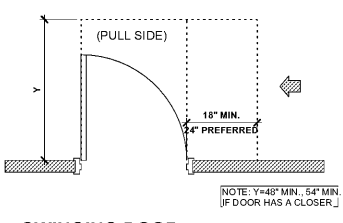
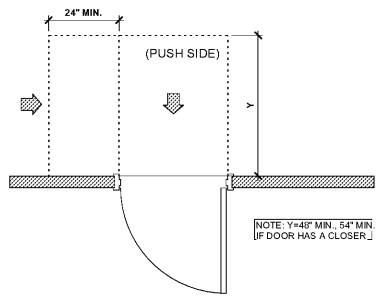
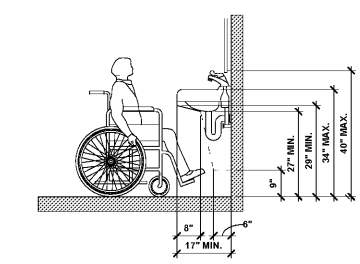
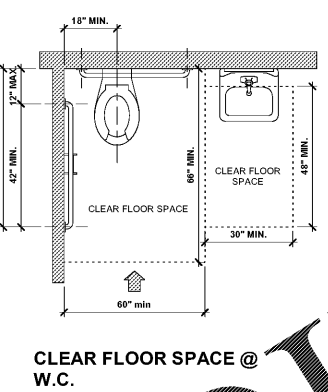
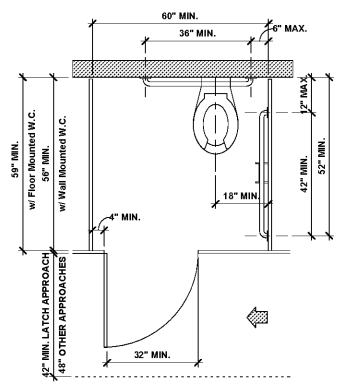
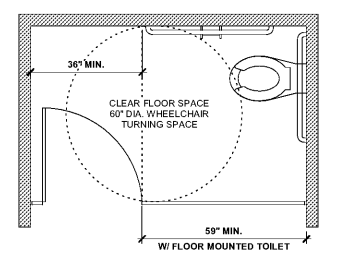
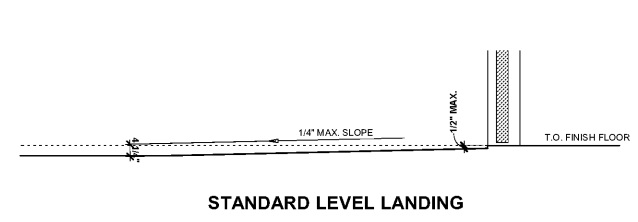
Date: 11.22.17

No.	Description	Date

**G001**  
ADA Reference

**ACCESSIBILITY NOTES**

1. CONTRACTOR TO COMPLY WITH LOUISIANA ADOPTION OF THE AMERICANS WITH DISABILITIES ACT AND ARCHITECTURAL BARRIERS ACT ACCESSIBILITY GUIDELINES, SEPTEMBER 10, 2010.
2. ANY DEVIATIONS FOUND IN THE CONTRACT DOCUMENTS FROM THESE STANDARDS SHALL BE BROUGHT TO THE ARCHITECT'S ATTENTION PRIOR TO COMMENCING WORK.
3. SPECIFIC ACCESSIBILITY ISSUES MUST BE ADDRESSED IN DETAILS THROUGHOUT CONTRACT DOCUMENTS.
4. FIRE EXTINGUISHERS HAVING A GROSS WEIGHT NOT EXCEEDING 40lbs SHALL BE INSTALLED TO THE REAR TOP OF THE FIRE EXTINGUISHER IS NOT MORE THAN 66" ABOVE THE FLOOR. FIRE EXTINGUISHERS HAVING A GROSS WEIGHT GREATER THAN 40lbs (WHEELED TYPES) SHALL BE SO INSTALLED THAT THE TOP OF THE EXTINGUISHER IS NOT MORE THAN 42" ABOVE THE FLOOR. IN NO CASE SHALL THE CLEARANCE BETWEEN THE BOTTOM OF THE EXTINGUISHER AND THE FLOOR BE LESS THAN 4".



MOUNTING LOCATION AND HEIGHT FOR ADA HANDICAP ACCESSIBLE INTERIOR SIGNS:  
SIGNS SHALL BE INSTALLED ON THE WALL ADJACENT TO THE LATCH SIDE OF THE DOOR. MOUNTING HEIGHT SHALL BE 60 INCHES ABOVE THE FINISH FLOOR TO THE CENTERLINE OF THE SIGN. PROVIDE ADA SIGNAGE FOR RESTROOMS AND ALL EXITS. PROVIDE ADDITIONAL SIGNAGE WHERE REQUIRED. ALL SIGNAGE SHALL HAVE WHITE LETTERING ON BLACK BACKGROUND. RE: SIGNAGE SPECIFICATIONS FOR FURTHER INFORMATION.

Order Plans @ WWW.ArchLine.com

CONSTRUCTION REISSUE SET