

N10CEC														
MAIN TYPE: MCB		VOLTAGE: 120/208 WYE		LOCATION: 1ST FLOOR ELEC ROOM		3 PHASE		4 WIRE		FEB FROM: TBD		SCGR: TBD		
MAIN RATING: 100A		MOUNTING SURFACE: TYPE 1		ENCLOSURE: TYPE 1		CALCULATED AVAILABLE FAULT CURRENT: TBD		KVA: TBD		KVA: TBD		KVA: TBD		
REMARKS: EXISTING CRITICAL POWER PANEL. AVAILABLE EXISTING CIRCUIT BREAKERS ARE TO BE USED FOR PHARMACY CLEANROOM.														
DESCRIPTION	BRKR AMP. POLES	DKT NO	A	B	C	A	B	C	DKT NO	BRKR AMP. POLES	BRKR NOES	DESCRIPTION	BRKR AMP. POLES	
EXISTING - 1ST FLOOR CIRCUIT	20	1	1						2	1	20	STAFF LOUNGE - REFRIG	20	
EXISTING - 1ST FLOOR CIRCUIT	20	1	3						4	1	20	TO BE DETERMINED - UNSCHEDULED	20	
EXISTING - 1ST FLOOR CIRCUIT	20	1	5						6	1	20	EXISTING - 1ST FLOOR CIRCUIT	20	
TO BE DETERMINED - UNSCHEDULED	20	1	7						8	1	20	EXISTING - 1ST FLOOR CIRCUIT	20	
TO BE DETERMINED - UNSCHEDULED	20	1	9						10	1	20	EXISTING - OTHER CIRCUIT	20	
EXISTING - OTHER CIRCUIT	30	2	11						12	1	20	EXISTING - 1ST FLOOR CIRCUIT	20	
EXISTING - OTHER CIRCUIT	30	2	13						14	1	20	EXISTING - 1ST FLOOR CIRCUIT	20	
TO BE DETERMINED - UNSCHEDULED	20	1	15						16	1	20	EXISTING - 1ST FLOOR CIRCUIT	20	
TO BE DETERMINED - UNSCHEDULED	20	1	17						18	1	20	EXISTING - 1ST FLOOR CIRCUIT	20	
CHAMO BUFFER - RECEPS	20	1	19						20	1	20	CHAMO BUFFER - RECEPS	20	
EXISTING - OTHER CIRCUIT	20	1	21						22	1	20	CHAMO BUFFER - RECEPS	20	
EXISTING - OTHER CIRCUIT	20	1	23						24	1	20	EXISTING - OTHER CIRCUIT	20	
EXISTING - OTHER CIRCUIT	20	1	25						26	1	20	EXISTING - OTHER CIRCUIT	20	
EXISTING - OTHER CIRCUIT	20	1	27						28	1	20	EXISTING - OTHER CIRCUIT	20	
TO BE DETERMINED - UNSCHEDULED	20	1	29						30	1	20	EXISTING - OTHER CIRCUIT	20	
TO BE DETERMINED - UNSCHEDULED	20	1	31						32	1	20	EXISTING MAIN CBKR	20	
TO BE DETERMINED - UNSCHEDULED	20	1	33						34	1	20	EXISTING MAIN CBKR	20	
TO BE DETERMINED - UNSCHEDULED	20	1	35						36	1	20	EXISTING MAIN CBKR	20	
TOTAL PHASE SUMMARY														
PHASE SUBTOTAL (KVA)			A	B	C	PHASE SUBTOTAL (AMPS)			A	B	C			
PHASE SUBTOTAL (KVA)			0.0	0.0	0.0	PHASE SUBTOTAL (AMPS)			0	0	0			

NBEEQ														
MAIN TYPE: MCB		VOLTAGE: 120/208 WYE		LOCATION: BASEMENT MECHANICAL ROOM		3 PHASE		4 WIRE		FEB FROM: TBD		SCGR: TBD		
MAIN RATING: 250A		MOUNTING SURFACE: TYPE 1		ENCLOSURE: TYPE 1		CALCULATED AVAILABLE FAULT CURRENT: TBD		KVA: TBD		KVA: TBD		KVA: TBD		
REMARKS: EXISTING EQUIPMENT BRANCH POWER PANEL. EXISTING EXHAUST FAN BREAKERS AND SPARE BREAKERS WILL BE USED OR REPLACED FOR NEW EXHAUST FANS.														
DESCRIPTION	BRKR AMP. POLES	DKT NO	A	B	C	A	B	C	DKT NO	BRKR AMP. POLES	BRKR NOES	DESCRIPTION	BRKR AMP. POLES	
TEEF-2	20	1	1						2	1	20	TEEF-2	20	
TEEF-3	20	1	3						4	1	20	TEEF-3	20	
SPARE	30	3	5						6	3	60	SPARE	30	
SPARE	30	3	9						10	3	60	SPARE	30	
SPARE	30	3	11						12	3	60	SPARE	30	
SPARE	60	3	13						14	3	60	T-AHU-6A	60	
SPARE	30	3	15						16	3	60	T-AHU-6A	60	
SPARE	30	3	17						18	3	60	T-AHU-6A	60	
SPARE	60	3	19						20	3	60	SPARE	60	
SPARE	30	3	21						22	3	60	SPARE	30	
SPARE	30	3	23						24	3	60	SPARE	30	
EXISTING - BSMENT CIRCUIT	20	1	25						26	1	20	EXISTING - OTHER CIRCUIT	20	
EXISTING - BSMENT CIRCUIT	20	1	27						28	1	20	EXISTING - OTHER CIRCUIT	20	
EXISTING - BSMENT CIRCUIT	20	1	29						30	1	20	EXISTING - OTHER CIRCUIT	20	
EXISTING - BSMENT CIRCUIT	20	1	31						32	1	20	EXISTING - OTHER CIRCUIT	20	
AHU UV LVS	20	1	33						34	1	20	EXISTING - OTHER CIRCUIT	20	
HEAT TRACE	20	1	35						36	1	20	EXISTING - OTHER CIRCUIT	20	
SPARE	20	1	37						38	1	20	EXISTING - OTHER CIRCUIT	20	
SPARE	20	1	39						40	1	20	SPARE	20	
SPARE	20	1	41						42	1	20	SPARE	20	
TOTAL PHASE SUMMARY														
PHASE SUBTOTAL (KVA)			A	B	C	PHASE SUBTOTAL (AMPS)			A	B	C			
PHASE SUBTOTAL (KVA)			0.0	0.0	0.0	PHASE SUBTOTAL (AMPS)			0	0	0			

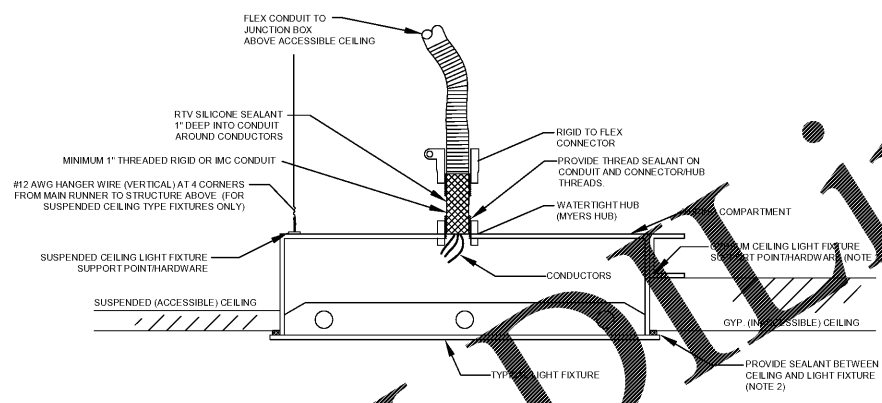
NBCEC														
MAIN TYPE: MCB		VOLTAGE: 120/208 WYE		LOCATION: BASEMENT SWITCHGEAR ROOM		3 PHASE		4 WIRE		FEB FROM: TBD		SCGR: TBD		
MAIN RATING: 100A		MOUNTING SURFACE: TYPE 1		ENCLOSURE: TYPE 1		CALCULATED AVAILABLE FAULT CURRENT: TBD		KVA: TBD		KVA: TBD		KVA: TBD		
REMARKS: EXISTING CRITICAL POWER PANEL. AVAILABLE EXISTING CIRCUIT BREAKERS ARE TO BE USED FOR PHARMACY CLEANROOM.														
DESCRIPTION	BRKR AMP. POLES	DKT NO	A	B	C	A	B	C	DKT NO	BRKR AMP. POLES	BRKR NOES	DESCRIPTION	BRKR AMP. POLES	
EXISTING - BASEMENT CIRCUIT	20	1	1						2	1	20	EXISTING - BASEMENT CIRCUIT	20	
EXISTING - BASEMENT CIRCUIT	20	1	3						4	1	20	EXISTING - BASEMENT CIRCUIT	20	
EXISTING - BASEMENT CIRCUIT	20	1	5						6	1	20	EXISTING - BASEMENT CIRCUIT	20	
EXISTING - BASEMENT CIRCUIT	20	1	7						8	1	20	EXISTING - BASEMENT CIRCUIT	20	
EXISTING - BASEMENT CIRCUIT	20	1	9						10	1	20	EXISTING - BASEMENT CIRCUIT	20	
EXISTING - BASEMENT CIRCUIT	20	1	11						12	1	20	EXISTING - BASEMENT CIRCUIT	20	
EXISTING - BASEMENT CIRCUIT	20	1	13						14	1	20	EXISTING - BASEMENT CIRCUIT	20	
EXISTING - OTHER CIRCUIT	20	1	15						16	1	20	EXISTING - BASEMENT CIRCUIT	20	
EXISTING - OTHER CIRCUIT	20	1	17						18	1	20	EXISTING - BASEMENT CIRCUIT	20	
EXISTING - OTHER CIRCUIT	20	1	19						20	1	20	EXISTING - BASEMENT CIRCUIT	20	
CHAMO BUFFER - REC	20	1	21						22	1	20	EXISTING - BASEMENT CIRCUIT	20	
CHAMO BUFFER - REC	20	1	23						24	1	20	EXISTING - BASEMENT CIRCUIT	20	
CHAMO BUFFER - REC	20	1	25						26	1	20	EXISTING - BASEMENT CIRCUIT	20	
CLEANRM - MONITORS	20	1	27						28	1	20	EXISTING - BASEMENT CIRCUIT	20	
CLEANRM - HEPA PASS THRU	20	1	29						30	1	20	EXISTING - BASEMENT CIRCUIT	20	
CLEANRM - DOORS	20	1	31						32	1	20	EXISTING MAIN CBKR	20	
CLEANRM - REFRIG	20	1	33						34	1	20	EXISTING MAIN CBKR	20	
CLEANRM - TEMP DISPLAY CAB	20	1	35						36	1	20	EXISTING MAIN CBKR	20	
TOTAL PHASE SUMMARY														
PHASE SUBTOTAL (KVA)			A	B	C	PHASE SUBTOTAL (AMPS)			A	B	C			
PHASE SUBTOTAL (KVA)			0.0	0.0	0.0	PHASE SUBTOTAL (AMPS)			0	0	0			

GENERAL NOTES

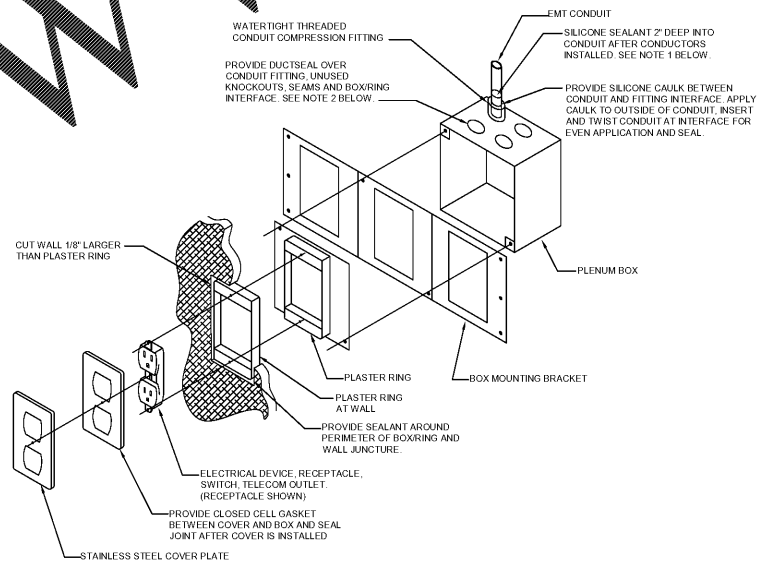
1. CONTRACTOR SHALL VERIFY EXISTING CONDITION OF PANELS AND CIRCUITS.

SHEET KEYNOTES

1. CLOUDED AREAS HIGHLIGHT NEW CIRCUITS TO BE ADDED TO EXISTING PANELS. REFER TO EXISTING CIRCUIT BREAKERS AFTER VERIFYING THAT NO EXISTING CIRCUITS CONNECTED TO THE CIRCUIT BREAKERS.



1 CLEANROOM RECESSED MOUNT LIGHT FIXTURE MOUNTING DETAIL



2 PLENUM ELECTRICAL BOX FOR CLEANROOM

Order Plans @ WWW.WDOnline.com

Revisions:	Date:

CONSULTANT

Consultant:

AEI Affiliated Engineers

5802 Research Park Boulevard
Madison, WI 53719
608.238.2616
aeieng.com

ARCHITECT/ENGINEER OF RECORD

AEI:

LA LACHIN Architects, apc

Architecture, Planning, Project Management
5190 Canal Boulevard, Suite 201
New Orleans, LA 70124
(504)835-8013

STAMP

Office of Construction and Facilities Management

VA U.S. Department of Veterans Affairs

Drawing Title: **ELECTRICAL DETAILS**

Phase: **CONSTRUCTION DOCUMENTS**

Approved: _____

Project Title: **RENOVATE PHARMACY CLEAN ROOM (USP 797)**

Location: **510 E. Stoner Ave. Shreveport, LA 71101**

Project Number: **667-17-108**

Building Number: **1**

Drawing Number: **E801**

Issue Date: **10/05/2017**

Checked: **RRK**

Drawn: **KJS**