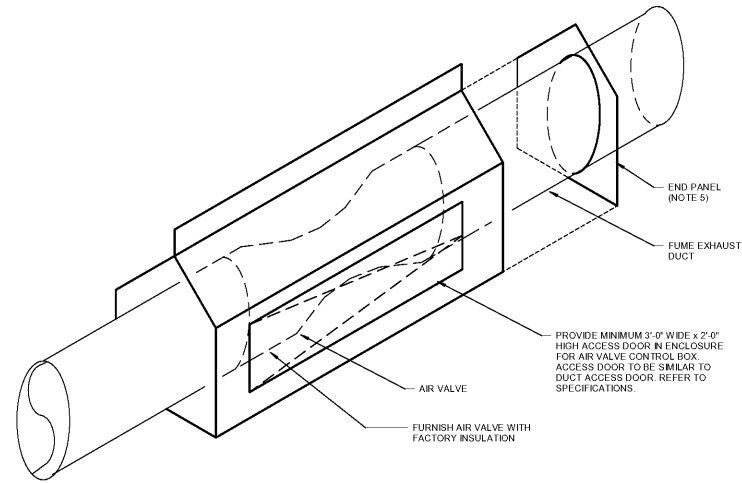


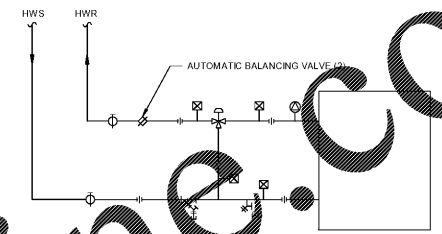
NOTES:
 (1) PROVIDE NECESSARY SUPPORTS FOR HUMIDIFIER
 (2) REFER TO SECTION 23 0902 FOR VALVE REQUIREMENT.

5 STEAM HUMIDIFIER PIPING
 NTS



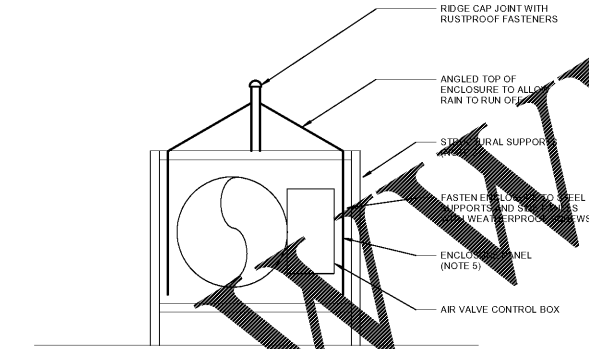
NOTES:
 (1) ACCESS DOOR FURNISHED WITH UNIT.
 (2) UNLESS OTHERWISE SHOWN, INCREASE INLET DUCT SIZE BY 2 INCHES IN DIAMETER IF RUNOUT IS LONGER THAN 8 FT.

3 AIR TERMINAL DEVICE
 NTS



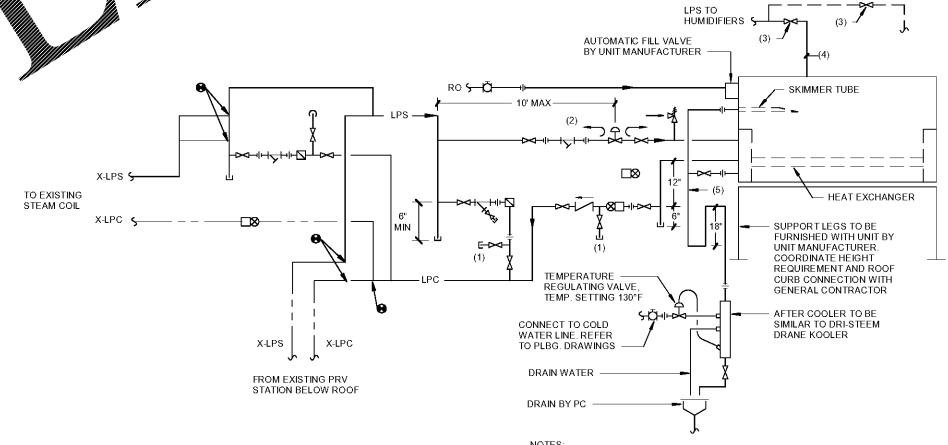
NOTES:
 (1) REFER TO SPECIFICATION SECTION 23 2113 FOR UNION REQUIREMENTS.
 (2) REFER TO SPECIFICATION SECTION 23 2113 FOR AUTOMATIC BALANCING VALVE INLET AND OUTLET PIPING REQUIREMENTS.
 (3) PROVIDE MEANS OF BYPASSING COIL CONTROL AND BALANCING VALVES DURING FLUSHING. REFER TO SPECIFICATION SECTION 23 2113.
 (4) DRAIN VALVE IS NOT REQUIRED IF STRAINER IS PIPED SO THAT ITS DRAIN VALVE SERVES AS COIL LOW POINT DRAIN.

1 HOT WATER REHEAT COIL PIPING (WITH 2-WAY CV)
 NTS



NOTES:
 (1) MECHANICAL CONTRACTOR TO PROVIDE AIR VALVE ENCLOSURE.
 (2) AIR VALVE SHALL BE COVERED AND PROTECTED FROM WEATHER AT TOP AND ALL SIDES.
 (3) AIR VALVE ENCLOSURE SHALL NOT BE SUPPORTED FROM DUCTWORK. USE SUPPORTS SIMILAR TO DUCT SUPPORTS SHOWN IN DETAIL 'F' - 1' ROUND DUCT ON ROOF.
 (4) ENCLOSURE SHALL ALLOW ACCESS TO VALVE CONTROL BOX AND AIR VALVE.
 (5) ENCLOSURE PANELS ARE TO BE MINIMUM 16 GA. GALVANIZED STEEL SHEET OR ALUMINUM SHEET.

4 AIR VALVE WEATHERPROOF ENCLOSURE
 NTS



NOTES:
 (1) TEST VALVE WITH 6" NIPPLE AND CAP. TEST VALVE TO BE LINE SIZE, BUT NOT LARGER THAN 1". LOCATE TEST VALVE AT SIDE OF PIPE.
 (2) MINIMUM PITCH 1/2" PER FOOT.
 (3) PROVIDE GATE VALVE WHERE TWO OR MORE STEAM GENERATORS ARE USED.
 (4) PIPE SIZE SHALL BE AS SHOWN ON PLAN, BUT NOT LESS THAN STEAM OUTLET SIZE OF STEAM GENERATOR.
 (5) PIPE SIZE AS RECOMMENDED BY UNIT MANUFACTURER, BUT NOT LESS THAN 1".
 (6) SUPPORT STAND HEIGHT PLUS ROOF CURB HEIGHT SHALL BE MINIMUM REQUIRED TO PROPERLY TRAP CONDENSATE AND INSTALL DRAIN AFTER COOLER.
 (7) COORDINATE SUPPORTS AND ROOF CURB WITH STEAM GENERATOR MANUFACTURER FURNISHED WEATHER PROOF ENCLOSURE.

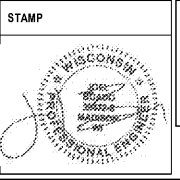
2 STEAM TO STEAM HUMIDIFIER PIPING
 NTS

Order Plans

Revisions:	Date:

CONSULTANT
 Consultant:
AEI Affiliated Engineers
 5802 Research Park Boulevard
 Madison, WI 53719
 608.238.2616
 aeieing.com

ARCHITECT/ENGINEER OF RECORD
 A/E:
LA LACHIN Architects, apc
 Architecture, Planning, Project Management
 5190 Canal Boulevard, Suite 201
 New Orleans, LA 70124
 (504)835-8013



Office of Construction and Facilities Management
 U.S. Department of Veterans Affairs

Drawing Title
MECHANICAL DETAILS
 Approved:

Phase
CONSTRUCTION DOCUMENTS

Project Title
RENOVATE PHARMACY CLEAN ROOM (USP 797)
 Location
 510 E. Stoner Ave. Shreveport, LA 71101
 Issue Date
 10/05/2017
 Checked
 KGF
 Drawn
 JBP

Project Number
 667-17-108
 Building Number
 1
 Drawing Number
M503