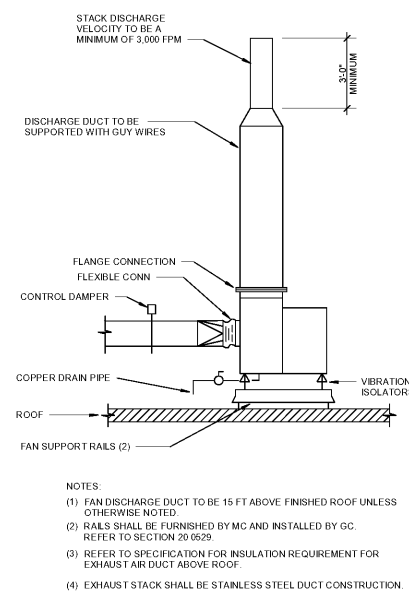
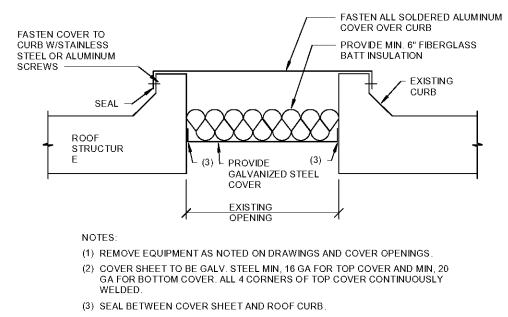


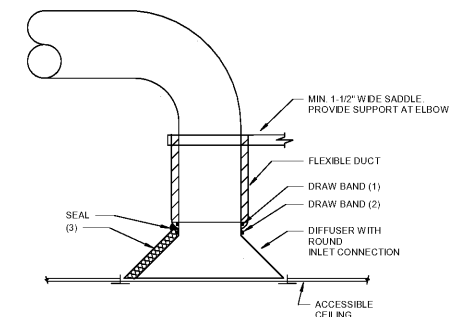
A  
B  
C  
D  
E  
F



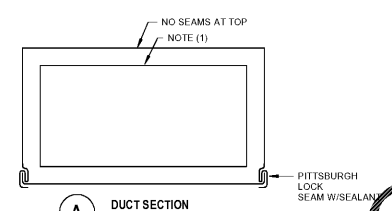
**7 ROOF MOUNTED EXHAUST FAN (VERTICAL DISCHARGE)**  
NTS



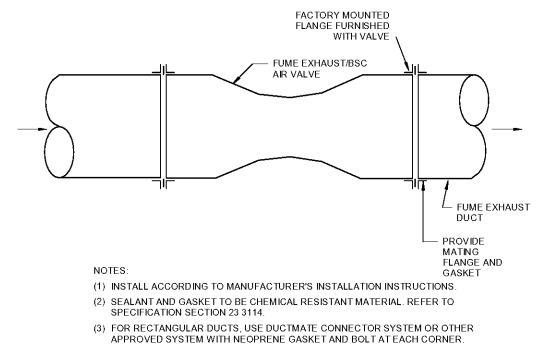
**5 ROOF CURB COVER**  
NTS



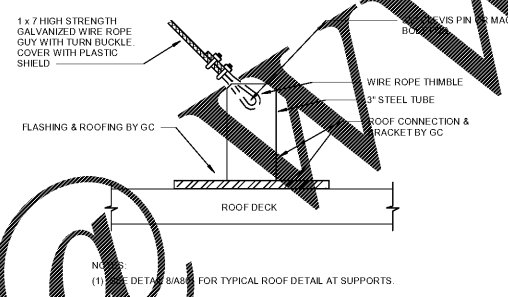
**3 FLEXIBLE DUCT CONNECTION TO DIFFUSER**  
NTS



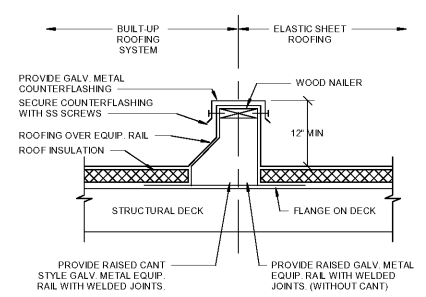
**1 RECTANGULAR DUCT JOINT CONSTRUCTION FOR OUTDOOR INSTALLATION**  
NTS



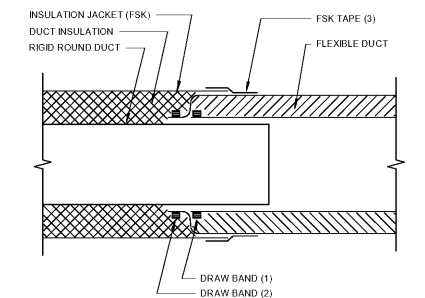
**8 FUME EXHAUST AIR VALVE CONNECTION (FLANGE CONNECTION)**  
NTS



**6 GUY WIRE ROOF CONNECTION (STANDARD)**  
NTS



**4 EQUIPMENT RAIL**  
NTS



**2 FLEXIBLE DUCT CONNECTION TO INSUL RIGID ROUND DUCT**  
NTS

Revisions:	Date:

**CONSULTANT**  
 Consultant:  
**AEI Affiliated Engineers**  
 5802 Research Park Boulevard  
 Madison, WI 53719  
 608.238.2616  
 aeieing.com

**ARCHITECT/ENGINEER OF RECORD**  
 A/E:  
**LA LACHIN Architects, apc**  
 Architecture, Planning, Project Management  
 5190 Canal Boulevard, Suite 201  
 New Orleans, LA 70124  
 (504)835-8013

**STAMP**  
 PROFESSIONAL ENGINEER  
 STATE OF MISSISSIPPI  
 No. 10826  
 EXPIRES 12/31/2018

Office of Construction and Facilities Management  
**VA** U.S. Department of Veterans Affairs

Drawing Title  
**MECHANICAL DETAILS**  
 Approved:

Phase  
**CONSTRUCTION DOCUMENTS**

Project Title  
**RENOVATE PHARMACY CLEAN ROOM (USP 797)**  
 Location  
 510 E. Stoner Ave. Shreveport, LA 71101  
 Issue Date  
 10/05/2017  
 Checked  
 KGF  
 Drawn  
 JBP

Project Number  
 667-17-108  
 Building Number  
 1  
 Drawing Number  
**M502**

Order Plans @ www.LDOnline.com