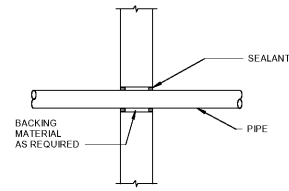


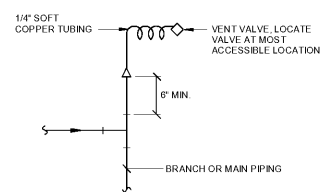
A WITH PIPE INSULATION



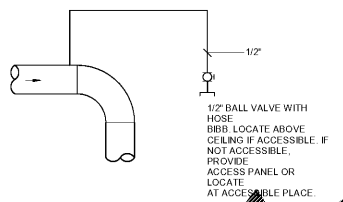
B WITHOUT PIPE INSULATION

NOTES:
(1) WHERE WALL IS FIRE RATED, APPLY FIRE STOPPING SYSTEM (COMBINATION OF SEALANT, BACKING MATERIAL AND INSULATION) MEETING THIS RATING. REFER TO SPECIFICATION SECTION 20 0573 FOR FIRE STOPPING SYSTEM.

7 PIPE THRU INTERIOR WALL
NTS

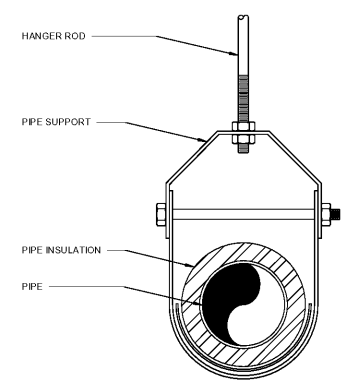


A COILS AND SUBCIRCUITS



B MAIN PIPES

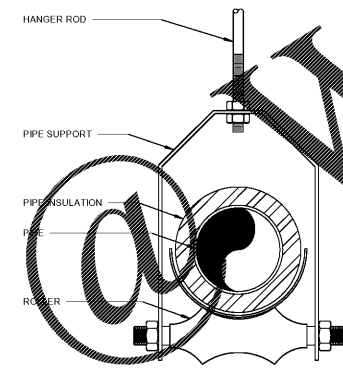
8 AIR VENT PIPING
NTS



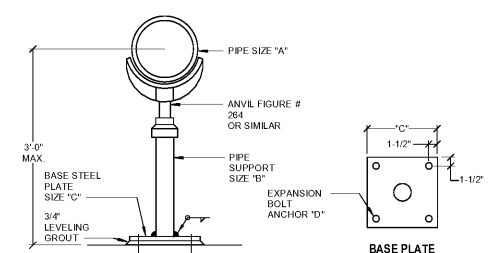
5 PIPE HANGER (CLEVIS)
NTS

NOTES:
(1) REFER TO SPECIFICATION SECTION 20 0529 FOR INSULATED PIPE SUPPORTS, INSULATION PROTECTION SHIELDS AND SADDLES.

6 PIPE HANGER (ROLLER)
NTS



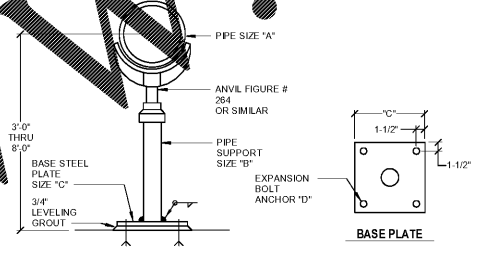
NOTES:
(1) REFER TO SPECIFICATION SECTION 20 0529 FOR INSULATED PIPE SUPPORTS, INSULATION PROTECTION SHIELDS AND SADDLES.



"A"	"B"	"C"	"D"	MAX WEIGHT (LB.)
3	2-1/2	1/2 X 9 X 9	3/8	170
4	3	1/2 X 9 X 9	3/8	330
6	3	1/2 X 9 X 9	3/8	780
8	3	1/2 X 9 X 9	3/8	1240
10	4	3/4 X 10 X 10	1/2	2200
12	4	3/4 X 10 X 10	1/2	2280
14	4	3/4 X 10 X 10	1/2	2840
16	4	3/4 X 10 X 10	1/2	3260
18	6	7/8 X 12 X 12	1/2	4940
20	6	7/8 X 12 X 12	1/2	5890
24	6	7/8 X 12 X 12	1/2	8010
30	8	7/8 X 14 X 14	3/4	13000

NOTES:
(1) ALL DIMENSIONS IN INCHES.
(2) CONCRETE FLOOR SLAB TO HAVE MIN. 3500 PSI.
(3) SUPPORT PIPE TO BE ASME A53, GRADE B, TYPE E OR S, STANDARD WEIGHT, CARBON STEEL.
(4) SEE DETAIL 8/A801 FOR TYPICAL ROOF DETAIL AT SUPPORTS.

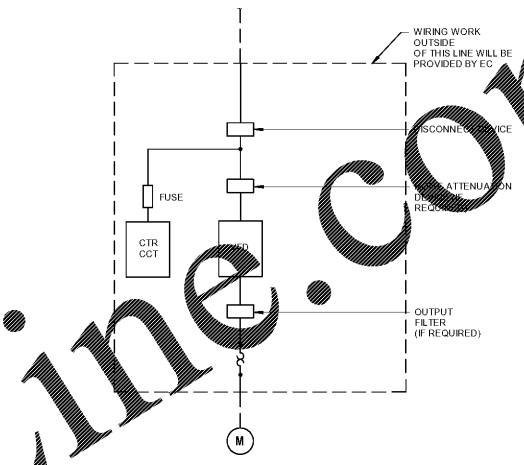
3 PIPING SUPPORT (3 FT)
NTS



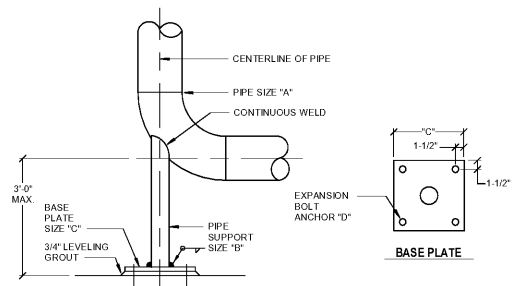
"A"	"B"	"C"	"D"	MAX WEIGHT (LB.)
3	2-1/2	1/2 X 9 X 9	3/8	170
4	3	1/2 X 9 X 9	1/2	330
6	4	3/4 X 10 X 10	1/2	780
8	4	3/4 X 10 X 10	1/2	1240
10	6	7/8 X 12 X 12	3/4	2200
12	6	7/8 X 12 X 12	3/4	2280
14	6	7/8 X 12 X 12	3/4	2840
16	6	7/8 X 12 X 12	3/4	3260
18	10	1 X 16 X 16	1	4940
20	10	1 X 16 X 16	1	5890
24	10	1 X 16 X 16	1	8010
30	12	1 X 16 X 16	1	13000

NOTES:
(1) ALL DIMENSIONS IN INCHES.
(2) CONCRETE FLOOR SLAB TO HAVE MIN. 3500 PSI.
(3) SUPPORT PIPE TO BE ASME A53, GRADE B, TYPE E OR S, STANDARD WEIGHT, CARBON STEEL.
(4) SEE DETAIL 8/A801 FOR TYPICAL ROOF DETAIL AT SUPPORTS.

4 PIPING SUPPORT (3-8 FT)
NTS



1 VFD SYSTEM WIRING BLOCK DIAGRAM
NTS



"A"	"B"	"C"	"D"
6	3	1/2 X 9 X 9	3/8
8	3	1/2 X 9 X 9	3/8
10	4	3/4 X 10 X 10	1/2
12	4	3/4 X 10 X 10	1/2
14	4	3/4 X 10 X 10	1/2
16	4	3/4 X 10 X 10	1/2
18	6	7/8 X 12 X 12	1/2
20	6	7/8 X 12 X 12	1/2
24	6	7/8 X 12 X 12	1/2
30	8	7/8 X 14 X 14	3/4

NOTES:
(1) ALL DIMENSIONS IN INCHES.
(2) CONCRETE FLOOR SLAB TO HAVE MIN. 3500 PSI.
(3) SUPPORT PIPE TO BE ASME A53, GRADE B, TYPE E OR S, STANDARD WEIGHT, CARBON STEEL.
(4) SEE DETAIL 8/A801 FOR TYPICAL ROOF DETAIL AT SUPPORTS.

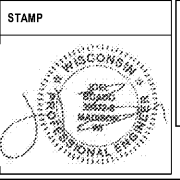
2 PIPE SUPPORT AT ELBOW
NTS

Order Plans
 C:\Users\jbrun\Documents\Revit 2018 Local Copy\7540-00 - CBV\CMC Pharmacy\jbrun.rvt
 10/8/2017 10:52:43 AM

Revisions:	Date:

CONSULTANT
 Consultant:
AEL Affiliated Engineers
 5802 Research Park Boulevard
 Madison, WI 53719
 608.238.2616
 aeleng.com

ARCHITECT/ENGINEER OF RECORD
 A/E:
LA LACHIN Architects, apc
 Architecture . Planning . Project Management
 5190 Canal Boulevard, Suite 201
 New Orleans, LA 70124
 (504)835-8013



Office of Construction and Facilities Management
 VA U.S. Department of Veterans Affairs

Drawing Title
MECHANICAL DETAILS
 Approved:

Phase
CONSTRUCTION DOCUMENTS

Project Title
RENOVATE PHARMACY CLEAN ROOM (USP 797)
 Location
 510 E. Stoner Ave. Shreveport, LA 71101
 Issue Date
 10/05/2017
 Checked
 KGF
 Drawn
 JBP

Project Number
 667-17-108
 Building Number
 1
 Drawing Number
M500