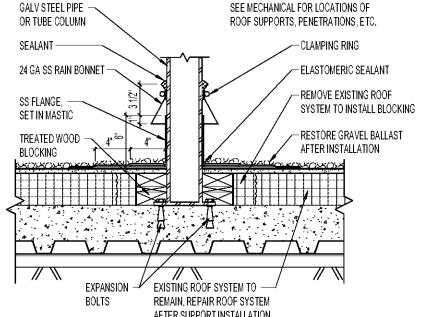
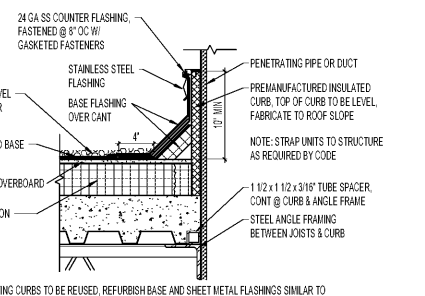


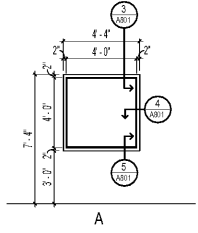
**12**  
**A801**  
**DETAIL AT MIRROR EDGE, TYP**  
12" x 1'-0"



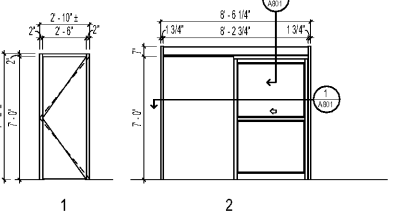
**8**  
**A801**  
**ROOF EQUIPMENT SUPPORT DETAIL**  
1 1/2" x 1'-0"



**9**  
**A801**  
**ROOF CURB DETAIL**  
1 1/2" x 1'-0"



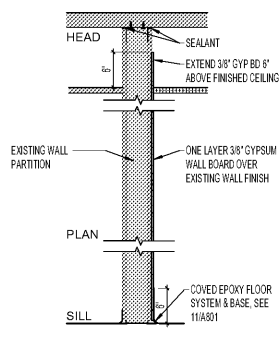
**WINDOW TYPES**



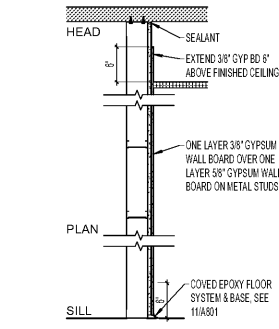
**DOOR TYPES**

DOOR AND FRAME SCHEDULE														
MARK	RATING (Minutes)	NUMBER OF PANELS	PANELS			FRAME								REMARKS
			PANEL 1	PANEL 2	OVERALL	HEIGHT	THK	FINISH	TYPE	DEPTH	FINISH	ELEV	HWD	
1	-	1	4'-0"		8'-6 1/4"	7'-0"	1 7/8"	Clear Anodized	Alum		Clear Anodized	2	Per Mfg	
2	-	1	4'-0"		8'-6 1/4"	7'-0"	1 7/8"	Clear Anodized	Alum		Clear Anodized	2	Per Mfg	
3	-	1	4'-0"		8'-6 1/4"	7'-0"	1 7/8"	Clear Anodized	Alum		Clear Anodized	2	Per Mfg	
4	-	1	2'-6"		2'-6"	7'-0"	1 3/4"	WD	HM	5 3/4"	Field Varnished	1	Existing stain, refinish and field	

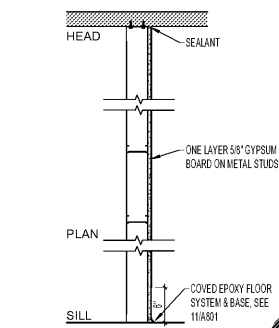
WINDOW SCHEDULE													
WV	OPENING		TYPE	MATERIAL	HEAD	JAMB	SILL	GLAZING	ELEV	HWD	REMARKS	GLAZING	
	WIDTH	HEIGHT										TYPE	FINISH
A	4'-0"	4'-0"	Single Panel	Painted HM	3/A801	4/A801	5/A801	1/4"	Tempered		Epoxy finish on Clean Room Side - Paint on Pharmacy Side		



TYPE	STUD SIZE	OVERALL WIDTH	FIRE RATING	STC RATING
C2	2-1/2"	3-1/2"		
C3	3-5/8"	4-5/8"		

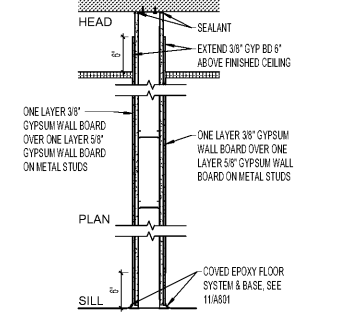


TYPE	STUD SIZE	OVERALL WIDTH	FIRE RATING	STC RATING
B2	2-1/2"	3-1/2"		
B3	3-5/8"	4-5/8"		

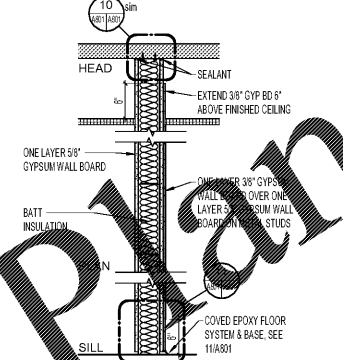


TYPE	STUD SIZE	OVERALL WIDTH	FIRE RATING	STC RATING
A2	2-1/2"	3-1/2"		
A3	3-5/8"	4-1/4"		

**PARTITION TYPES**

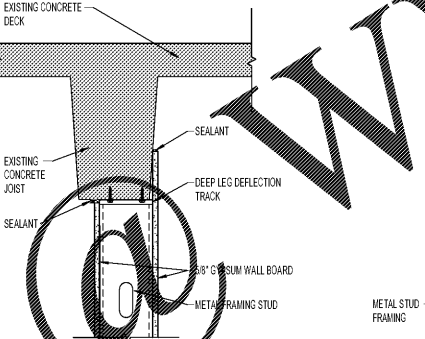


TYPE	STUD SIZE	OVERALL WIDTH	FIRE RATING	STC RATING
E2	3-5/8"	5-5/8"		
E3	5"	8"		

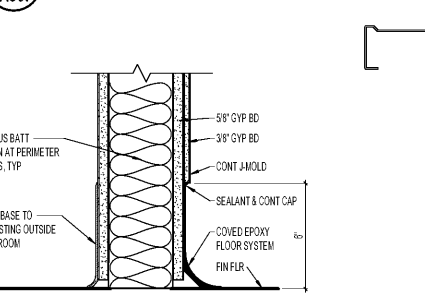


TYPE	STUD SIZE	OVERALL WIDTH	FIRE RATING	STC RATING
D2	3-5/8"	5-1/4"		
D3	3-5/8"	5-1/4"		

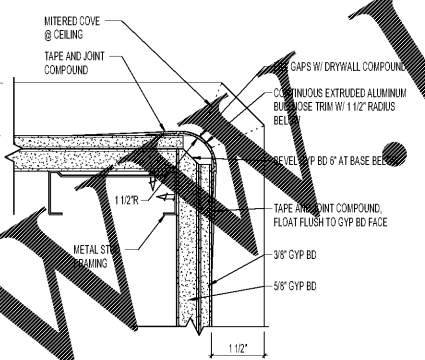
**PARTITION TYPES**



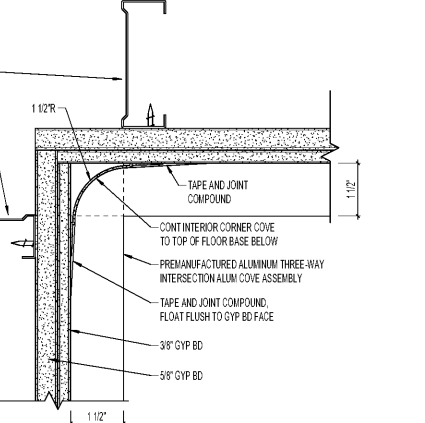
**6**  
**A801**  
**TYP HORIZ SECTION @ CEILING COVE AT ALL EXTERIOR CORNERS**  
6" x 1'-0"



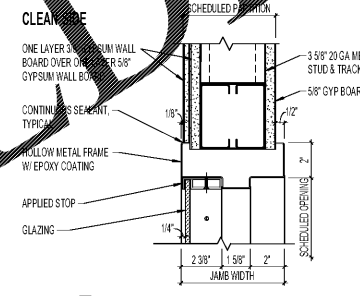
**7**  
**A801**  
**TYP HORIZ SECTION @ CEILING COVE AT ALL INTERIOR WALL AND CEILING CORNERS**  
6" x 1'-0"



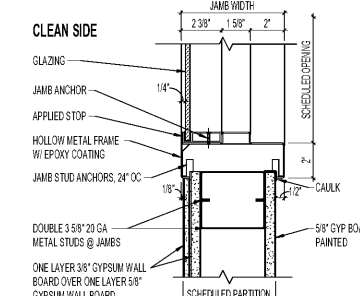
**6**  
**A801**  
**TYP HORIZ SECTION @ CEILING COVE AT ALL EXTERIOR CORNERS**  
6" x 1'-0"



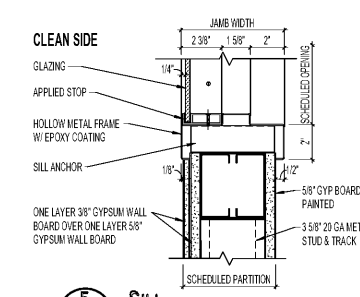
**7**  
**A801**  
**TYP HORIZ SECTION @ CEILING COVE AT ALL INTERIOR WALL AND CEILING CORNERS**  
6" x 1'-0"



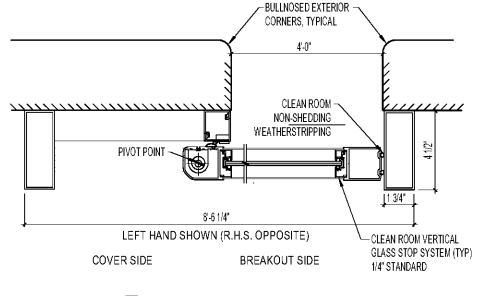
**3**  
**A801/A801**  
**HEAD**  
3" x 1'-0"



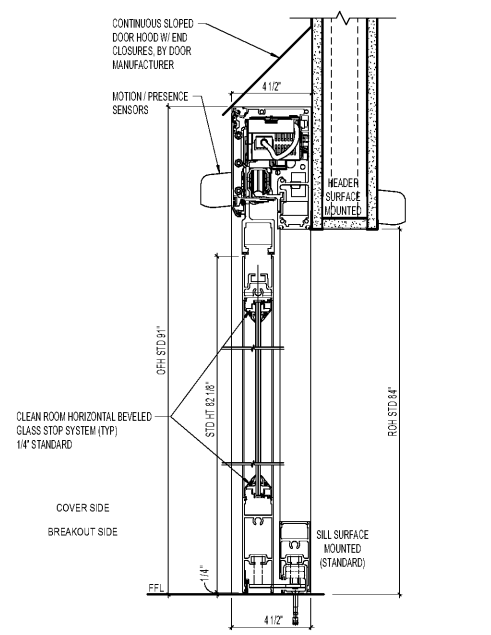
**4**  
**A801/A801**  
**JAMB**  
3" x 1'-0"



**5**  
**A801/A801**  
**SILL**  
3" x 1'-0"



**2**  
**A801/A801**  
**HEAD / SILL**  
3" x 1'-0"



**2**  
**A801/A801**  
**HEAD / SILL**  
3" x 1'-0"

NO.	REVISIONS	DATE

**CONSULTANT**  
Consultant:  
**EYP/**  
1111 Louisiana, 26th Floor  
Houston, TX 77002  
(713)665-5665  
Chris Collier, AIA

**ARCHITECT/ENGINEER OF RECORD**  
A/E:  
**LA LACHIN Architects, APC**  
Architecture, Planning, Project Management  
5190 Canal Boulevard, Suite 201  
New Orleans, LA 70124  
Michael G. Lachin (504)835-8013

**STAMP**  
Professional Engineer Seal for Michael G. Lachin, State of Louisiana, No. 10000.

**Office of Construction and Facilities Management**  
U.S. Department of Veterans Affairs

Drawing Title:  
**INTERIOR DETAILS**  
Approved: \_\_\_\_\_

Phase:  
**Construction Documents**

Project Title:  
**RENOVATE PHARMACY CLEAN ROOM (USP 797)**  
Location:  
510 E. Stoner Ave. Shreveport, LA 71101  
Issue Date: October 5, 2017  
Checked: PF  
Drawn: BB

Project Number:  
667-17-108  
Building Number:  
1  
Drawing Number:  
A801

Order Plans

10/05/2017 9:32:24 AM  
N:\Lachin\Ch...TTC-OB\VAAC Pharmacy\Construction\Drawings\Rev\OB\VAAC\_Clean Room.rvt