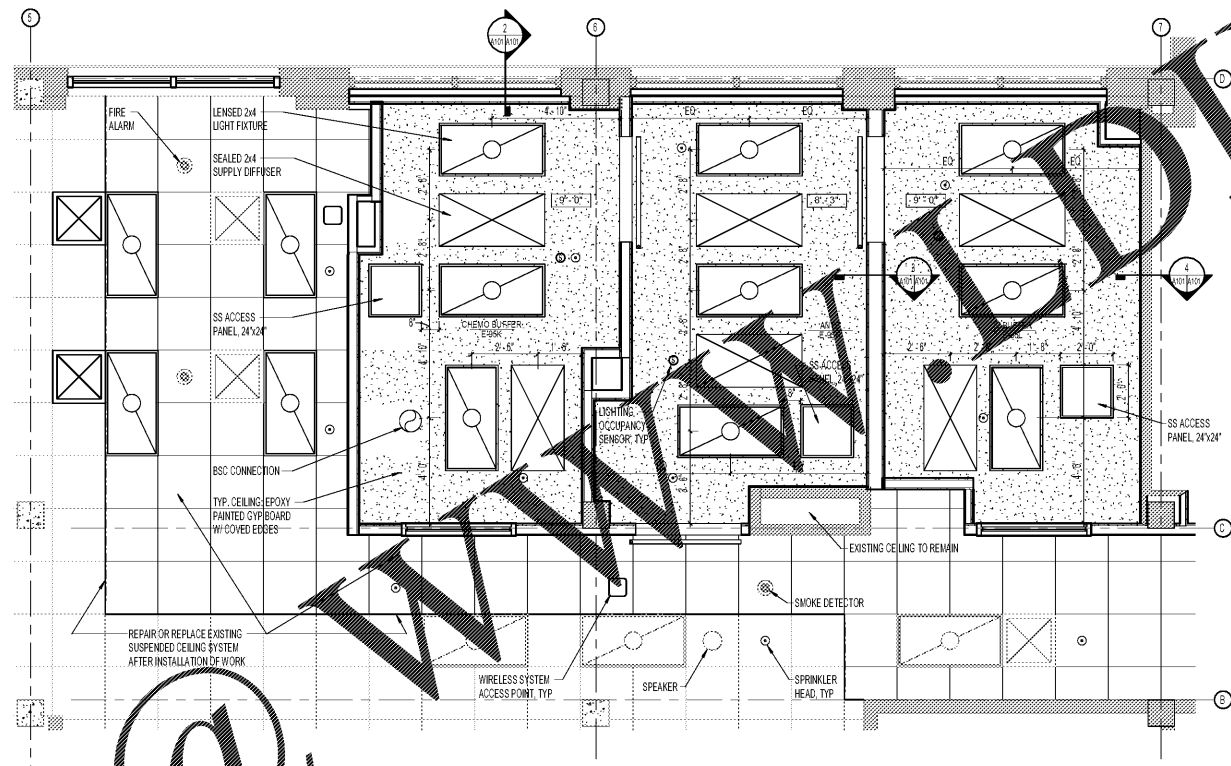
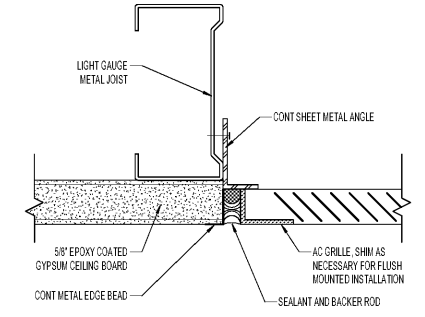


RCP LEGEND	
○	WALL MOUNTED LIGHT FIXTURE
○	CEILING MOUNTED LIGHT
○	RECESSED DOWNLIGHT FIXTURE
□	20" x 40" FLUORESCENT LIGHT FIXTURE
⊗	AIR SUPPLY REGISTER
⊗	RETURN AIR REGISTER GRILLE
+	20" x 20" ACOUSTICAL PANEL CEILING, MATCH EXISTING UNLESS NOTED OTHERWISE.
■	5/8" GYPSUM BOARD CEILING OR FURR DOWN.
9'-0"	CEILING HEIGHT INDICATION

- GENERAL NOTES**
- THE PRIMARY CEILING DEVICES ARE SHOWN IN THE REFLECTED CEILING PLAN. COORDINATE WITH THE MEP DOCUMENTS FOR ADDITIONAL CEILING MOUNTED DEVICES.
 - ARCHITECTURAL REFLECTED CEILING PLAN SHALL GOVERN FOR LOCATION OF ALL CEILING MOUNTED DEVICES.
 - ACOUSTICAL PANEL CEILING IS TO MATCH EXISTING UNLESS NOTED OTHERWISE.
 - WHERE NEW CEILINGS ADJUT EXISTING CEILINGS, HEIGHTS GIVEN ARE APPROXIMATE. ALIGN NEW CEILINGS WITH EXISTING CEILING UNLESS NOTED OTHERWISE.
 - SEAL AROUND ALL CEILING MOUNTED FEATURES INCLUDING, BUT NOT LIMITED TO: LIGHTS, ACCESS PANELS, SPRINKLER HEADS AND ALL OTHER MISCELLANEOUS CEILING FEATURES.



1 REFLECTED CEILING PLAN - FIRST FLOOR
3/8" = 1'-0"



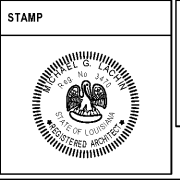
2 TYPICAL HVAC GRILLE DETAIL
② CEILINGS & WALLS
1/2" = 1'-0"

Order Plans @ www.dl.com

Revisions:	Date:

CONSULTANT
 Consultant:
EYP/
 1111 Louisiana, 26th Floor
 Houston, TX 77002
 (713) 665-5665
 Chris Caillier, AIA

ARCHITECT/ENGINEER OF RECORD
 A/E:
LA LACHIN Architects, APC
 Architecture . Planning . Project Management
 5190 Canal Boulevard, Suite 201
 New Orleans, LA 70124
 (504) 835-8013



Office of Construction and Facilities Management
 U.S. Department of Veterans Affairs

Drawing Title
REFLECTED CEILING PLAN
 Approved:

Phase
Construction Documents

Project Title
RENOVATE PHARMACY CLEAN ROOM (USP 797)
 Location
 510 E. Stoner Ave. Shreveport, LA 71101
 Issue Date
 October 5, 2017

Project Number
 667-17-108
 Building Number
 1
 Drawing Number
A102

Checked	Drawn
PF	BB