



HOMWOOD PATRICK PARK POOL



HOMWOOD PARKS AND RECREATION; HOMWOOD, AL

DAVIS ARCHITECTS

OWNER
HOMWOOD PARKS AND RECREATION
1632 OAKWOOD ROAD
HOMWOOD, AL 35209
205-322-6704
ATTN: BERKELEY SQUIRES

ARCHITECT
DAVIS ARCHITECTS, INC.
120 23RD STREET SOUTH
BIRMINGHAM, AL 35233
205-322-7482
ATTN: JIM HARTSELL

LANDSCAPE ARCHITECT
HNP
1914 26TH AVE S.
BIRMINGHAM, AL 35209
205-324-4447
ATTN: TAMMY HOLCOMBE / ED NORTON

CONSTRUCTION MANAGER
BL HARBERT
820 SHADES CREEK PARKWAY, SUITE 3000
BIRMINGHAM, AL 35209
205-862-2800
ATTN: JOHN HANSON

STRUCTURAL ENGINEER
LEYD INC.
716 SOUTH 30TH STREET
BIRMINGHAM, AL 35233
205-251-4500
ATTN: WIM BISHOP / BRAD CHRISTOPHER

MECHANICAL ENGINEER
WHITAKER & RAWSON
3332 OLD MONTGOMERY HIGHWAY
SUITE 103
BIRMINGHAM, AL 35209
205-870-6801
ATTN: DAN WHITAKER, ERIK HARTWIG, AND MARK D'ANDREA

CIVIL ENGINEER
LEYD INC.
716 SOUTH 30TH STREET
BIRMINGHAM, AL 35233
205-251-4500
ATTN: CURTIS EATMAN AND BRAIN HATCHER

ELECTRICAL ENGINEER
FISHER ARNOLD
1507 ALEX DR.
SUITE 101
BIRMINGHAM, AL 35210
205-832-7033
ATTN: JOSEPH KUMU AND NICHOLAS BROWN

PLUMBING / FIRE PROTECTION ENGINEER
EDMONDS ENGINEERING
2 RIVERCHASE OFFICE PLAZA
SUITE 205
BIRMINGHAM, AL 35244
205-988-2069
ATTN: CAROL JOHNSON

POOL CONSULTANT
COUNSELMAN HUNSAKE
10733 SUNSET OFFICE DRIVE
SUITE 400
ST. LOUIS, MO 63127
314-894-1245
ATTN: JEFF NODORFT

REV. DATE. DESCRIPTION.

DATE: OCTOBER 6, 2017

PROJECT: 100% CONSTRUCTION DOCUMENTS

DESIGNED BY: DAVIS ARCHITECTS PROJECT NO.: 3822

SHEET TITLE: DETAILS

DRAWING NO.: E0.08

FISHER ARNOLD
1507 Alex Drive, Suite 101 | Birmingham, AL 35209
205.832.7033 | Fax: 205.832.7030 | farnold.com

PROJECT: J10405

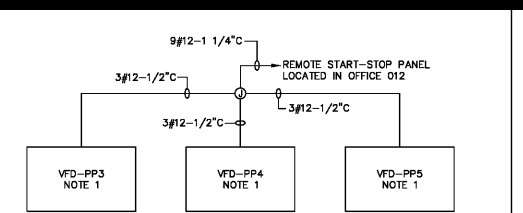
DATE: OCTOBER 6, 2017

PROJECT: 100% CONSTRUCTION DOCUMENTS

DESIGNED BY: DAVIS ARCHITECTS PROJECT NO.: 3822

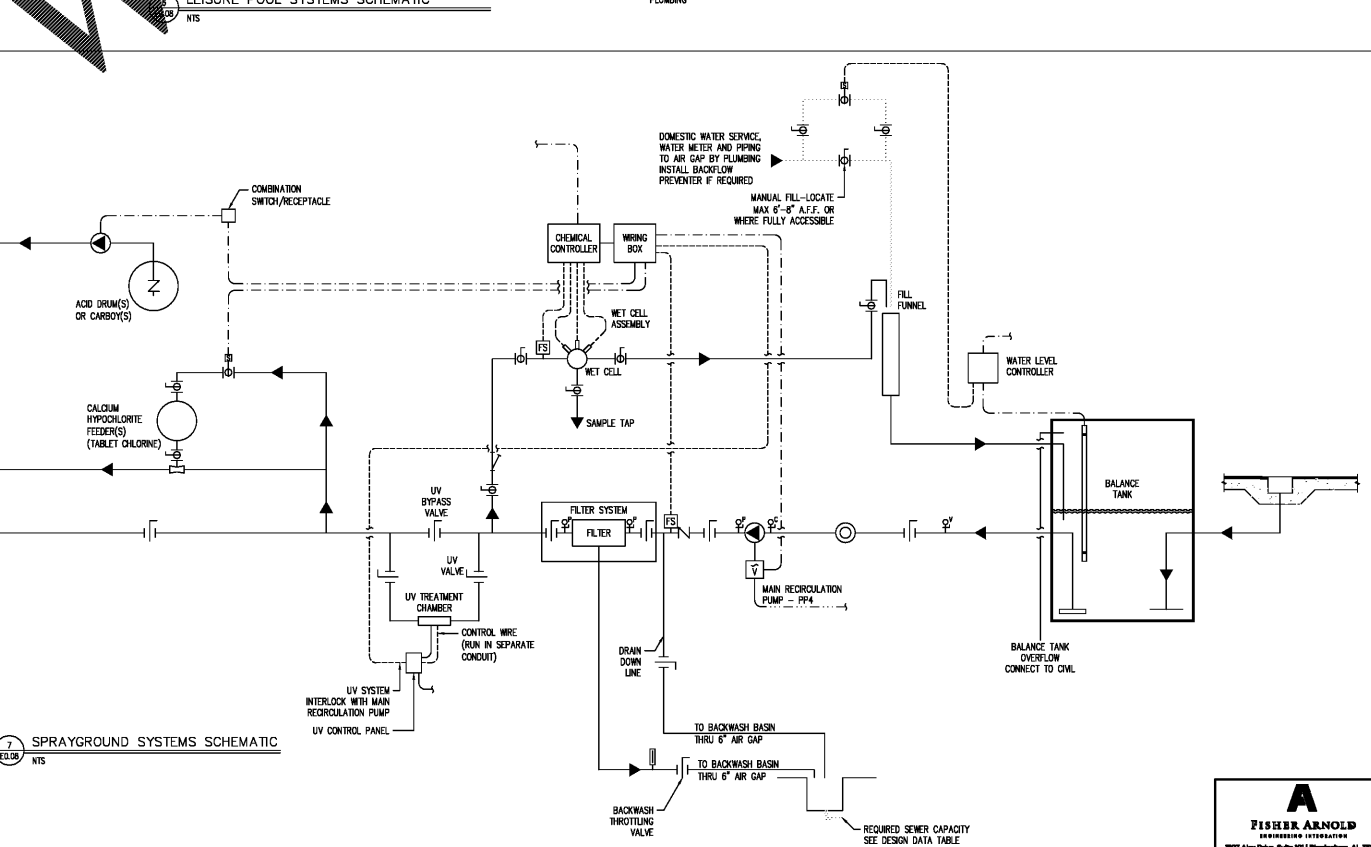
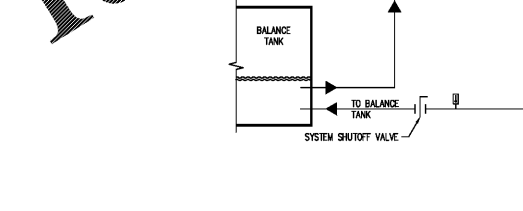
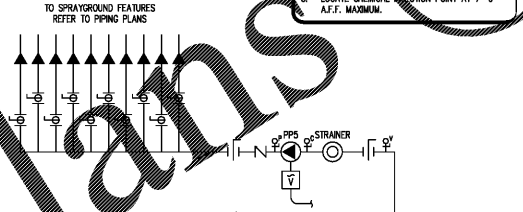
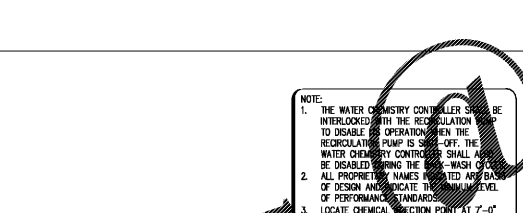
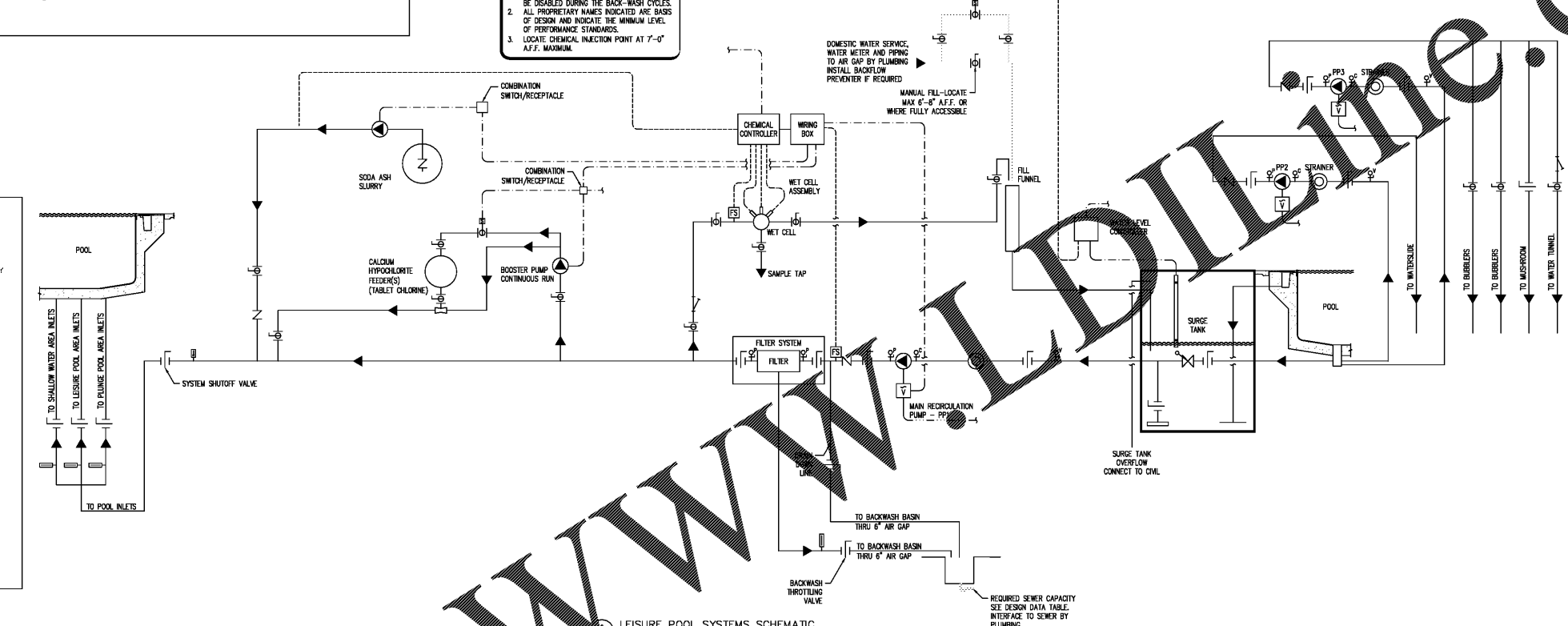
SHEET TITLE: DETAILS

DRAWING NO.: E0.08

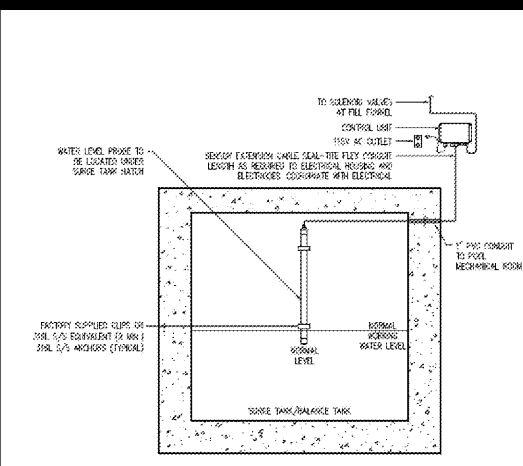


NOTES:
1. PROVIDE AUXILIARY CONTACT IN VFD FOR REMOTE START-STOP.
2. REMOTE START-STOP PANEL CONTROL WIRING DIAGRAM

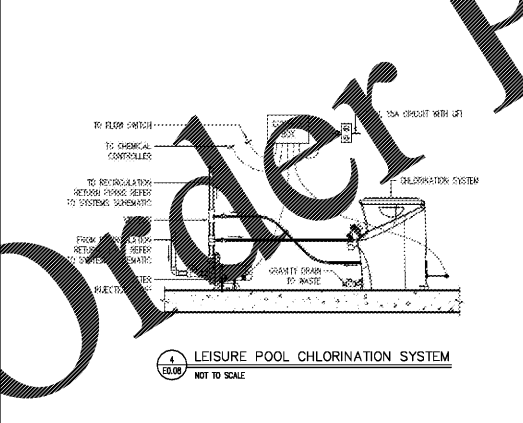
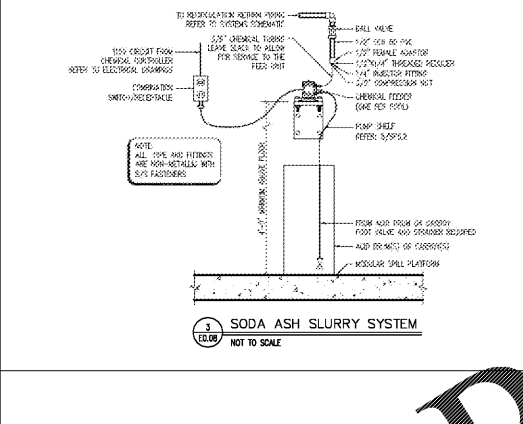
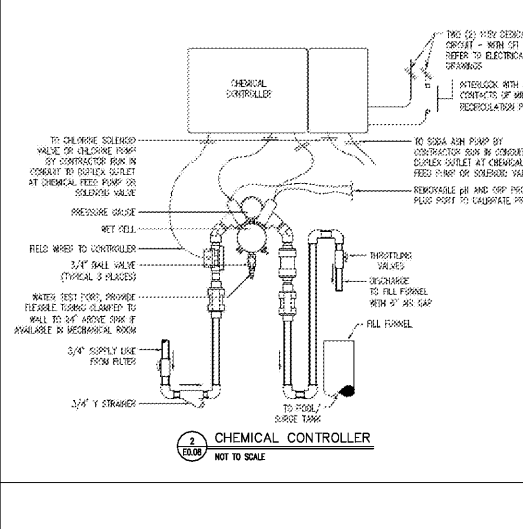
NOTE:
1. THE WATER CHEMISTRY CONTROLLER SHALL BE INTERLOCKED WITH THE RECIRCULATION PUMP TO DISABLE ITS OPERATION WHEN THE RECIRCULATION PUMP IS SHUT-OFF. THE WATER CHEMISTRY CONTROLLER SHALL ALSO BE DISABLED DURING THE BACK-WASH CYCLES.
2. ALL PROPRIETARY NAMES INDICATED ARE BASIS OF DESIGN AND INDICATE THE MINIMUM LEVEL OF PERFORMANCE STANDARDS.
3. LOCATE CHEMICAL INJECTION POINT AT 7'-0" A.F.F. MAXIMUM.



NOTE:
1. THE WATER CHEMISTRY CONTROLLER SHALL BE INTERLOCKED WITH THE RECIRCULATION PUMP TO DISABLE ITS OPERATION WHEN THE RECIRCULATION PUMP IS SHUT-OFF. THE WATER CHEMISTRY CONTROLLER SHALL ALSO BE DISABLED DURING THE BACK-WASH CYCLES.
2. ALL PROPRIETARY NAMES INDICATED ARE BASIS OF DESIGN AND INDICATE THE MINIMUM LEVEL OF PERFORMANCE STANDARDS.
3. LOCATE CHEMICAL INJECTION POINT AT 7'-0" A.F.F. MAXIMUM.



NOTES:
1. WATER LEVEL CONTROLLER



NOTES:
1. LEISURE POOL CHLORINATION SYSTEM

Order Plans