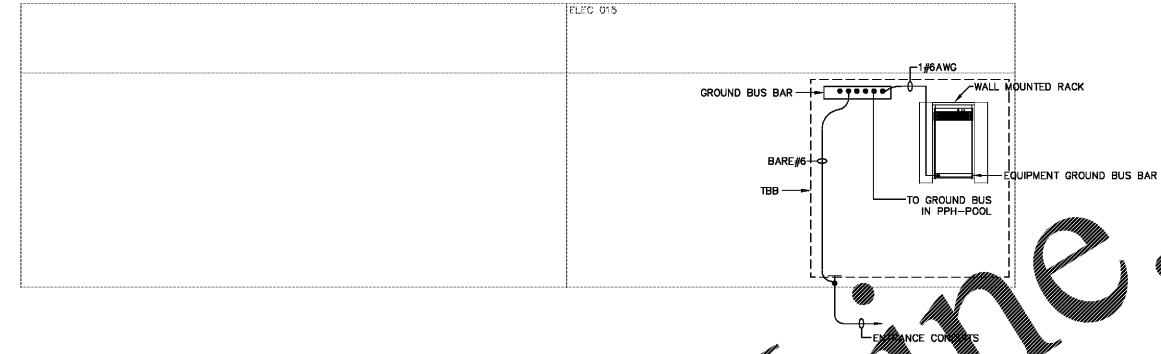
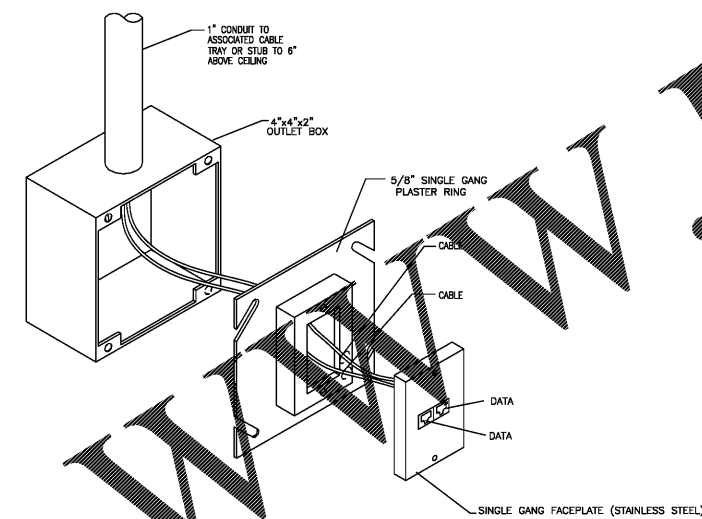


- NOTES:
1. THE CONTRACTOR SHALL WORK FOLLOW INSTALLATION INSTRUCTIONS PROVIDED BY HEAT TRACE SYSTEM MANUFACTURER.
 2. WORK AND EQUIPMENT SHALL MEET NEC AND LOCAL CODE REQUIREMENTS.
 3. CONTRACTOR SHALL CLOSELY COORDINATE WORK WITH PLUMBING CONTRACTOR.
 4. ALL EQUIPMENT SHALL BE PROPERLY SUPPORTED PER NEC AND MANUFACTURER RECOMMENDATIONS.
 5. BASIS OF DESIGN IS RAYCHEM HWAT-R2 HEAT TRACE CABLE SYSTEM.

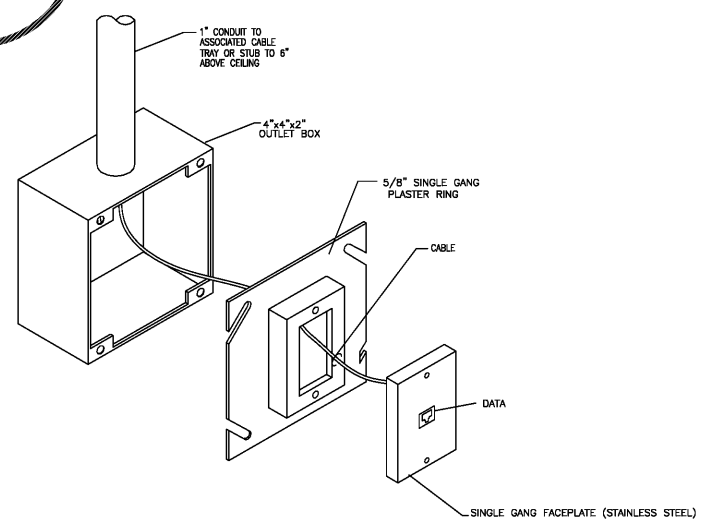
DETAIL
ELECTRIC HEAT TRACE
NOT TO SCALE



CABLE TRAY, RACEWAY, & RACK GROUNDING DETAIL, TYPICAL
NOT TO SCALE



TYPICAL DATA 2 (TWO) STATION OUTLET (2) PORT ▼D2
SCALE: NTS



TYPICAL VOICE STATION OUTLET (1) PORT ▼D1
SCALE: NTS

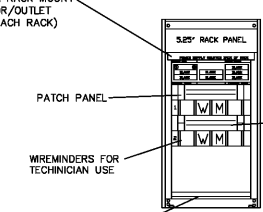
FIBER INTERCONNECT CENTER

①	②		
BLANK	BLANK	BLANK	BLANK
BLANK	BLANK	BLANK	BLANK

COUNT: 1-24

FIBER PANEL WITH TWO FIBER CABLES FROM SENSOR CENTER

RACK MOUNTED I-BAR 12/20 ULTRA RACK MOUNT SURGE SUPPRESSOR/OUTLET STRIPS (TYPICAL EACH RACK)



EQUIPMENT ELEVATION
WALL MOUNTED DATA RACK IN ELEC 015
NOT TO SCALE



HOMWOOD PATRIOT PARK POOL
HOMWOOD PARKS AND RECREATION
HOMWOOD, AL

DAVIS ARCHITECTS

- OWNER
HOMWOOD PARKS AND RECREATION
1632 OAKMOOR ROAD
HOMWOOD, AL 35209
205-322-6704
ATTN: BENJELLY SQUIRES
- ARCHITECT
DAVIS ARCHITECTS, INC.
120 23RD STREET SOUTH
BIRMINGHAM, AL 35233
205-322-7482
ATTN: JIM HARTSELL
- LANDSCAPE ARCHITECT
HNP
1914 28TH AVE S.
BIRMINGHAM, AL 35209
205-324-4447
ATTN: TOMMY HOLCOMBE / ED NORTON
- CONSTRUCTION MANAGER
BL HARBERT
820 SHADES CREEK PARKWAY, SUITE 3000
BIRMINGHAM, AL 35209
205-802-2800
ATTN: JOHN HANSON
- STRUCTURAL ENGINEER
LEYD INC.
716 SOUTH 30TH STREET
BIRMINGHAM, AL 35233
205-251-4500
ATTN: WIM BISHOP / BRAD CHRISTOPHER
- MECHANICAL ENGINEER
WHITAKER & RAWSON
3332 OLD MONTGOMERY HIGHWAY
SUITE 103
BIRMINGHAM, AL 35209
205-870-6801
ATTN: DAN WHITAKER, ERIK HARTWIG, AND MARK D'ANDREA
- CIVIL ENGINEER
LEYD INC.
716 SOUTH 30TH STREET
BIRMINGHAM, AL 35233
205-251-4500
ATTN: CURTIS EATMAN AND BRAIN HATCHER
- ELECTRICAL ENGINEER
FISHER ARNOLD
1507 ALEX DR.
SUITE 101
BIRMINGHAM, AL 35210
205-833-7033
ATTN: JOSEPH KUMU AND NICHOLAS BROWN
- PLUMBING / FIRE PROTECTION ENGINEER
EDMONDS ENGINEERING
2 RIVERCHASE OFFICE PLAZA
SUITE 205
BIRMINGHAM, AL 35244
205-988-2069
ATTN: CAROL JOHNSON
- POOL CONSULTANT
COUNCILMAN HUNSAKE
10733 SUNSET OFFICE DRIVE
SUITE 400
ST. LOUIS, MO 63127
314-894-1245
ATTN: JEFF NODORFT

REV	DATE	DESCRIPTION

DATE: OCTOBER 6, 2017
SCALE: 100% CONSTRUCTION DOCUMENTS
DRAWN BY: DAVIS ARCHITECTS
PROJECT NO.: 3822

SHEET TITLE: DETAILS

DRAWING NO.:

E0.05



Order Plans

WWW.LDILine.com