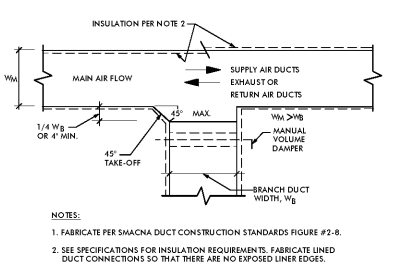
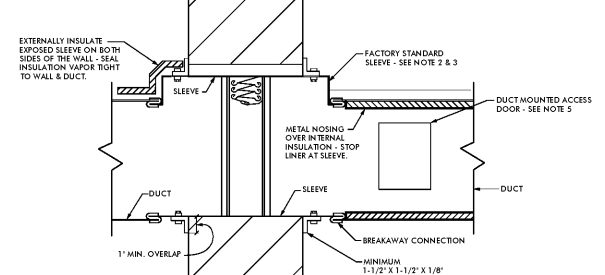


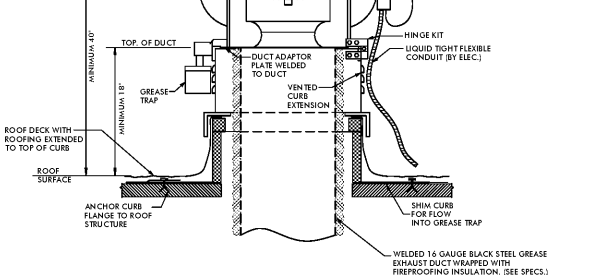
1
M4.00
LOW PRESSURE ROUND BRANCH DUCT CONNECTOR DETAIL
SCALE: NONE



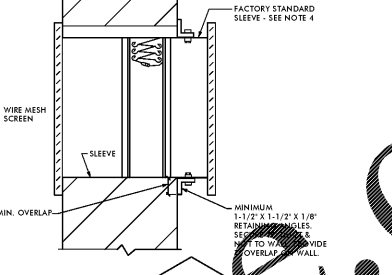
2
M4.00
DUCT BRANCH TAKE-OFF DETAIL
SCALE: NONE



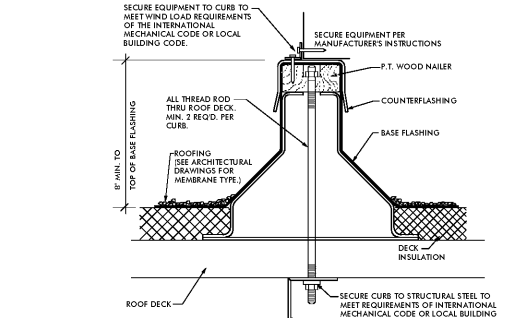
3
M4.00
CURTAIN TYPE FIRE DAMPER DETAIL
SCALE: NONE



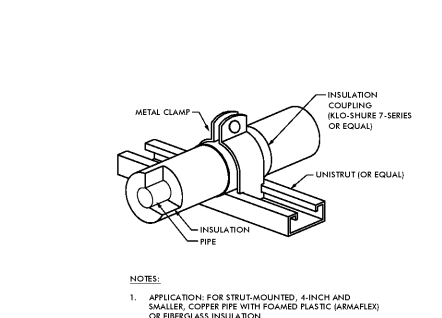
4
M4.00
CENTRIFUGAL UPBLAST ROOF MOUNTED KITCHEN HOOD EXHAUST FAN DETAIL
SCALE: NONE



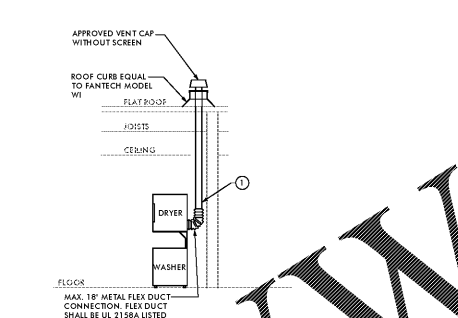
5
M4.0
FIRE DAMPER TRANSFER DETAIL
SCALE: NONE



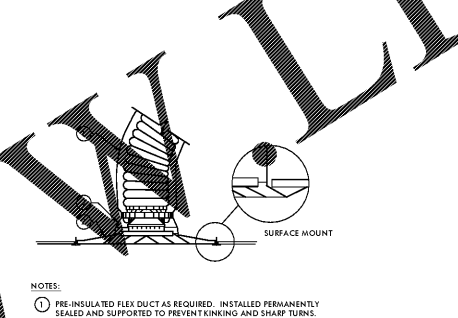
6
M4.00
EQUIPMENT ROOF SUPPORT DETAIL
SCALE: NONE



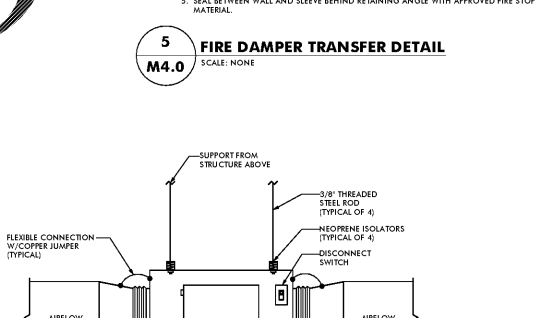
7
M4.00
STRUT-MOUNTED PIPING SUPPORT INSULATION COUPLING DETAIL
SCALE: NONE



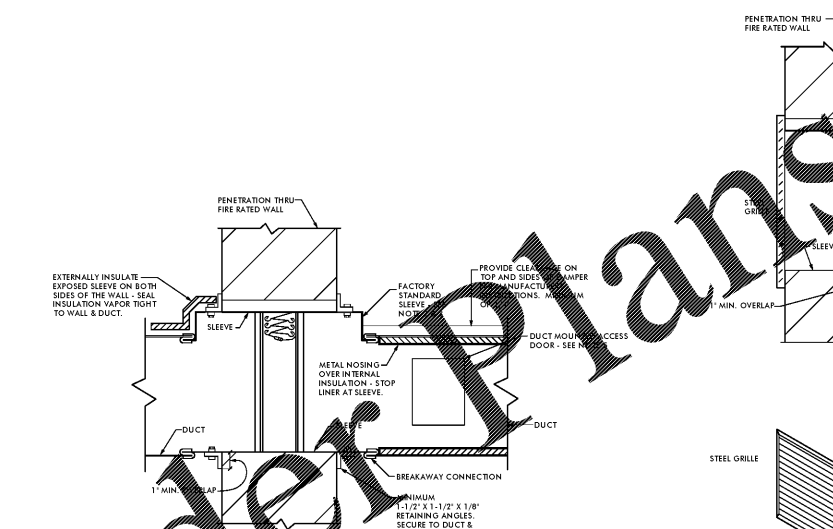
8
M4.0
DOMES DRYER ROOF EXHAUST DETAIL
SCALE: NONE



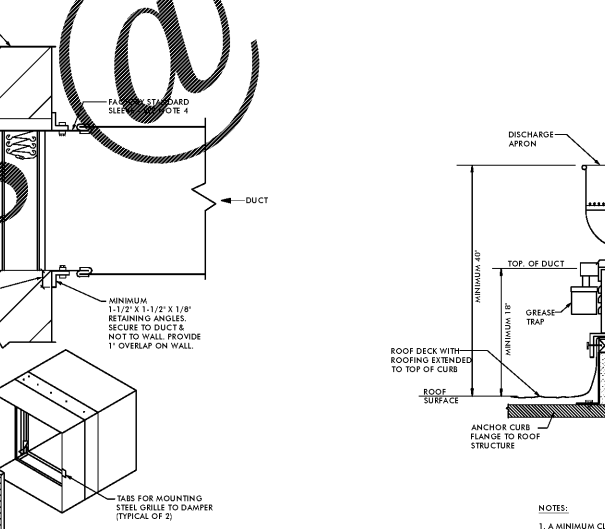
9
M4.0
CEILING DIFFUSER DETAIL
SCALE: NONE



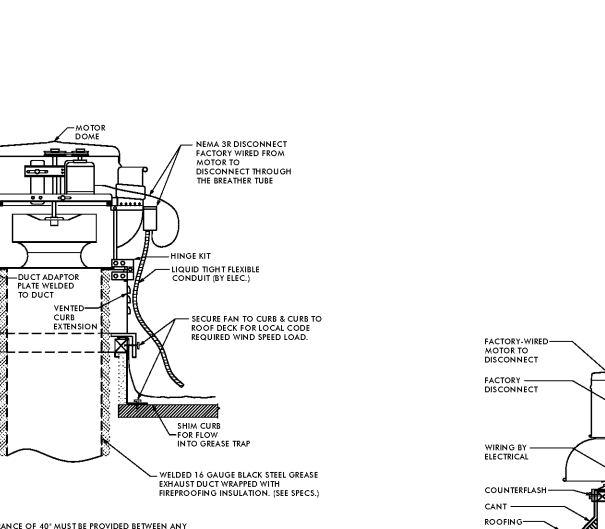
10
M4.0
CABINET IN-LINE FAN DETAIL
SCALE: NONE



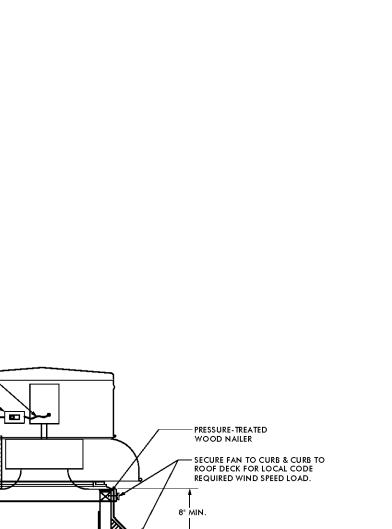
11
M4.0
CURTAIN TYPE FIRE DAMPER DETAIL
SCALE: NONE



12
M4.0
FIRE DAMPER WITH SIDEWALL GRILLE DETAIL
SCALE: NONE



13
M4.0
CENTRIFUGAL UPBLAST ROOF MOUNTED KITCHEN HOOD EXHAUST FAN DETAIL
SCALE: NONE



14
M4.0
CENTRIFUGAL ROOF EXHAUSTER DETAIL
SCALE: NONE

WWW.WALDING.COM

Order Plans @

HOMWOOD PATRIOT PARK POOL

HOMWOOD PARKS & RECREATION

HOMWOOD PARKS AND RECREATION; HOMWOOD, AL

OWNER: HOMEWOOD PARKS AND RECREATION
1633 OXNOR ROAD
HOMWOOD, AL 35209
256-322-2704
ATTN: BERLEY SQUIRES

ARCHITECT: DAVIS ARCHITECTS, INC.
129 25RD STREET SOUTH
BIRMINGHAM, AL 35233
256-322-7482
ATTN: JIM HARTSELL

LANDSCAPE ARCHITECT: HNP
1914 28TH AVE S
BIRMINGHAM, AL 35209
256-324-4447
ATTN: TOMMY HOLCOMBE / ED NORTON

CONSTRUCTION MANAGER: DL HARTBERT
820 SHADES CREEK PARKWAY, SUITE 3000
BIRMINGHAM, AL 35209
256-802-2800
ATTN: JOHN HANSON

STRUCTURAL ENGINEER: LEVD INC.
716 SOUTH 30TH STREET
BIRMINGHAM, AL 35233
256-251-4500
ATTN: WEN BISHOP / BRAD CHRISTOPHER

MECHANICAL ENGINEER: WHITAKER & RAWSON
3332 OLD MONTGOMERY HIGHWAY
SUITE 103
BIRMINGHAM, AL 35209
256-949-5178
ATTN: MARK D'ANDREA AND DAN WHITAKER

CIVIL ENGINEER: LEVD INC.
716 SOUTH 30TH STREET
BIRMINGHAM, AL 35233
256-251-4500
ATTN: CURTIS EATMAN AND BRIAN HATCHER

ELECTRICAL ENGINEER: FISHER ARNOLD
1507 ALEX DR.
SUITE 101
BIRMINGHAM, AL 35210
256-853-7033
ATTN: JOSEPH KUMU AND NICHOLAS BROWN

PLUMBING / FIRE PROTECTION ENGINEER: WHITAKER & RAWSON
3332 OLD MONTGOMERY HIGHWAY
SUITE 103
BIRMINGHAM, AL 35209
256-949-5107
ATTN: ERIC HARTWIG

POOL CONSULTANT: COUNSLMAN HUNSAKE
10733 SUNSET OFFICE DRIVE
SUITE 400
ST. LOUIS, MO 63127
314-894-1245
ATTN: JEFF WOODRFT

REV	DATE	DESCRIPTION

DATE: OCTOBER 6, 2017

SCALE: 100% CONSTRUCTION DOCUMENTS

DESIGNED BY: DAVIS ARCHITECTS PROJECT NO: 3822

SHEET TITLE: HVAC DETAILS

WR
WHITAKER & RAWSON, LLC
3332 Old Montgomery Hwy
Suite 103, Marsh Hill Bldg
Birmingham, AL 35209
www.whitakerandrawson.com
Mechanical: **Mark D'Andrea**
Direct: (205) 949-5128
Planning: **Rich Hawkins**
Direct: (205) 949-5107
WR PROJECT NUMBER: 17066

M4.00