



HOMWOOD PATRICIA PARK POOL
HOMWOOD PARKS AND RECREATION: HOMWOOD, AL

DAVIS ARCHITECTS

OWNER: HOMWOOD PARKS AND RECREATION
 1032 OAKWOOD ROAD
 HOMWOOD, AL 35209
 205-332-6704
 ATTN: BERKLEY SQUIRES

ARCHITECT: DAVIS ARCHITECTS, INC.
 120 23RD STREET SOUTH
 BIRMINGHAM, AL 35233
 205-332-7482
 ATTN: JIM HARTSELL

LANDSCAPE ARCHITECT: HNP
 1914 28TH AVE S
 BIRMINGHAM, AL 35209
 205-324-4447
 ATTN: TOMMY HOLCOMBE / ED NORTON

CONSTRUCTION MANAGER: DL HARTDOTT
 820 SHADES CREEK PARKWAY, SUITE 3000
 BIRMINGHAM, AL 35209
 205-862-2900
 ATTN: JOHN HANSON

STRUCTURAL ENGINEER: LBVD INC.
 715 SOUTH 30TH STREET
 BIRMINGHAM, AL 35233
 205-251-4500
 ATTN: WENDY BISHOP / BRAD CHRISTOPHER

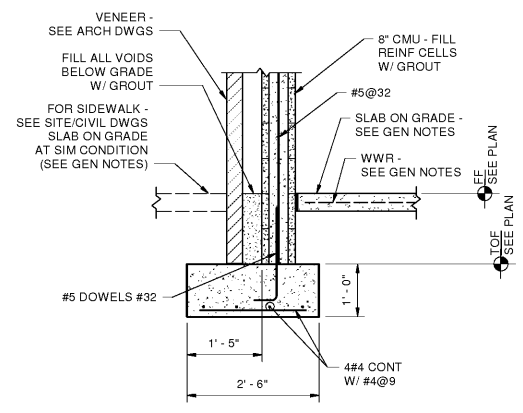
MECHANICAL ENGINEER: WHITAKER & RAWSON
 3332 OLD MONTGOMERY HIGHWAY
 SUITE 103
 BIRMINGHAM, AL 35209
 205-949-5128
 ATTN: MARK D'ANDREA AND DAN WHITAKER

CIVIL ENGINEER: LBVD INC.
 715 SOUTH 30TH STREET
 BIRMINGHAM, AL 35233
 205-251-4500
 ATTN: CHRIS EATMAN AND BRAIN HATCHER

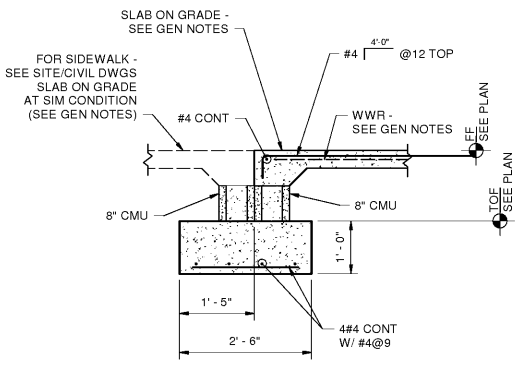
ELECTRICAL ENGINEER: FISHER ARNOLD
 1507 ALEX DR.
 SUITE 101
 BIRMINGHAM, AL 35210
 205-833-7033
 ATTN: JOSEPH KUMU AND NICHOLAS BROWN

PLUMBING / FIRE PROTECTION ENGINEER: WHITAKER & RAWSON
 3332 OLD MONTGOMERY HIGHWAY
 SUITE 103
 BIRMINGHAM, AL 35209
 205-949-5107
 ATTN: EDK HARTWIG

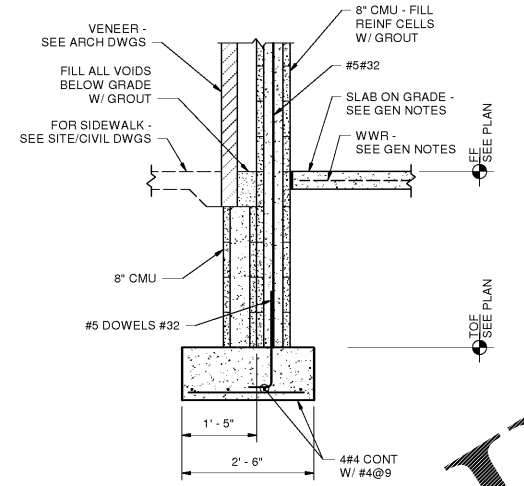
POOL CONSULTANT: COUNSILMAN HUNSAKE
 10733 SUNSET OFFICE DRIVE
 SUITE 400
 ST. LOUIS, MO 63127
 314 894 1245
 ATTN: JEFF NODORFT



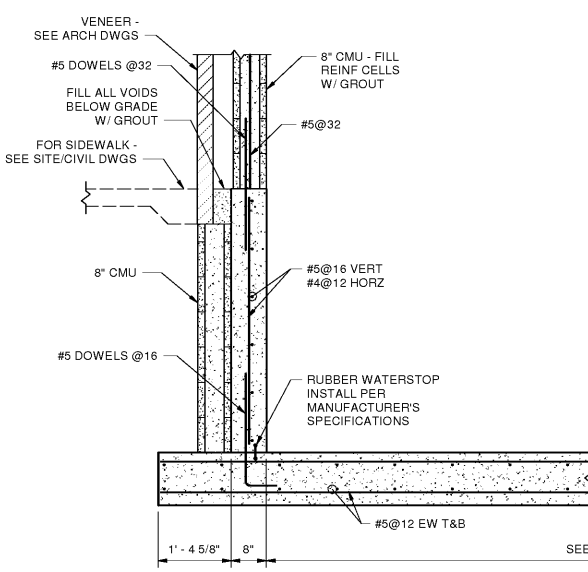
1 Section
 S2.01 3/4" = 1'-0"



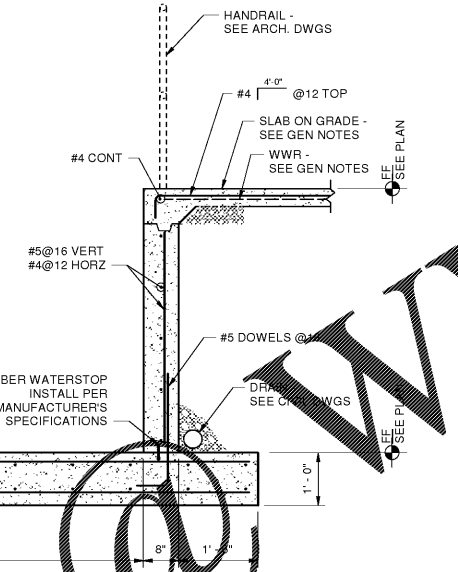
2 Section
 S2.01 3/4" = 1'-0"



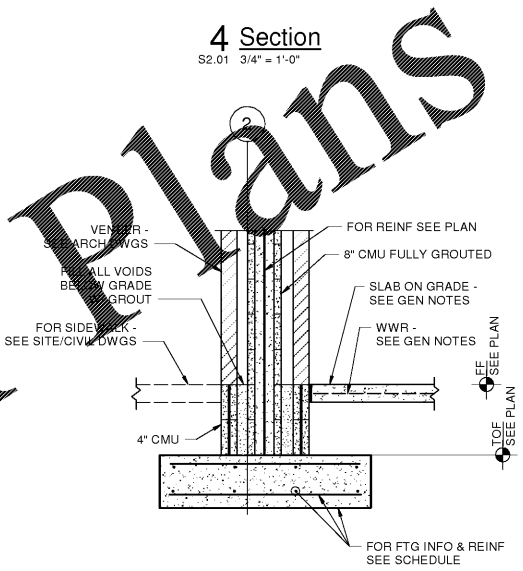
3 Section
 S2.01 3/4" = 1'-0"



4 Section
 S2.01 3/4" = 1'-0"



5 Section
 S2.01 3/4" = 1'-0"



6 Section
 S2.01 3/4" = 1'-0"

Order Plans

REV	DATE	DESCRIPTION

DATE: OCTOBER 6, 2017
 PROJECT: 100% CONSTRUCTION DOCUMENTS

DRAWN BY: DAVIS ARCHITECTS PROJECT NO: 3822

SHEET TITLE: Sections

DRAWING NO: