



HOMWOOD PATRIOT PARK POOL

HOMWOOD PARKS AND RECREATION: HOMWOOD, AL

DAVIS ARCHITECTS

OWNER: HOMWOOD PARKS AND RECREATION
 1632 OAKWOOD ROAD
 HOMWOOD, AL 35209
 205-332-6704
 ATTN: BEVERLY SQUIRES

ARCHITECT: DAVIS ARCHITECTS, INC.
 120 23RD STREET SOUTH
 BIRMINGHAM, AL 35233
 205-332-7482
 ATTN: JIM HARTSELL

LANDSCAPE ARCHITECT: HNP
 1914 28TH AVE S.
 BIRMINGHAM, AL 35209
 205-324-4447
 ATTN: TOMMY HOLCOMBE / ED NORTON

CONSTRUCTION MANAGER: DL HARBERT
 820 SHADES CREEK PARKWAY, SUITE 3000
 BIRMINGHAM, AL 35209
 205-862-2900
 ATTN: JOHN HANSON

STRUCTURAL ENGINEER: LBVD INC.
 716 SOUTH 30TH STREET
 BIRMINGHAM, AL 35233
 205-251-4500
 ATTN: WARD BISHOP / BRAD CHRISTOPHER

MECHANICAL ENGINEER: WHITAKER & RAWSON
 3332 OLD MONTGOMERY HIGHWAY
 SUITE 103
 BIRMINGHAM, AL 35209
 205-949-5128
 ATTN: MARK D'ANDREA AND DAN WHITAKER

CIVIL ENGINEER: LBVD INC.
 716 SOUTH 30TH STREET
 BIRMINGHAM, AL 35233
 205-251-4500
 ATTN: CURTIS EATMAN AND BRAIN HATCHER

ELECTRICAL ENGINEER: FISHER ARNOLD
 1507 ALEX DR.
 SUITE 101
 BIRMINGHAM, AL 35210
 205-833-7033
 ATTN: JOSEPH KUMU AND NICHOLAS BROWN

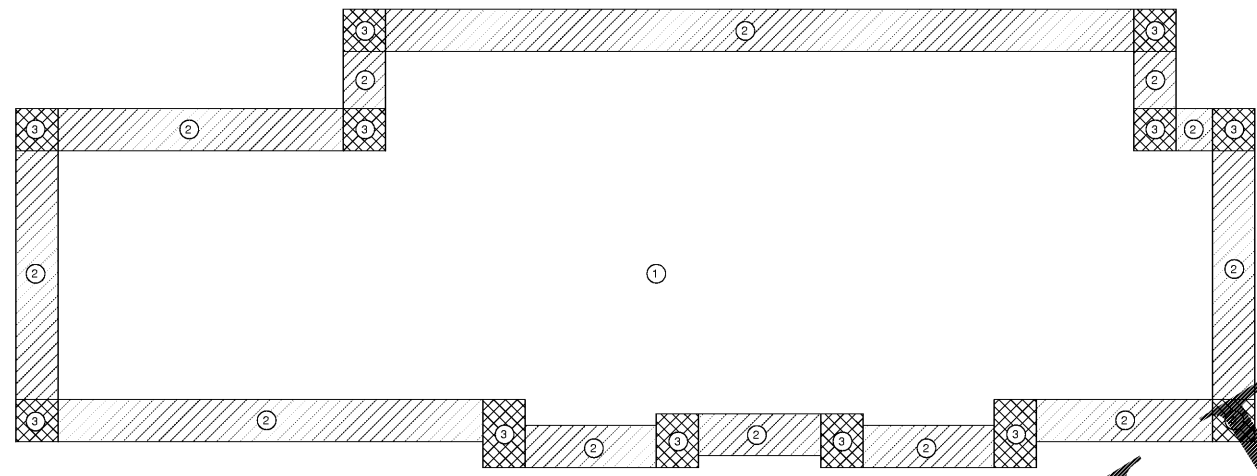
PLUMBING / FIRE PROTECTION ENGINEER: WHITAKER & RAWSON
 3332 OLD MONTGOMERY HIGHWAY
 SUITE 103
 BIRMINGHAM, AL 35209
 205-949-5107
 ATTN: ERIC HARTWIG

POOL CONSULTANT: COUNCILMAN HUNSAKE
 10733 SUNSET OFFICE DRIVE
 SUITE 400
 ST. LOUIS, MO 63127
 314 894 1245
 ATTN: JEFF NODORFT

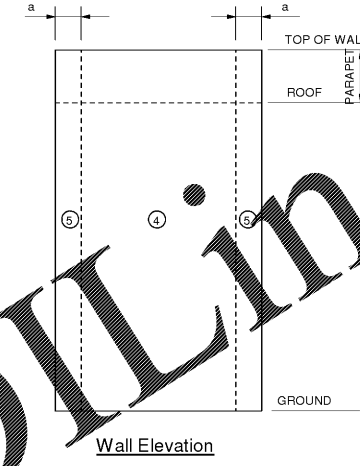
Components and Cladding Wind Pressures

ZONE	EFFECTIVE WIND AREA (SQ FT)	MAX +VE PRESSURE (PSF)	MAX -VE PRESSURE (PSF)
ZONE 1 ROOF INTERIOR ZONE	10	9.7	-23.8
	20	9.1	-23.2
	50	8.3	-22.4
ZONE 2 ROOF EDGE ZONE	10	9.7	-40.0
	20	9.1	-35.8
	50	8.3	-30.1
ZONE 3 ROOF CORNER ZONE	10	9.7	-60.2
	20	9.1	-49.9
	50	8.3	-36.2
ZONE 4 WALL INTERIOR ZONE	10	21.8	-23.6
	20	20.8	-22.6
	50	19.6	-21.4
ZONE 5 WALL EDGE ZONE	10	21.8	-23.6
	20	20.8	-22.6
	50	19.6	-21.4
	100	18.6	-20.4
	≥500	16.4	-18.2

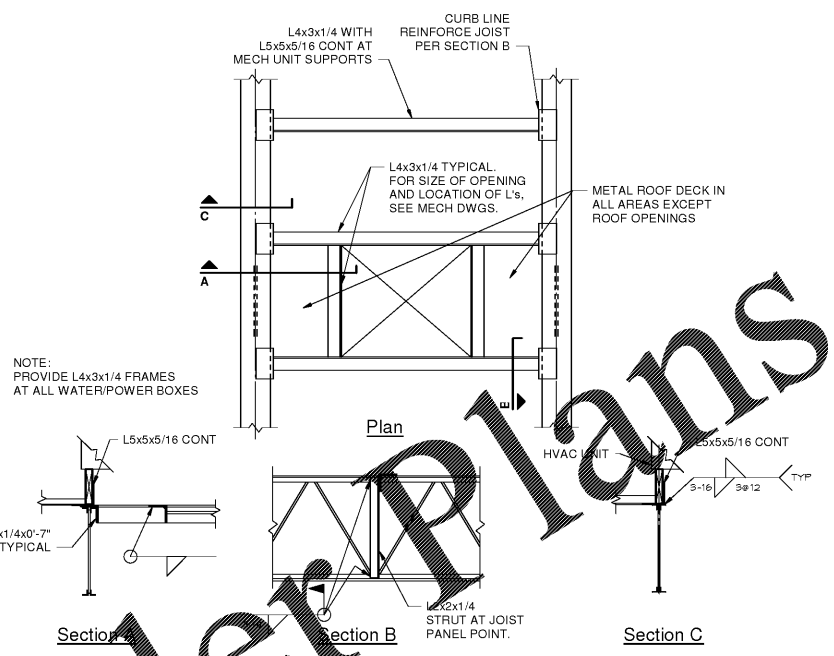
WIDTH OF EDGE STRIP, $a = 3'-7"$
 INTERNAL PRESSURE COEFFICIENT = ± 0.18



Roof Wind Uplift Diagram

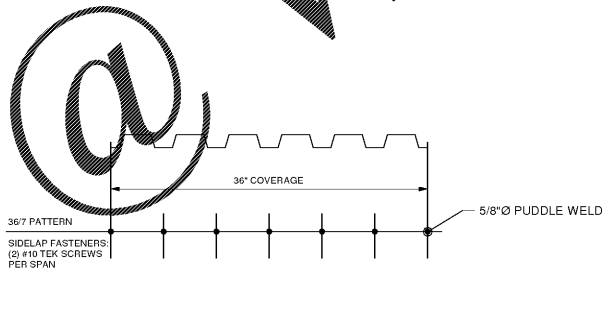


Wall Elevation

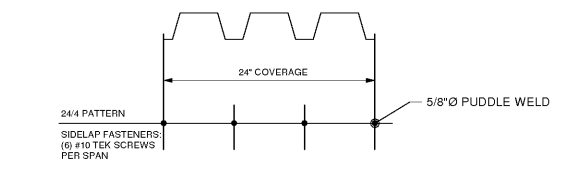


Roof Equipment and Opening Frame Detail

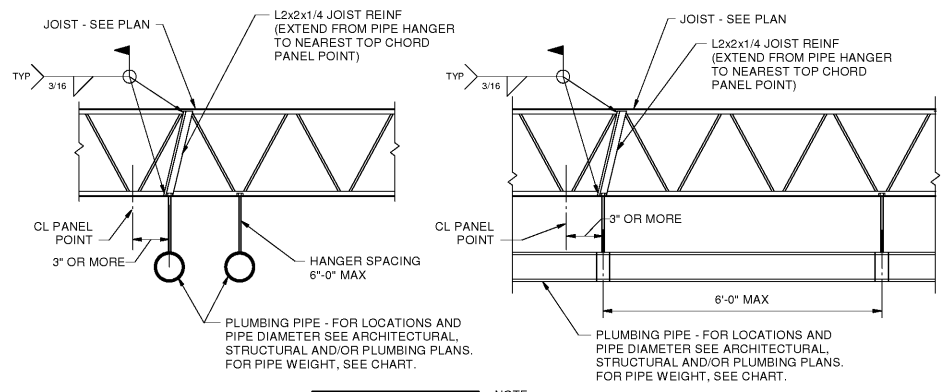
At All Openings in Roof Larger Than 8"



1 1/2" Roof Deck Attachment Pattern Layout



3" Roof Deck Attachment Pattern Layout



NOMINAL PIPE Ø (IN.)	WEIGHT OF PIPE&WATER (lb/ft)
4	17.9
5	25.5
6	34.7
8	55.3
10	82.1
12	108.5
14	125.7
16	155.9
18	189.0

Joist Reinforcement Pipe Hanger Detail

NOTE: JOIST SUPPLIER TO DESIGN JOIST FOR ADDITIONAL PIPING LOAD. CONTRACTOR TO COORDINATE PIPE SIZES & LOCATIONS W/ JOIST SUPPLIER. JOIST MANUFACTURER TO VERIFY 3" DIMENSION AND MAXIMUM CONCENTRATED LOAD FOR TOP AND BOTTOM CHORD REINFORCEMENT REQUIREMENTS. GENERAL CONTRACTOR AND JOIST MANUFACTURER TO COORDINATE 3" DISTANCE AND CONCENTRATED LOAD AMOUNT AND PROVIDE DETAILS ON JOIST SHOP DRAWINGS.

REV	DATE	DESCRIPTION

DATE: OCTOBER 6, 2017
 100% CONSTRUCTION DOCUMENTS

PROJECT NO. 3822
 DAVIS ARCHITECTS

Typical Details & Components & Cladding

DRAWING NO.