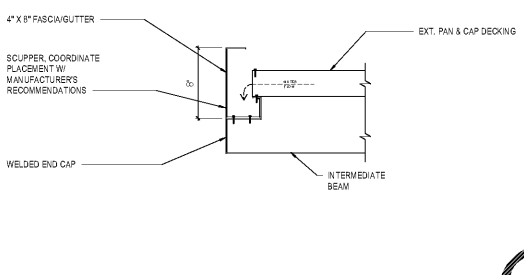
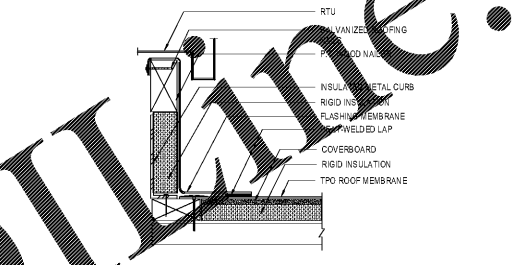


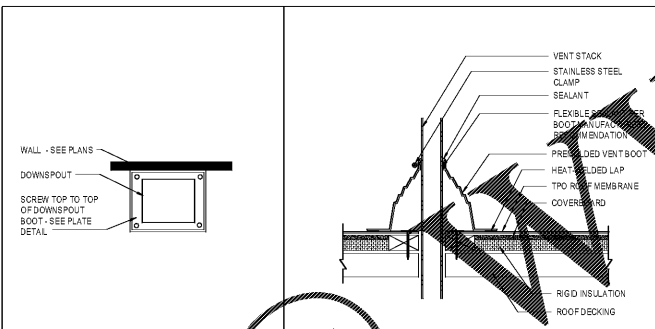
K11 CANOPY @ WALL
A1 / A2.02 SCALE: 1 1/2" = 1'-0"



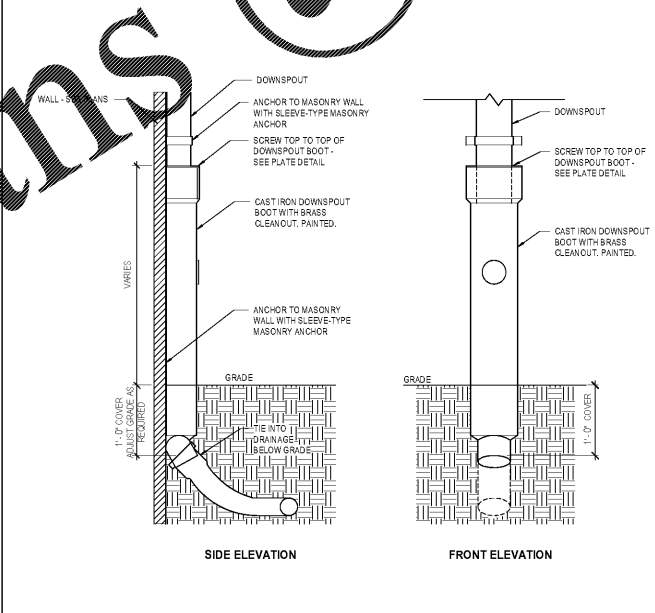
M15 CANOPY GUTTER DETAIL
A1 / A2.02 SCALE: 1 1/2" = 1'-0"



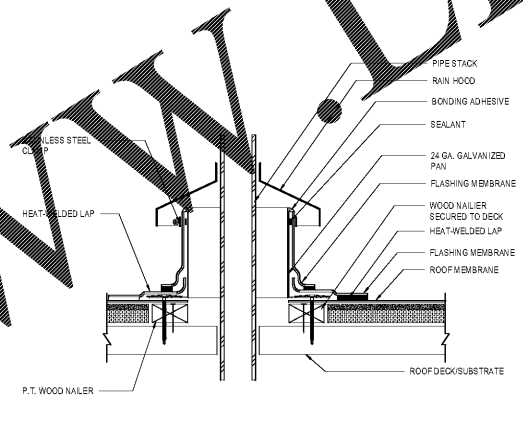
K15 RTU CURB
A1 / A2.02 SCALE: 3" = 1'-0"



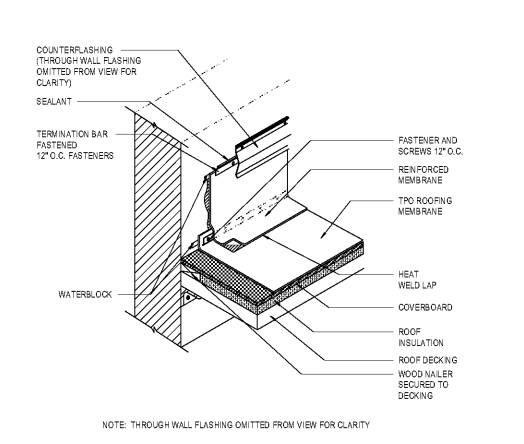
F6 DOWNSPOUT BOOT PLAN **F8 VENT BOOT**
SCALE: 1 1/2" = 1'-0" SCALE: 1 1/2" = 1'-0"



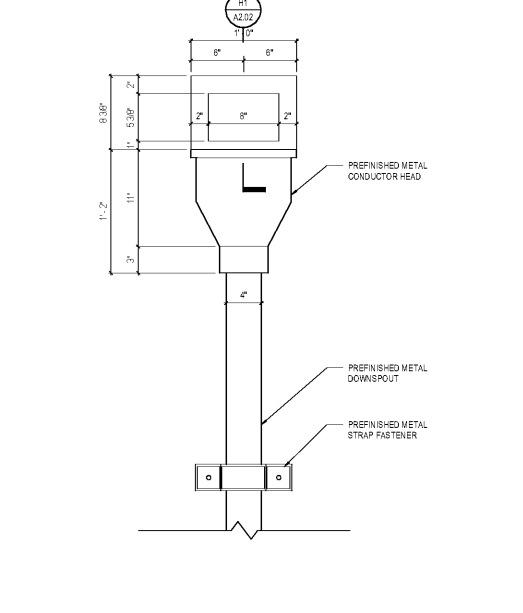
A5 DOWNSPOUT BOOT
SCALE: 1" = 1'-0"



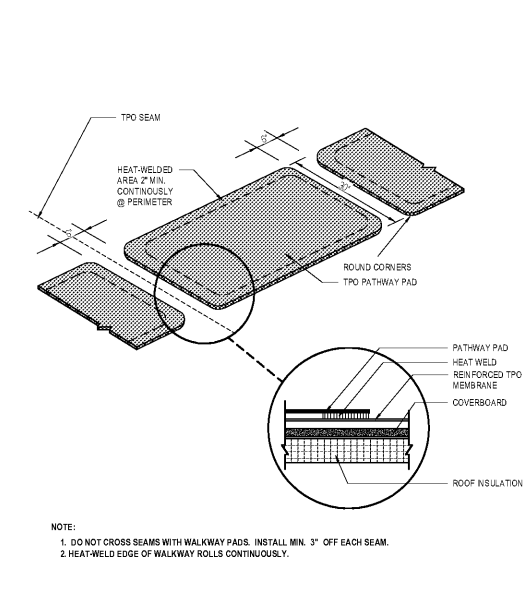
F11 TPO HOT PIPE ROOF PENETRATION
SCALE: 3" = 1'-0"



F15 TPO TERMINATION BAR
A10 A3.70 SCALE: 1 1/2" = 1'-0"



A11 CONDUCTOR HEAD DETAIL
SCALE: 1 1/2" = 1'-0"



A15 TPO PATHWAY PAD
SCALE: 3/4" = 1'-0"



HOMWOOD PATRIOT PARK POOL

HOMWOOD PARKS AND RECREATION

DAVIS ARCHITECTS

OWNER:
HOMWOOD PARKS AND RECREATION
1632 OXMOOR ROAD
HOMWOOD, AL 35209
205-322-6704
ATTN: BENJAMIN SQUIRES

ARCHITECT:
DAVIS ARCHITECTS, INC.
120 23RD STREET SOUTH
BIRMINGHAM, AL 35233
205-322-7482
ATTN: JIM HARTSELL

LANDSCAPE ARCHITECT:
HNP
1914 28TH AVE S
BIRMINGHAM, AL 35209
205-324-4447
ATTN: TOMMY HOLCOMBE / ED NORTON

CONSTRUCTION MANAGER:
BL HARBERT
820 SHADES CREEK PARKWAY, SUITE 3000
BIRMINGHAM, AL 35209
205-982-2900
ATTN: JOHN HANSON

STRUCTURAL ENGINEER:
LEYD INC.
716 SOUTH 30TH STREET
BIRMINGHAM, AL 35233
205-251-4500
ATTN: WIM BISHOP / BRAD CHRISTOPHER

MECHANICAL ENGINEER:
WHITAKER & RAWSON
SUITE 103
3332 OLD MONTGOMERY HIGHWAY
BIRMINGHAM, AL 35209
205-949-5128
ATTN: MARK D'ANDREA AND DAN WHITAKER

CIVIL ENGINEER:
LEYD INC.
716 SOUTH 30TH STREET
BIRMINGHAM, AL 35233
205-251-4500
ATTN: CURTIS EATMAN AND BRIAN HATCHER

ELECTRICAL ENGINEER:
FISHER ARNOLD
1507 ALEX DR.
SUITE 101
BIRMINGHAM, AL 35210
205-833-7033
ATTN: JOSEPH KUMU AND NICHOLAS BROWN

PLUMBING / FIRE PROTECTION ENGINEER:
WHITAKER & RAWSON
3332 OLD MONTGOMERY HIGHWAY
SUITE 103
BIRMINGHAM, AL 35209
205-949-5107
ATTN: ERIK HARTWIG

POOL CONSULTANT:
COUNSILMAN HUNSAKE
10733 SUNSET OFFICE DRIVE
SUITE 400
ST. LOUIS, MO 63127
314-894-1245
ATTN: JEFF NODORFT

REV	DATE	DESCRIPTION

DATE: OCTOBER 6, 2017
PROJECT: 100% CONSTRUCTION SET
SHEET NO: 3822

ROOF DETAILS
DRAWING NO. **A2.03**

Order Plans @ www.dwdline.com