



HOMWOOD PATRICK PARK POOL



HOMWOOD PARKS AND RECREATION
HOMWOOD, AL

DAVIS ARCHITECTS

OWNER
HOMWOOD PARKS AND RECREATION
1632 OAKWOOD ROAD
HOMWOOD, AL 35209
205-322-6704
ATTN: BERKLEY SQUIRES

ARCHITECT
DAVIS ARCHITECTS, INC.
120 23RD STREET SOUTH
BRIMMINGHAM, AL 35233
205-322-7482
ATTN: JIM HARTSELL

LANDSCAPE ARCHITECT
HNP
1914 28TH AVE S
BRIMMINGHAM, AL 35209
205-324-4447
ATTN: TOMMY HOLCOMBE / ED NORTON

CONSTRUCTION MANAGER
BL HARBERT
820 SHADES CREEK PARKWAY, SUITE 3000
BRIMMINGHAM, AL 35209
205-982-2900
ATTN: JOHN HANSON

STRUCTURAL ENGINEER
LEYD INC.
716 SOUTH 30TH STREET
BRIMMINGHAM, AL 35233
205-251-4500
ATTN: WIM BISHOP / BRAD CHRISTOPHER

MECHANICAL ENGINEER
WHITAKER & RAWSON
3332 OLD MONTGOMERY HIGHWAY
SUITE 103
BRIMMINGHAM, AL 35209
205-949-5128
ATTN: MARK D'ANDREA AND DAN WHITAKER

CIVIL ENGINEER
LEYD INC.
716 SOUTH 30TH STREET
BRIMMINGHAM, AL 35233
205-251-4500
ATTN: CURTIS EATMAN AND BRIAN HATCHER

ELECTRICAL ENGINEER
FISHER ARNOLD
1507 ALEX DR.
SUITE 101
BRIMMINGHAM, AL 35210
205-833-7633
ATTN: JOSEPH KUMU AND NICHOLAS BROWN

PLUMBING / FIRE PROTECTION ENGINEER
WHITAKER & RAWSON
3332 OLD MONTGOMERY HIGHWAY
SUITE 103
BRIMMINGHAM, AL 35209
205-949-5107
ATTN: ERIC HARTWIG

POOL CONSULTANT
COUNSILMAN HUNSAKE
10733 SUNSET OFFICE DRIVE
SUITE 400
ST. LOUIS, MO 63127
314-894-1245
ATTN: JEFF NODORFT

OCCUPANCY LEGEND

	ASSEMBLY CONCENTRATED	(1 \$PERSON)
	ASSEMBLY FIXED	(1 \$PERSON)
	BUSINESS	(200 \$PERSON)
	KITCHEN	(200 \$PERSON)
	MECHANICAL / ELECTRICAL	(300 \$PERSON)
	POOL DECK	(15 \$PERSON)
	SWIMMING POOL	(15 \$PERSON)
	STORAGE / ACCESSORY	(300 \$PERSON)
	LOCKER ROOM	(50 \$PERSON)

FIRE EXTINGUISHER

	APW/WATER MIST FIRE EXTINGUISHER; POOL EQUIPMENT ROOM
	TYPICAL FIRE EXTINGUISHER
	TYPE K FIRE EXTINGUISHER; COOKING OILS OR FATS
	FIRE EXTINGUISHER CABINET (TYPE A-B-C FIRE EXTINGUISHER INCLUDED)

SYMBOLS LEGEND

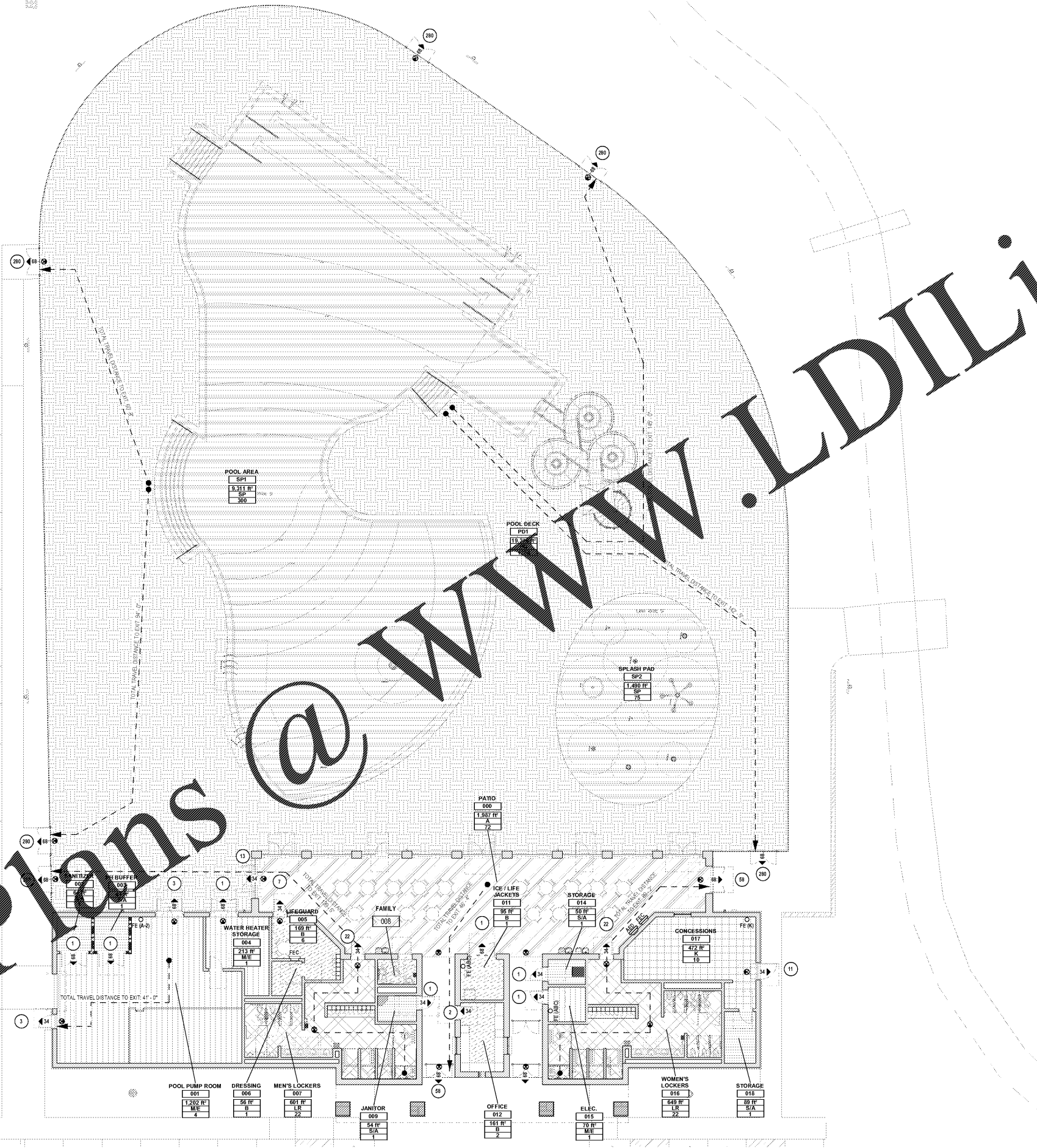
	PATH OF EGRESS / EXIT DISTANCE
	OCCUPANT LOAD AT EXIT
	EGRESS WIDTH AT EXIT
	EXIT SIGN (LIGHTED FACE SHADOW)
	AUTOMATED EXTERNAL DEPRESSURIZATION
	ROOM NAME AND NUMBER
	SQUARE FOOTAGE TYPE AND OCCUPANCY
	ONE HOUR RATED FIRE BARRIER

REV	DATE	DESCRIPTION
001	OCTOBER 6, 2017	
002		100% CONSTRUCTION SET
003		
004		
005		

DESIGNED BY: DAVIS ARCHITECTS PROJECT NO: 3822

SHEET TITLE: LIFE SAFETY PLAN - LEVEL 1

DRAWING NO: LS1.01



A1 LIFE SAFETY PLAN

SCALE: 1" = 10'-0"



Order Plans @ WWW.LDILine.com